

FAN SHROUD KIT, TYPE 3R



INDUSTRY STANDARDS

Maintains UL/cUL Type 3R rating when properly installed on a UL/cUL Type 3R enclosure.

UL 508A Listed; Type 3R; File No. E61997
 cUL Listed per CSA C22.2 No. 94; Type 3R; File No. E61997

NEMA/EEMAC Type 3R
 IEC 60529, IP22

APPLICATION

Fan Shroud Kits protect outdoor enclosure openings from rain, sleet and snow.

FEATURES

- Two fan shrouds per package
- Perforated ventilation screen
- Pressure-sensitive adhesive-backed gasket and mounting hardware

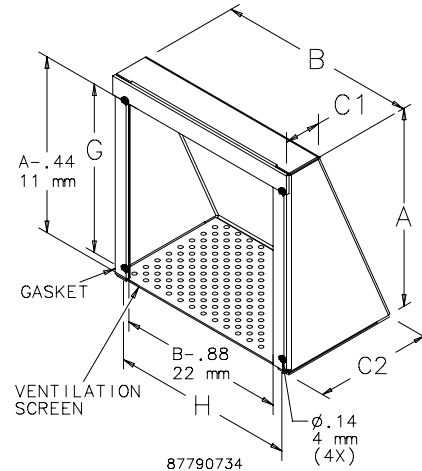
SPECIFICATIONS

- 16 gauge mild steel or Type 304 stainless steel

FINISH

ANSI 61 gray polyester powder coating over mild steel; smooth #4 brushed finish on stainless steel

BULLETIN: D85



Standard Product

Catalog Number	Material	A (in.)	A (mm)	B (in.)	B (mm)	C1 (in.)	C1 (mm)	C2 (in.)	C2 (mm)	G (in.)	G (mm)	H (in.)	H (mm)
T4S3R	Steel	6.00	152	6.00	152	1.44	37	4.69	119	4.69	119	5.25	133
T6S3R	Steel	8.00	203	8.00	203	1.44	37	4.69	119	6.69	170	7.25	184
T10S3R	Steel	12.00	305	12.00	305	1.44	37	4.71	120	10.69	272	11.25	286
T4S3RSS	Stainless Steel	6.00	152	6.00	152	1.44	37	4.69	119	4.69	119	5.25	113
T6S3RSS	Stainless Steel	8.00	203	8.00	203	1.44	37	4.69	119	6.69	170	7.25	184
T10S3RSS	Stainless Steel	12.00	305	12.00	305	1.44	37	4.71	120	10.69	272	11.25	286

Usage Chart

Catalog Number	Compact Cooling (muffin) Fans (4 in.)	Compact Cooling (muffin) Fans (6 in.)	Compact Cooling (muffin) Fans (10 in.)	Cooling and Exhaust Fan Packages (TFP4-)	Cooling and Exhaust Fan Packages (TFP6-)	Filter Fan Packages (HF05-)	Filter Fan Packages (HF09-)	Filter Fan Packages (HF10-)
T4S3R	•							
T6S3R	•	•				•		
T10S3R	•	•	•	•	•	•	•	•
T4S3RSS	•							
T6S3RSS	•	•				•		
T10S3RSS	•	•	•	•	•	•	•	•

Notes