

**FLAT COVER WITH SCREWS, TYPE 4X**

**INDUSTRY STANDARDS**

UL 508A Listed; Type 3, 3R, 4, 4X, 12, 13; File No. E54315  
 cUL Listed per CSA C22.2 No 94; Type 3, 3R, 4, 4X, 12, 13; File No. E54315  
 Enclosure flammability per UL 508A

NEMA/EEMAC Type 3, 3R, 4, 4X, 12, 13  
 CSA File No. 217184: Type 3, 3R, 4, 4X, 12, 13  
 IEC 60529, IP66  
 Meets NEMA Type 3RX requirements

**APPLICATION**

Enclosures feature a flat, overlapping cover design that ensures a more secure seal. Available with removable and hinged covers for application flexibility.

**SPECIFICATIONS**

- Compression-molded fiberglass construction
- Overlapping flat, solid-covers
- Cover fastens with screws
- Type 304 stainless steel piano hinges on hinged models
- Integral mounting brackets
- Enclosures protect equipment and operators from indirect electrical contact
- Material is halogen free

**FINISH**

Standard fiberglass material finish is RAL 7035 light-gray inside and out. Optional steel panels are painted white. Optional stainless steel, aluminum, conductive and composite panels are unpainted.

**ACCESSORIES**

*See also Accessories.*  
 H2OMIT Vent Drains, Type 4X  
 HOL-SEALERS Non-Metallic Hole Seals  
 Panels for Junction Boxes  
 Swing-Out Panel Kit  
 Terminal Block Kit Assembly for Junction Boxes Overview

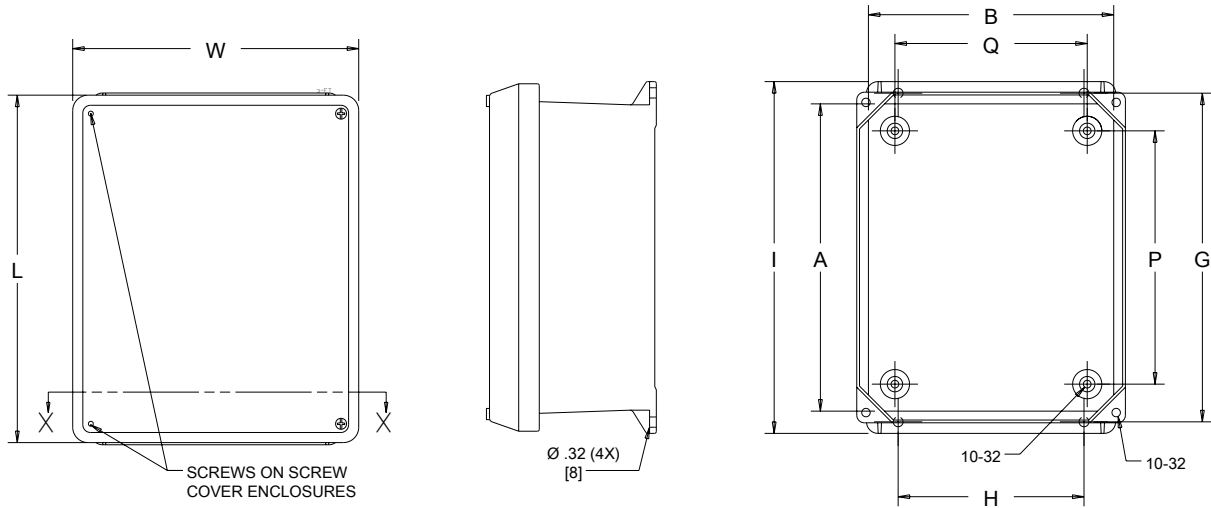
**BULLETIN: HJ**

Standard Product

Catalog Number	AxBxC in./mm	Door Fasteners	D in./mm	F in./mm	G in./mm	H in./mm	I in./mm	J in./mm	L in./mm	P in./mm	Q in./mm	W in./mm	Steel Panel	Aluminum Panel	Panel Size in./mm
HJ606HWLG	5.71 x 5.72 x 4.05 145 x 145 x 103	Hinged, 2 screws	4.90 125	4.62 118	6.75 171	4.00 102	7.51 191	4.28 109	7.31 186	4.25 108	4.25 108	7.31 186	A6P6	A6P6AL	4.88 x 4.88 124 x 124
HJ606WLG	5.71 x 5.72 x 4.05 145 x 145 x 103	4 screws	4.90 125	4.62 118	6.75 171	4.00 102	7.51 191	4.28 109	7.31 186	4.25 108	4.25 108	7.31 186	A6P6	A6P6AL	4.88 x 4.88 124 x 124
HJ806HWLG	7.71 x 5.72 x 4.05 196 x 145 x 103	Hinged, 2 screws	4.90 125	4.62 118	8.75 222	4.00 102	9.51 242	4.28 109	9.31 236	6.25 159	4.25 108	7.31 186	A8P6	A8P6AL	6.75 x 4.88 171 x 124
HJ806WLG	7.71 x 5.72 x 4.05 196 x 145 x 103	4 screws	4.90 126	4.62 118	8.75 222	4.00 102	9.51 242	4.28 109	9.31 236	6.25 159	4.25 108	7.31 186	A8P6	A8P6AL	6.75 x 4.88 171 x 124
HJ1008HWLG	9.71 x 7.21 x 4.30 247 x 196 x 109	Hinged, 2 screws	5.15 131	4.88 125	10.75 273	6.00 152	11.51 292	4.28 109	11.25 286	8.25 210	6.24 158	9.25 235	A10P8	A10P8AL	8.75 x 6.88 222 x 102
HJ1008WLG	9.71 x 7.21 x 4.30 247 x 196 x 109	4 screws	5.15 131	4.88 125	10.75 273	6.00 152	11.51 292	4.28 109	11.25 286	8.25 210	6.24 158	9.25 235	A10P8	A10P8AL	8.75 x 6.88 222 x 102
HJ1210HWLG	11.68 x 9.69 x 4.62 297 x 246 x 117	Hinged, 2 screws	5.42 138	5.20 132	12.75 324	8.00 203	13.51 343	4.66 118	13.23 336	10.25 260	8.25 210	11.23 285	A12P10	A12P10AL	10.75 x 8.88 273 x 226
HJ1210WLG	11.68 x 9.69 x 4.62 297 x 246 x 117	4 screws	5.42 138	5.20 132	12.75 324	8.00 203	13.51 343	4.66 118	13.23 336	10.25 260	8.25 210	11.23 285	A12P10	A12P10AL	10.75 x 8.88 273 x 226
HJ1412HWLG	13.81 x 11.81 x 5.99 351 x 300 x 152	Hinged, 2 screws	6.79 172	6.44 164	14.75 375	10.00 254	15.51 394	5.63 143	15.29 388	10.25 260	12.25 311	13.29 338	A14P12	A14P12AL	12.75 x 10.88 324 x 276
HJ1412WLG	13.81 x 11.81 x 5.99 351 x 300 x 152	4 screws	6.79 172	6.44 164	14.75 375	10.00 254	15.51 394	5.63 143	15.29 388	10.25 260	12.25 311	13.29 338	A14P12	A14P12AL	12.75 x 10.88 324 x 276
HJ1614HWLG	15.81 x 13.81 x 5.99 402 x 351 x 152	Hinged, 2 screws	6.68 170	6.44 164	16.75 425	12.00 305	17.51 445	5.63 143	17.29 439	14.25 362	12.25 311	15.29 388	A16P14	A16P14AL	14.75 x 12.88 375 x 327
HJ1614WLG	15.81 x 13.81 x 5.99 402 x 351 x 152	4 screws	6.68 170	6.44 164	16.75 425	12.00 305	17.51 445	5.63 143	17.29 439	14.25 362	12.25 311	15.29 388	A16P14	A16P14AL	14.75 x 12.88 375 x 327
HJ1816HWLG	17.81 x 15.81 x 8.86 452 x 402 x 225	Hinged, 2 screws	9.55 243	9.32 237	18.75 476	12.00 305	19.51 495	8.56 217	19.29 790	16.25 413	14.25 362	17.29 439	A18P16	A18P16AL	16.75 x 14.88 425 x 378
HJ1816WLG	17.81 x 15.81 x 8.86 452 x 402 x 225	4 screws	9.55 243	9.32 237	18.75 476	12.00 305	19.51 495	8.56 217	19.29 790	16.25 413	14.25 362	17.29 439	A18P16	A18P16AL	16.75 x 14.88 375 x 378

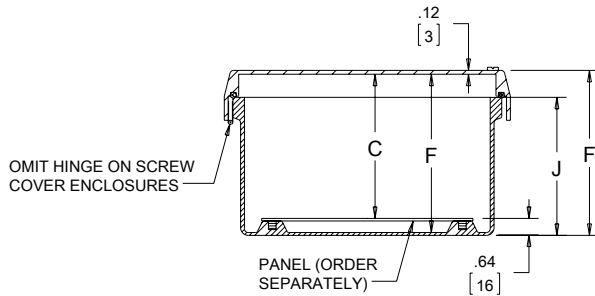
A x B x C are internal dimensions.

Purchase panels separately. Optional stainless steel, composite and aluminum panels are available for most sizes.



TOP VIEW WITH DOOR/COVER REMOVED

87575746



SECTION X-X