

SYSPEND VHD-MOTION ARM, TYPE 4



INDUSTRY STANDARDS

Maintains NEMA Type 4 and 12 and IEC IP66 enclosure rating when properly installed per Hoffman instructions.

APPLICATION

Heavy-duty vertical motion pendant arm effortlessly lifts, lowers and repositions HMI enclosures in NEMA Type 4 and 12 environments. Two arm lengths are available with field-adjustable counterbalances to support loads up to 125 lb. No release handle is required to operate the arm.

FEATURES

- 26-in. arm supports loads of 45-125 lb. with 13-in. of vertical height adjustment
- 36-in. arm supports loads of 25-75 lb. with 20-in. of vertical height adjustment

- Field-adjustable gas spring counterbalance allows the user to adjust lifting force by turning an adjustment mechanism under the arm
- Angle of gas springs is adjustable (not the pressure); allows lifting force to be increased or decreased at any time for changes in load
- Tension adjustment at front of the arm provides additional fine-tuning of lifting force
- No locking enclosure handle required; enclosure stays in place after repositioning
- Easily interfaces with Hoffman HMI enclosures using a 60-x-60-mm enclosure mounting pattern (enclosure must be ordered separately)
- 1.3-in. internal cable pathway maintains NEMA Type 4 and 12 enclosure rating and protects wires and cables
- Gasketed mounting surfaces at both ends of arm maintain seal integrity
- Enclosure and arm can be swiveled 330 degrees with swivel stops available in 30-degree increments
- Standard models are available with machine-top mounting (wall-mount and post-mount adapters sold separately)
- Optional floorpost available

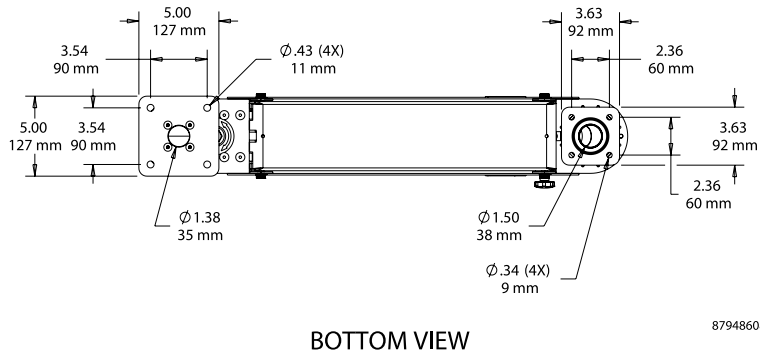
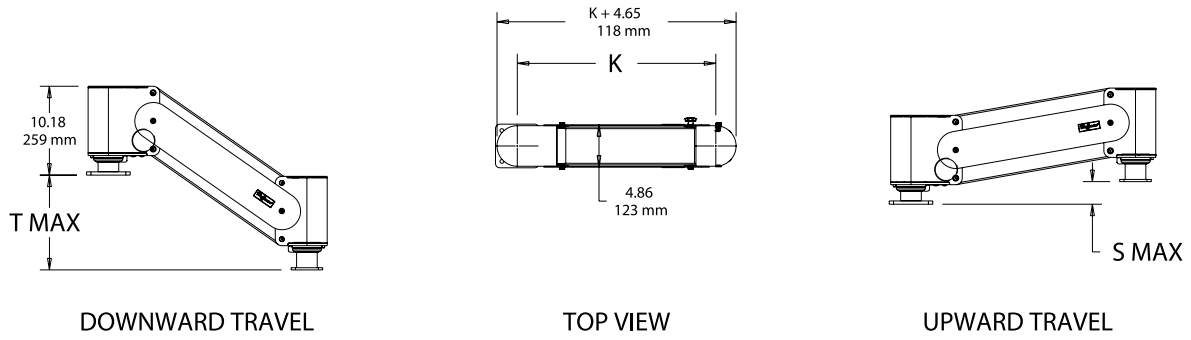
SPECIFICATIONS

- Mild steel construction
- RAL 7035 light-gray finish with black end supports
- Gas spring counterbalance

BULLETIN: DMID, VM2

Standard Product

Catalog Number	AxBxC in./mm	Description	Wall-Mount Adapter	Post-Mount Adapter	Load Capacity (lb.)	Load Capacity (kg)	Arm Length mm/in.	Arm Weight (lbs.)	K in./mm	S in./mm	T in./mm
VHD26	10.18 x 30.65 x 4.86 259 x 779 x 123	VHD-Motion Arm, 26-in. Machine-Top Mount	VHDWALL	VHDPOST	45-125	20-57	25	54	26.00 660	3.00 76	10.00 254
VHD36	10.18 x 40.65 x 4.86 259 x 1033 x 123	VHD-Motion Arm, 36-in. Machine-Top Mount	VHDWALL	VHDPOST	25-75	11-37	27	60	36.00 914	4.00 102	16.00 406



87948608

BOTTOM VIEW

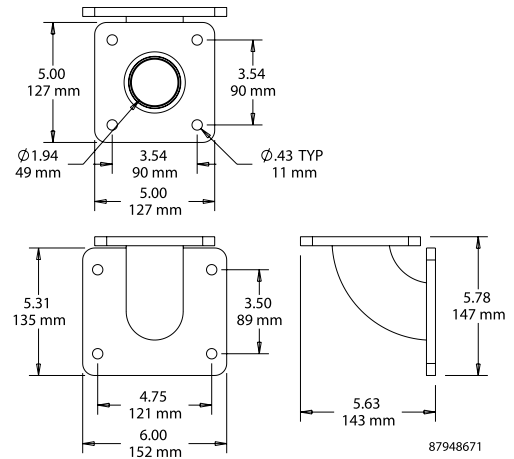
WALL-MOUNT ADAPTER


Order separately when installing the SYSPEND VHD-Motion Arm to a wall or vertical surface.

- RAL 7035 light-gray polyester powder paint finish
- Includes hardware to mount the adapter to the arm
- Hardware for mounting to the wall is not included

BULLETIN: VM2

Catalog Number	AxBxC in./mm	Description	Weight (lb.)	Weight (kg)
VHDWALL	5.78 x 5.63 x 5.00 147 x 143 x 127	VHD-Motion Arm Wall-Mount Adapter	10.0	4.54

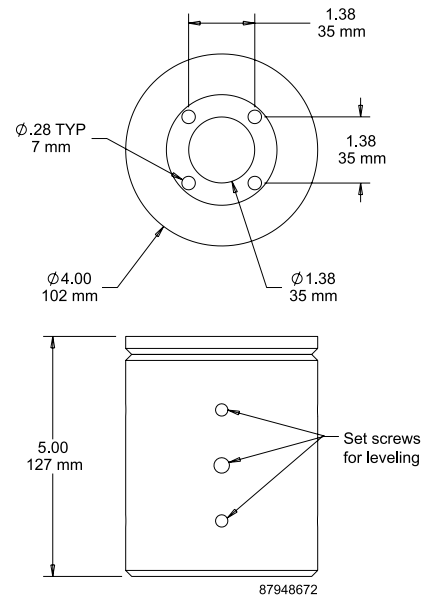

POST-MOUNT ADAPTER


Order separately when installing the SYSPEND VHD-Motion Arm to a 3.5-in. OD tube.

- RAL 7035 light-gray polyester powder paint finish
- Includes hardware to mount the adapter to the arm and setscrews for mounting to a tube

BULLETIN: VM2

Catalog Number	AxBxC in./mm	Description	Weight (lb.)	Weight (kg)
VHDPOST	5.00 x 4.00 x 4.00 127 x 102 x 102	VHD-Motion Arm Post-Mount Adapter	6.5	2.95



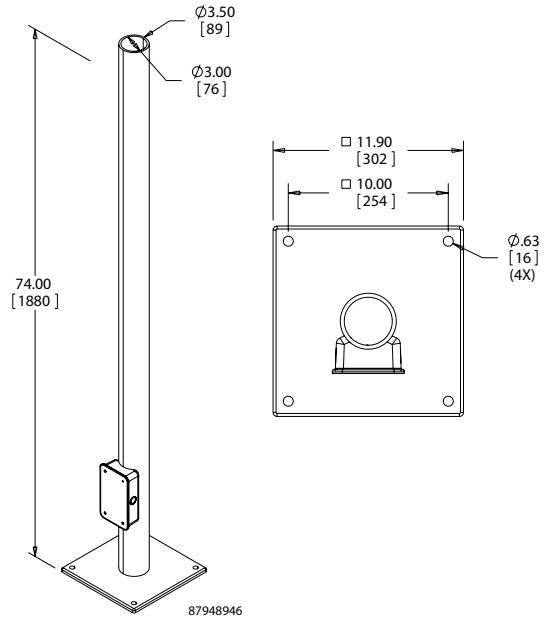
FLOORPOST WITH JUNCTION BOX



- Provides method for mounting the SYSPEND VL and VHD Motion Arms when a structural surface is not available.
- Heavy-wall 3.5-in. structural tube welded to a 12 x 12 x 3/8-in.-thick baseplate
 - Provides a “rough-in” point and pull box for power and network field wiring
 - Includes internal CAT5 coupler and finger-safe power terminals
 - Two conduit knock-outs can be opened to either 1/2 in. or 3/4 in.
 - Fully gasketed 16 gauge cover panel on junction box can be used for additional conduit attachment
 - Tough, molded ABS junction box is contoured to fit the post and is fluted into the post to protect cables

BULLETIN: VM4

Catalog Number	AxBxC in./mm	Description	Weight (lb.)	Weight (kg)
FLOORPOST	11.90 x 11.90 x 74.00 302 x 302 x 1880	Floorpost with Junction Box	65.0	29.48



HANDLES



Accessory handle kits are available to allow for easy repositioning of the enclosure. Handles attach inside enclosure with provided hardware. Handles are not required to use the SYSPEND VHD-Motion Arm.

BULLETIN: C2, CC3

Catalog Number	Description	Weight (lb.)
CHDLK	One pair of handles and mounting hardware	1.7