

PROTECTIVE CAGE FOR OCCUPANCY SENSORS

| WC

Helps prevent occupancy sensors from being tampered with or damaged

Constructed from strong, durable coated steel wire



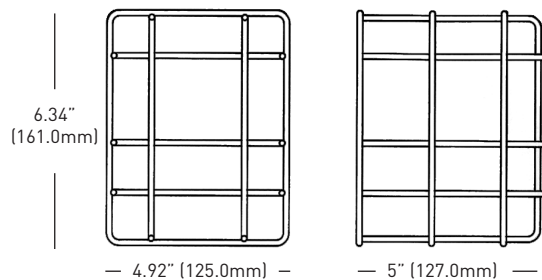
Simple installation

Description

Wattstopper protective wire cages enclose our occupancy sensors in a safe cage that prevents the units from being tampered with or damaged. The cages use a strong, durable, web-like design and are constructed with 3/16" coated steel wire. They are ideal for installation in gymnasiums, racquetball courts, classrooms and other institutional facilities, or any area susceptible to vandalism. They are low in cost and simple to install. By protecting occupancy sensors from damage, they also reduce maintenance costs.

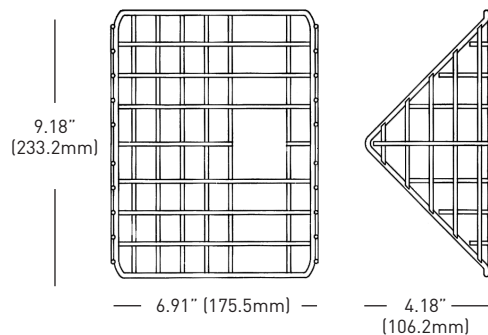
Specifications

WC-1



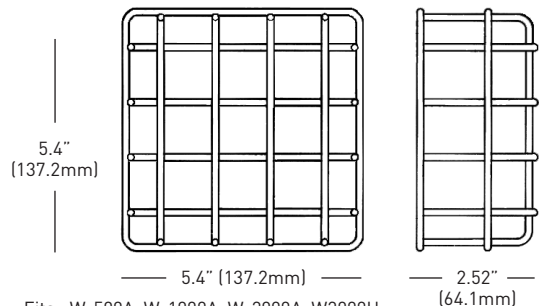
Fits: DT-200, CX-100, CB-100 for wall mounts

WC-2



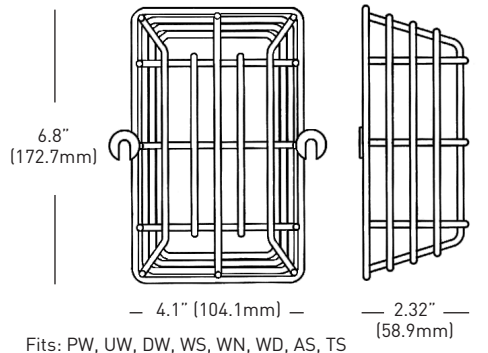
Fits: DT-200, CX-100, CB-100 for corner mounts

WC-3



Fits: W-500A, W-1000A, W-2000A, W2000H, WT, CI-200, WPIR, DT-300, UT-300, CI-300

WC-4



Fits: PW, UW, DW, WS, WN, WD, AS, TS

Ordering Information

Catalog

- WC-1 WC-2 WC-3 WC-4

PROJECT	LOCATION/ TYPE
---------	-------------------