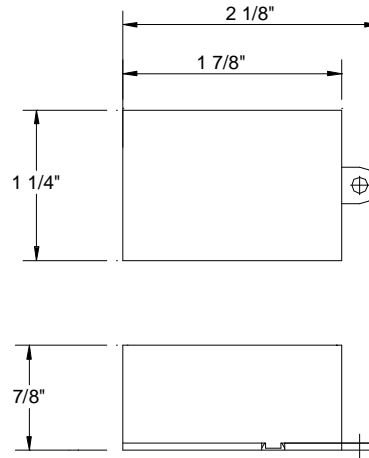


CATALOG NUMBER	TYPE
PROJECT	

LOW VOLTAGE ELECTRONIC TRANSFORMER

MODEL EN-1260-R-AR



Ordering Matrix		
Model	Finish	Accessories
[]	[]	
EN-1260-R-AR	BK	See table below

Ordering Example (model-finish) : EN-1260-R-AR-BK

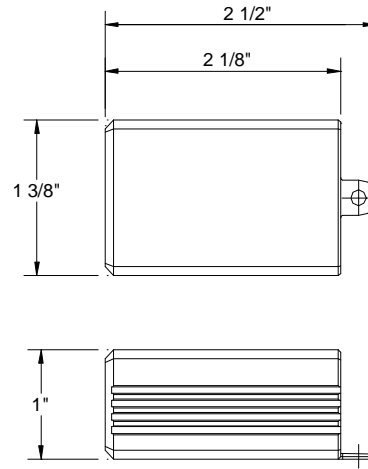
Product Details	
Description:	Low Voltage electronic transformer designed to be used as a replacement part for factory installed transformers or installed in a properly listed enclosure.
Catalog Number:	EN = Advanced electronic circuitry 1260 = 12volt , 60watt R = Replacement AR = Auto-Reset
Input:	120V (50/60Hz)
Output:	12V
Min Load:	20W
Max Load:	60W
Max Input Amp:	0.53A (@ 120V)
Frequency:	20 khz.
Dimming:	Dimmable with electronic low voltage dimmers. Dimmers should always be installed on the primary side of the transformer.
Listing:	U.L. recognized component part, File Number E204239.
Accessories:	METB – Enclosure and connection box MTB-01 – Multiple Terminal Block

Specification Features
<ul style="list-style-type: none"> U.L. 2108 listed electronic low voltage transformer. Built-in auto reset, soft start, short and overload circuit protection features. The soft start delayed start feature extends lamp life by delaying the abrupt inrush current to the lamp. In the case of a system overload or short circuit the transformer will revert to a "hold" position and then automatically reset the system when the problem is solved. System protection is designed to last several hours. True RMS meter is required to read the high frequency output. 5 year W.A.C. Lighting product warranty.

CATALOG NUMBER	TYPE
PROJECT	

LOW VOLTAGE ELECTRONIC TRANSFORMER

MODEL EN-1275-R-AR



Ordering Matrix		
Model	Finish	Accessories
EN-1275-R-AR	BK	See table below*

Ordering Example (model): EN-1275-R-AR

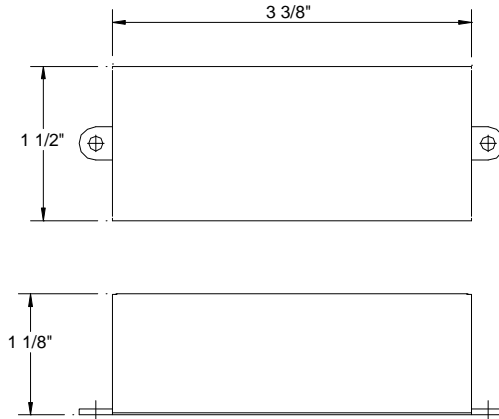
Product Details	
Description:	Low Voltage electronic transformer designed to be used as a replacement part for factory installed transformers. Transformer may be safely loaded to 100% of stated capacity.
Catalog Number Breakdown:	EN = Advanced electronic circuitry 1275 = 12volt , 75watt R = Replacement AR = Auto-Reset
Input:	120V (50/60Hz)
Output:	12V
Min Load:	20W
Max Load:	75W
Max Input Amp:	0.625A (@ 120V)
Transformer Frequency:	20khz. True RMS meter is required to read the high frequency output.
Listing:	U.L. recognized component part, File Number E204239.
Accessories:	METB – Enclosure and connection box MTB-01 – Terminal Block

Specification Features
<ul style="list-style-type: none"> U.L. 2108 listed electronic low voltage transformer. Built-in auto reset, soft start, short and overload circuit protection features. Soft start delayed start feature extends lamp life. Dimmable with electronic low voltage dimmers. Dimmers should always be installed on the primary side of the transformer. In the case of a system overload or short circuit the transformer will revert to a "hold" position and then automatically reset the system when the problem is solved. System protection is designed to last several hours. 5 year W.A.C. Lighting product warranty.

CATALOG NUMBER	TYPE
PROJECT	

LOW VOLTAGE ELECTRONIC TRANSFORMER

MODEL EN-12100-R-AR



Ordering Matrix		
Model	Finish	Accessories
[]	[]	
EN-12100-R-AR	BK	See table below

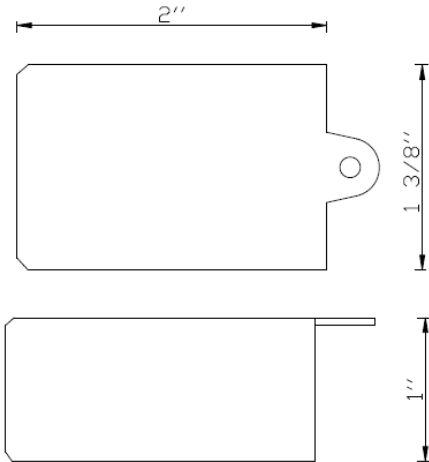
Ordering Example (model) : EN-12100-R-AR

Product Details	
Description:	Low Voltage electronic transformer designed to be used as a replacement part for factory installed transformers. Transformer may be safely loaded to 100% of stated capacity.
Catalog Number:	EN = Advanced electronic circuitry 12100 = 12volt , 100watt R = Replacement AR = Auto-Reset
Input:	120V (50/60Hz)
Output:	12V
Min Load:	35W
Max Load:	100W
Max Input Amp:	0.83A (@ 120V)
Transformer Frequency:	20khz. True RMS meter is required to read the high frequency output.
Listing:	U.L. recognized component part, File Number E204239.
Accessories:	ETB – Enclosure and connection box MTB-01 – Terminal Block

Specification Features
<ul style="list-style-type: none"> U.L. 2108 listed electronic low voltage transformer. Built-in auto reset, soft start, short and overload circuit protection features. Soft start delayed start feature extends lamp life. Dimmable with electronic low voltage dimmers. Dimmers should always be installed on the primary side of the transformer. In the case of a system overload or short circuit the transformer will revert to a "hold" position and then automatically reset the system when the problem is solved. System protection is designed to last several hours. 5 year W.A.C. Lighting product warranty.

LOW VOLTAGE ELECTRONIC TRANSFORMER

MODEL EN-1260N-R2



Ordering Matrix

Model	Finish	Accessories
EN-1260N-R2	BK	See table below

Ordering Example (model – finish) : EN-1260N-R2

Product Details

Description:	Low Voltage plug-in Class II electronic transformer designed to be used as portable or plug-and-play style transformer. Contains an on/off toggle switch at the base and a 6' detachable cord.
Catalog Number:	EN = Advanced electronic circuitry 1260 = 12 volt , 60 watt R2 = CLASS2
Input:	120V (50/60Hz)
Output:	12V
Min Load:	1W
Max Load:	60W
Max Input Amp:	0.53A (@ 120V)
Transformer Frequency:	25 khz. True RMS meter is required to read the high frequency output.
Listing:	U.L. listed ;Certificating;
Accessories:	MTB-01 – Multiple Terminal Block

Specification Features

- U.L. 2108 listed Class II electronic low voltage transformer.
- Built-in auto reset, soft start, short and overload circuit protection features. The soft start delayed start feature extends lamp life by delaying the abrupt inrush current to the lamp.
- Class II transformers are inherently protected and power limited, protecting the lighting system from both normal and abnormal short circuits
- 5 year WAC Lighting product warranty.