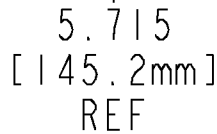
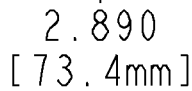
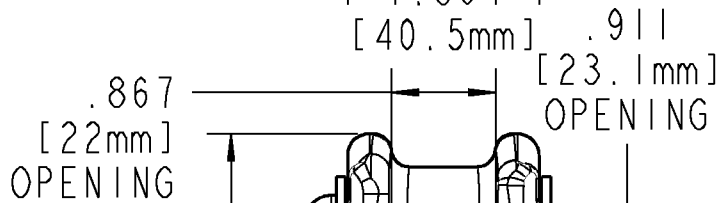
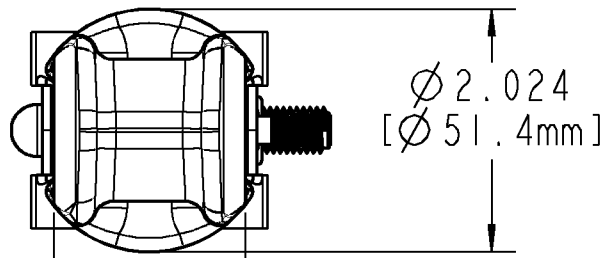
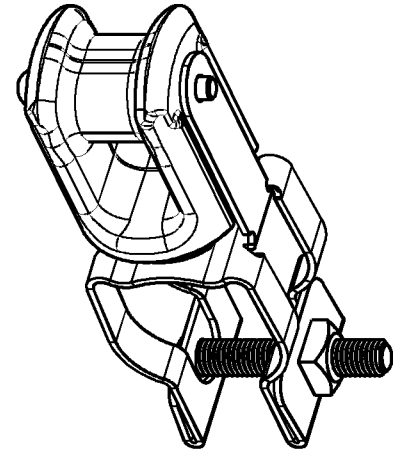



Steel City



5/16-18 UNC
THREAD FOR
SCREW AND
NUT

**CATALOG NO. W31
PORCELAIN WIRE HOLDER PIPE MOUNTED,
1-1/2" [41mm] CONDUIT SIZE
MAXIMUM PULL 1500 LBSF[681 KGF]**

GENERAL NOTES		 A Member of the ABB Group				
1. ALL DIMENSIONS ARE FOR REFERENCE ONLY. 2. DIMENSIONS IN BRACKETS [] ARE IN METRIC UNITS.						www.tnb.com
REVISIONS		ORIGINAL PROJECT NO / (ERN NO)				
** SEE ERN (****) FOR APPROVAL SIGNATURES & RELEASE DATE. PROJECT NO: ****		RM401839 / (2015581)		SHEET NO: 1 OF 1	REV. NO: -	DRAWING NO: WSD-001275