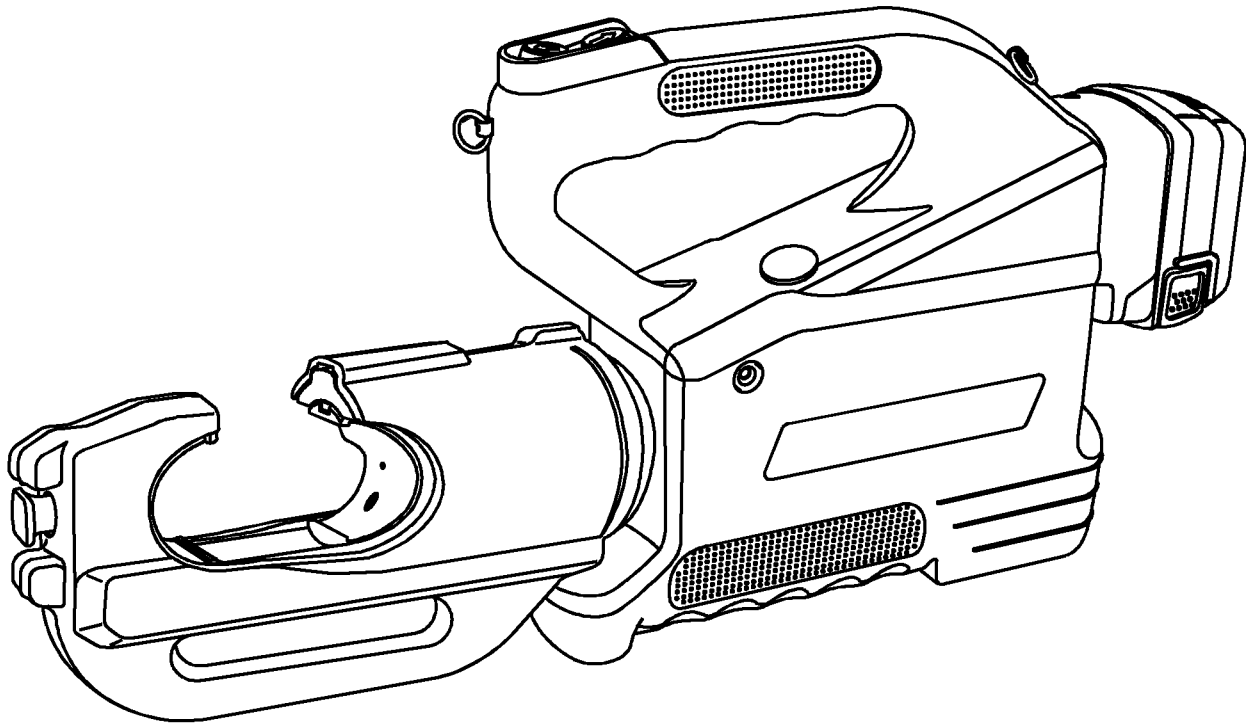


Blackburn




FEATURES:

1. FULLY AUTOMATIC, SELF-CONTAINED POWER TOOL FOR EFFORTLESS COMPRESSION
2. REMOVABLE BATTERY CARTRIDGE - CHANGE THE CARTRIDGE FOR CONTINUOUS USE
3. ONE HANDED OPERATION TO CONTROL RAM ADVANCEMENT AND RETRACTION
4. PROTECTIVE RUBBER BOOT ON "C" HEAD
5. TOOL KIT CONTENTS = COMPRESSION TOOL, 2 BATTERY CARTRIDGES, BATTERY CHARGER, INSTRUCTION MANUAL, AND CARRYING CASE

SPECIFICATIONS:

1. WEIGHT = 20.0 LBS W/ BATTERY
2. DIMENSIONS = 19"L x 3.5"W x 10.5"H
3. BATTERY = 14.4V, 3.0Ah, LITHIUM-ION
4. CHARGER = 120V-240V AC INPUT
5. ACCEPTS 15500 SERIES DIES
6. COMPRESSION FORCE = 14 TONS
7. CAPACITY = 900 KCMIL Cu, 750 KCMIL Al

GENERAL NOTES		 A Member of the ABB Group			
1. ALL DIMENSIONS ARE FOR REFERENCE ONLY. 2. DIMENSIONS IN BRACKETS [] ARE IN METRIC UNITS.					
REVISIONS		DESCRIPTION: TBM14CR-LI HYDRAULIC COMPRESSION TOOL, 14 TON OUTPUT			
** SEE ERN (****) FOR APPROVAL SIGNATURES & RELEASE DATE. PROJECT NO: ****		ORIGINAL PROJECT NO / (ERN NO) 131P000284 / (2014588)	SHEET NO: 1 OF 1	REV. NO: **	DRAWING NO: WSD-001148