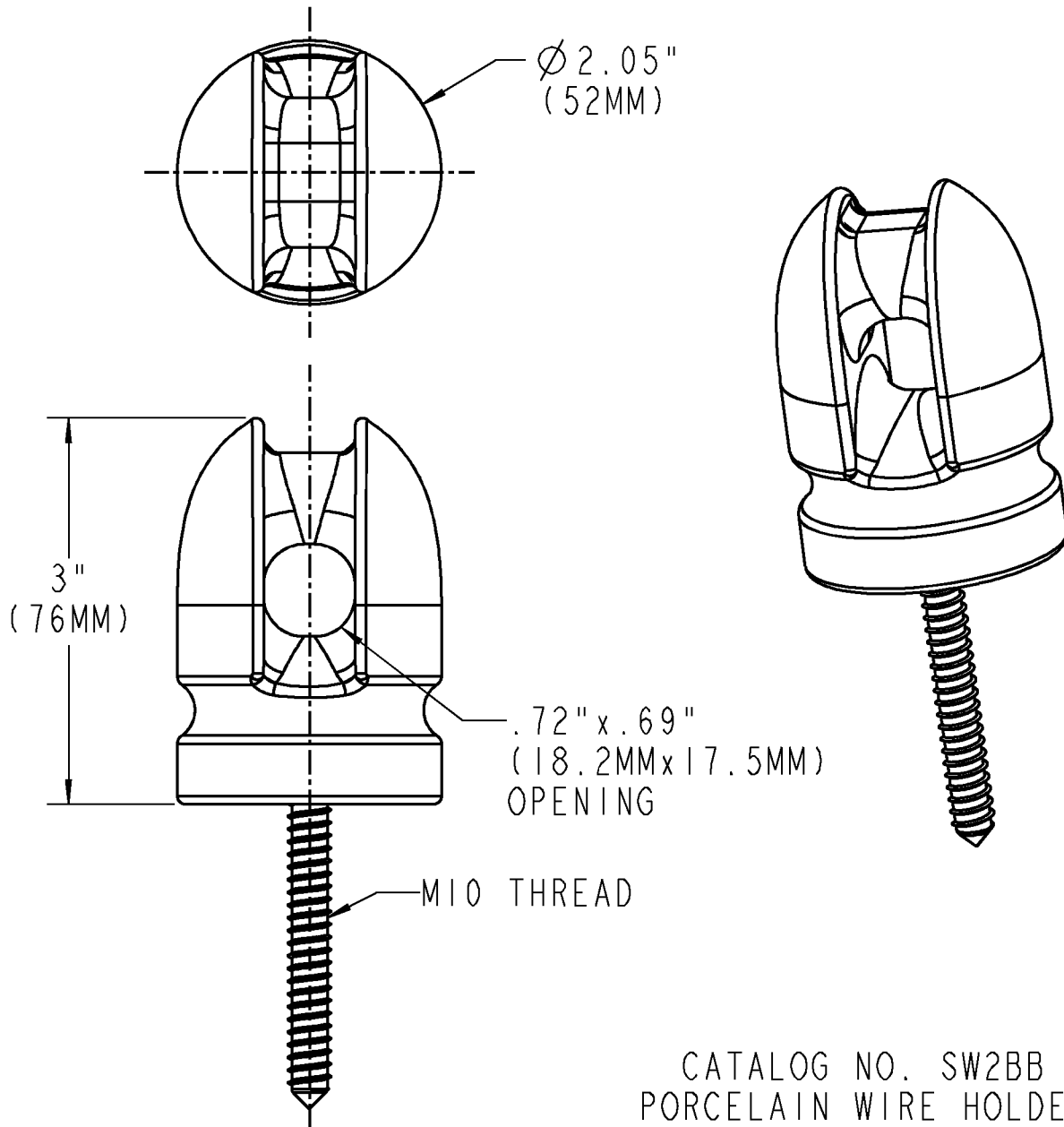



Steel City



CATALOG NO. SW2BB
 PORCELAIN WIRE HOLDER
 MIDGET INSULATOR
 SCREW LENGTH 2-1/4"
 MAXIMUM PULL: 1100 LBF
 (500 KGF)

GENERAL NOTES		 www.tnb.com			
1. ALL DIMENSIONS ARE FOR REFERENCE ONLY. 2. DIMENSIONS IN BRACKETS [] ARE IN METRIC UNITS.					
REVISIONS		DESCRIPTION: SW2BB PORCELAIN WIRE HOLDER			
- SEE ERN (****) FOR APPROVAL SIGNATURES & RELEASE DATE. PROJECT NO: ****		ORIGINAL PROJECT NO / (ERN NO) RM401839 / (2012817)	SHEET NO: 1 OF 1	REV. NO: -	DRAWING NO: WSD-000610