

Circuit Safe® NEMA Enclosures

Meets NEMA 1, 2, 3, 3S, 3X, 3SX, 4, 4X, 12.

Screw-On Covers



Opaque Cover



Clear Cover

Enclosure Kits

OPAQUE COVER* CAT. NO.	CLEAR COVER* CAT. NO.	SIZE (IN.)	BACK PANELS**		STD. CTN.	STD. WT. (LBS.) OPAQUE/CLEAR
			STEEL	PVC		
NS644	NV644	6 x 4 x 4	JP64	JP64P	1	Opa 1.8/Clr 1.9
NS664	NV664	6 x 6 x 4	JP66	JP66P	1	Opa 2.4/Clr 2.4
NS864	NV864	8 x 6 x 4	JP86	JP86P	1	Opa 2.9/Clr 2.8
NS884	NV884	8 x 8 x 4	JP88	JP88P	1	Opa 3.2/Clr 3.3
NS1084	NV1084	10 x 8 x 4	JP108	JP108P	1	Opa 4.0/Clr 3.9
NS1086	NV1086	10 x 8 x 6	JP108	JP108P	1	Opa 4.6/Clr 4.5
NS10106	NV10106	10 x 10 x 6	JP1010	JP1010P	1	Opa 5.3/Clr 4.9
NS12106	NV12106	12 x 10 x 6	JP1210	JP1210P	1	Opa 6.1/Clr 5.2
NS12126	NV12126	12 x 12 x 6	JP1212	JP1212P	1	Opa 6.8/Clr 6.1
NS14126	NV14126	14 x 12 x 6	JP1412	JP1412P	1	Opa 7.4/Clr 7.0
NS16146	NV16146	16 x 14 x 6	JP1614	JP1614P	1	Opa 9.2/Clr 8.1

* Include body, lid and mounting rail kit.

** Order back panels separately.

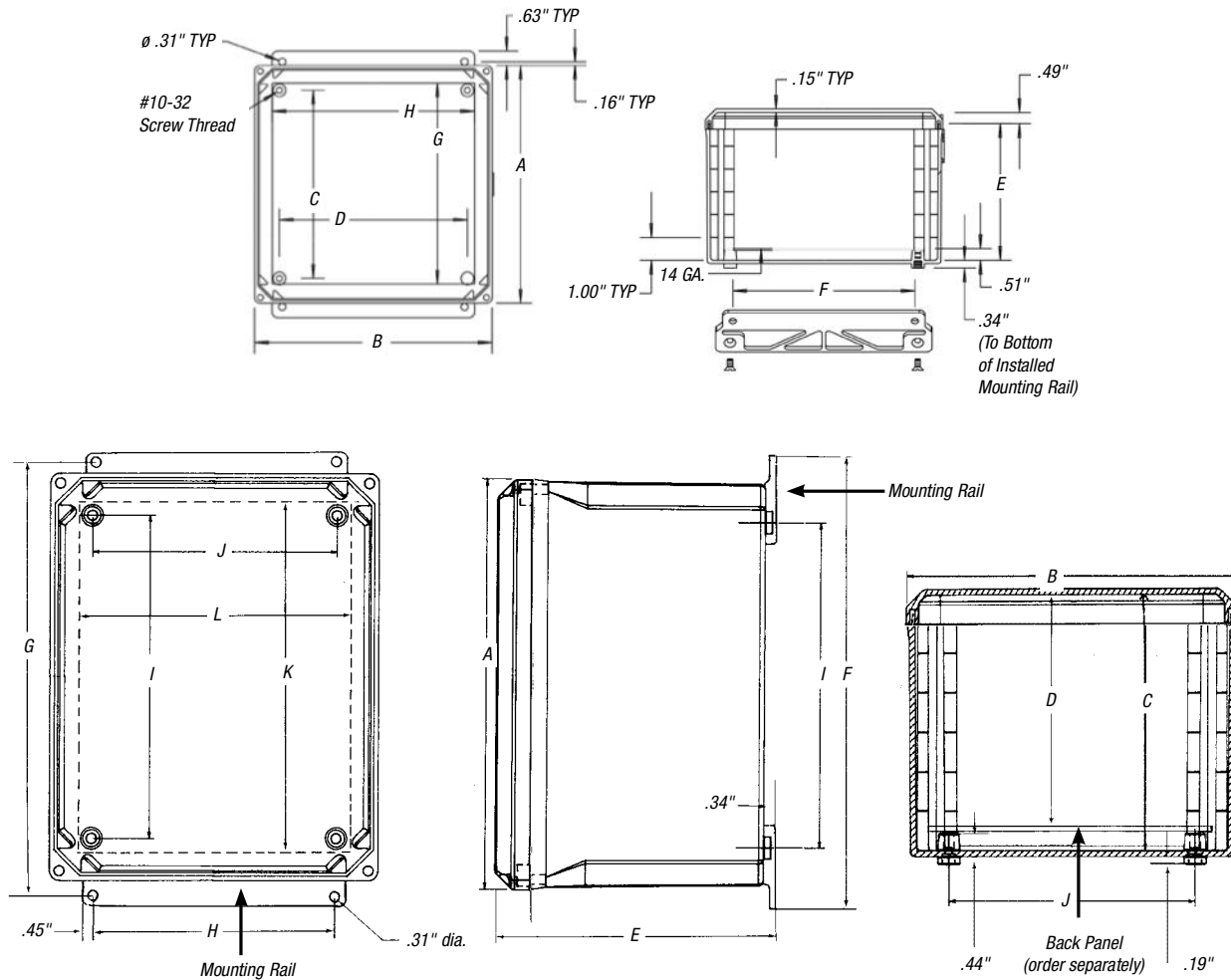
Individual Components

CAT. NO.	ENCLOSURE BASE*			ENCLOSURE LIDS				BACK PANELS**		
	ENCLOSURE SIZE (IN.)	STD. CTN.	STD. WT. (LBS.)	OPAQUE LIDS	CLEAR LIDS	STD. CTN.	STD. WT. (LBS.)	STEEL CAT. NO.	PVC CAT. NO.	STD. CTN.
NP644B	6 x 4 x 4	18	21	NS64L	NV64L	16	Opa 6.4/Clr 5.7	JP64	JP64P	1
NP664B	6 x 6 x 4	12	17	NS66L	NV66L	12	Opa 6.2/Clr 5.7	JP66	JP66P	1
NP864B	8 x 6 x 4	12	18	NS86L	NV86L	9	Opa 6/Clr 4.4	JP86	JP86P	1
NP884B	8 x 8 x 4	14	28	NS88L	NV88L	18	Opa 14/Clr 11.2	JP88	JP88P	1
NP1084B	10 x 8 x 4	12	26	NS108L	NV108L	12	Opa 13/Clr 11	JP108	JP108P	1
NP1086B	10 x 8 x 6	8	23	NS108L	NV108L	12	Opa 13/Clr 11	JP108	JP108P	1
NP1010B	10 x 10 x 6	6	20	NS1010L	NV1010L	11	Opa 14/Clr 12	JP1010	JP1010P	1
NP1210B	12 x 10 x 6	6	23	NS1210L	NV1210L	12	Opa 15/Clr 15	JP1210	JP1210P	1
NP1212B	12 x 12 x 6	5	22	NS1212L	NV1212L	10	Opa 15/Clr 14	JP1212	JP1212P	1
NP1412B	14 x 12 x 6	5	24	NS1412L	NV1412L	5	Opa 9/Clr 9	JP1412	JP1412P	1
NP1614B	16 x 14 x 6	4	31	NS1614L	NV1614L	5	Opa 11/Clr 11	JP1614	JP1614P	1

* Mounting rails are not included. See "Mounting Rails" on page A-307.

** Order back panels separately.

Circuit Safe® NEMA Enclosures



Individual Components (continued)

ENCLOSURE WITH		ENCLOSURE SIZE (IN.)						ENCLOSURE MOUNTING HOLE SPACING		PANEL MOUNTING HOLE SPACING		BACK PANEL SIZE		BACK PANEL** CAT. NO.	
CLEAR LID CAT. NO.*	OPAQUE LID CAT. NO.*	A	B	C	D	E	F	G	H	I	J	K	L	STEEL	PVC
NV644	NS644	6.40	4.40	4.49	3.98	5.13	7.69	6.75	2.00	4.29	2.28	4.88	2.88	JP64	JP64P
NV664	NS664	6.40	6.40	4.49	3.98	5.13	7.69	6.75	4.00	4.28	4.28	4.88	4.88	JP66	JP66P
NV864	NS864	8.40	6.40	4.49	3.98	5.13	9.69	8.75	4.00	6.27	4.26	6.75	4.88	JP86	JP86P
NV884	NS884	8.40	8.40	4.49	3.98	5.13	9.69	8.75	6.00	6.30	6.30	6.75	6.88	JP88	JP88P
NV1084	NS1084	10.40	8.40	4.49	3.98	5.13	11.69	10.75	6.00	8.34	6.30	8.75	6.88	JP108	JP108P
NV1086	NS1086	10.40	8.40	6.49	5.98	7.13	11.69	10.75	6.00	8.34	6.30	8.75	6.88	JP108	JP108P
NV10106	NS10106	10.40	10.40	6.49	5.98	7.13	11.69	10.75	8.00	8.29	8.29	8.75	8.88	JP1010	JP1010P
NV12106	NS12106	12.40	10.40	6.49	5.98	7.13	13.69	12.75	8.00	10.30	8.28	10.75	8.88	JP1210	JP1210P
NV12126	NS12126	12.40	12.40	6.49	5.98	7.13	13.69	12.75	10.00	10.24	10.24	10.75	10.88	JP1212	JP1212P
NV14126	NS14126	14.40	12.40	6.49	5.98	7.13	15.69	14.75	10.00	12.26	10.24	12.75	10.88	JP1412	JP1412P
NV16146	NS16146	16.40	14.40	6.49	5.98	7.13	17.69	16.75	12.00	14.26	12.26	14.75	12.88	JP1614	JP1612P

* Include body, lid and mounting rail kit.

** Order back panels separately (10/32 - 3/8 Back Panel screws not supplied).

Circuit Safe® NEMA Enclosures

Meets NEMA 1, 2, 3, 3S, 3X, 3SX, 4, 4X, 12.



Hidden-Hinge Covers

Enclosure Kits

OPAQUE COVER* CAT. NO.	CLEAR COVER* CAT. NO.	SIZE (IN.)	BACK PANELS**		STD. CTN.	STD. WT. (LBS.) OPAQUE/CLEAR
			STEEL	PVC		
NH644	NI644	6 x 4 x 5 †	JP64	JP64P	1	Opa 2.2/Clr 2.8
NH664	NI664	6 x 6 x 5	JP66	JP66P	1	Opa 2.7/Clr 3.2
NH864	NI864	8 x 6 x 5	JP86	JP86P	1	Opa 3.3/Clr 3.8
NH884	NI884	8 x 8 x 5	JP88	JP88P	1	Opa 3.8/Clr 3.8
NH1084	NI1084	10 x 8 x 5	JP108	JP108P	1	Opa 4.0/Clr 4.5
NH1086	NI1086	10 x 8 x 7	JP108	JP108P	1	Opa 5.2/Clr 5.1
NH10106	NI10106	10 x 10 x 7	JP1010	JP1010P	1	Opa 5.7/Clr 5.8
NH12106	NI12106	12 x 10 x 7	JP1210	JP1210P	1	Opa 6.9/Clr 6.1
NH12126	NI12126	12 x 12 x 7	JP1212	JP1212P	1	Opa 7.7/Clr 7.2
NH14126	NI14126	14 x 12 x 7	JP1412	JP1412P	1	Opa 8.3/Clr 7.9
NH16146	NI16146	16 x 14 x 7	JP1614	JP1614P	1	Opa 10.1/Clr 9.6

* Include body, cover assembly and mounting rail kit.

** Order back panels separately.

† 6 x 4 x 5 size not available with quick-release latches.



Opaque Cover



Clear Cover

Individual Components

ENCLOSURE BASE*				ENCLOSURE LIDS				COLLARS			BACK PANELS**			LATCHES		
CAT. NO.	ENCLOSURE SIZE (IN.)	STD. CTN.	STD. WT. (LBS.)	OPAQUE LIDS CAT. NO.	CLEAR LIDS CAT. NO.	STD. CTN.	STD. WT. (LBS.)	CAT. NO.	STD. CTN.	STD. WT. (LBS.)	STEEL CAT. NO.	PVC CAT. NO.	STD. CTN.	STEEL LATCH CAT. NO.	NON-METALLIC LATCH CAT. NO.	STD. CTN.
NP644B	6 x 4 x 5 †	18	21	NH64L	NI64L	16	Opa 6.8/Clr 6.3	NH64C	16	6	JP64	JP64P	1	SSLS	NPLIS	25
NP664B	6 x 4 x 5	12	17	NH66L	NI66L	12	Opa 6.8/Clr 6.3	NH66C	12	5	JP66	JP66P	1	SSLS	NPLIS	25
NP864B	8 x 6 x 5	12	18	NH86L	NI86L	9	Opa 6.3/Clr 5.7	NH86C	9	4	JP86	JP86P	1	SSLS	NPLIS	25
NP884B	8 x 8 x 5	14	28	NH88L	NI88L	18	Opa 16/Clr 15	NH88C	9	3.6	JP88	JP88P	1	SSLS	NPLIS	25
NP1084B	10 x 8 x 5	12	26	NH108L	NI108L	12	Opa 13/Clr 12	NH108C	12	7.8	JP108	JP108P	1	SSLS	NPLIS	25
NP1086B	10 x 8 x 7	8	23	NH108L	NI108L	12	Opa 13/Clr 12	NH108C	12	7.8	JP108	JP108P	1	SSLS	NPLIS	25
NP1010B	10 x 10 x 7	6	20	NH1010L	NI1010L	11	Opa 14/Clr 13	NH1010C	11	7.5	JP1010	JP1010P	1	SSLS	NPLIS	25
NP1210B	12 x 10 x 7 †	6	23	NH1210L	NI1210L	12	Opa 17/Clr 6	NH1210C	12	8	JP1210	JP1210P	1	SSLS	NPLIS	25
NP1212B	12 x 12 x 7 †	5	22	NH1212L	NI1212L	10	Opa 17/Clr 16	NH1212C	12	7.7	JP1212	JP1212P	1	SSLS	NPLIS	25
NP1412B	14 x 12 x 7 †	5	24	NH1412L	NI1412L	5	Opa 10/Clr 10	NH1412C	5	4.7	JP1412	JP1412P	1	SSLS	NPLIS	25
NP1614B	16 x 14 x 7 †	4	31	NH1614L	NI1614L	5	Opa 13/Clr 12	NH1614C	5	5.6	JP1614	JP1614P	1	SSLS	NPLIS	25

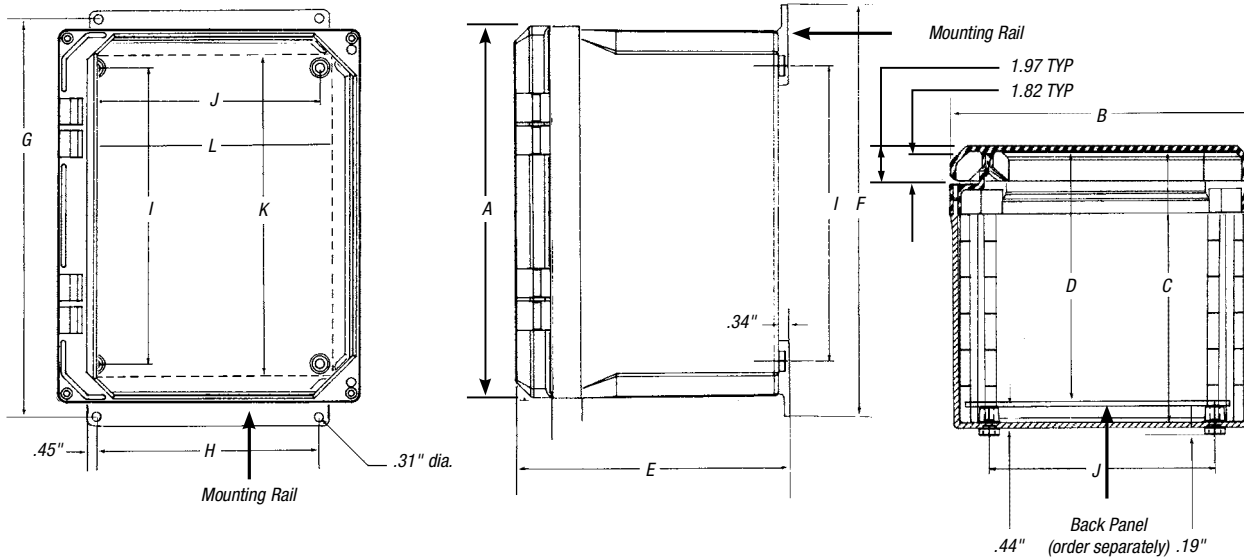
* Mounting rails are not included. See "Mounting Rails" listed on page A-307.

** Order back panels separately.

† 6 x 4 x 5 enclosures are not available with quick-release latches.

‡ Sizes 12 x 10 and larger require two (2) latches per enclosure.

Circuit Safe® NEMA Enclosures



Individual Components (continued)

ENCLOSURE WITH		ENCLOSURE SIZE (IN.)						ENCLOSURE MOUNTING HOLE SPACING		PANEL MOUNTING HOLE SPACING		BACK PANEL SIZE		BACK PANEL** CAT. NO.	
OPAQUE LID CAT. NO.*	CLEAR LID CAT. NO.*	A	B	C	D	E	F	G	H	I	J	K	L	STEEL	PVC
NH644	NI644	6.40	4.40	5.30	4.79	5.94	7.69	6.75	2.00	4.29	2.28	4.88	2.88	JP64	JP64P
NH664	NI664	6.40	6.40	5.30	4.79	5.94	7.69	6.75	4.00	4.28	4.28	4.88	4.88	JP66	JP66P
NH864	NI864	8.40	6.40	5.30	4.79	5.94	9.69	8.75	4.00	6.27	4.26	6.75	4.88	JP86	JP86P
NH884	NI884	8.40	8.40	5.30	4.79	5.94	9.69	8.75	6.00	6.30	6.30	6.75	6.88	JP88	JP88P
NH1084	NI1084	10.40	8.40	5.30	4.79	5.94	11.69	10.75	6.00	8.34	6.30	8.75	6.88	JP108	JP108P
NH1086	NI1086	10.40	8.40	7.30	6.79	7.94	11.69	10.75	6.00	8.34	6.30	8.75	6.88	JP108	JP108P
NH10106	NI10106	10.40	10.40	7.30	6.79	7.94	11.59	10.75	8.00	8.29	8.29	8.75	8.88	JP1010	JP1010P
NH12106	NI12106	12.40	10.40	7.30	6.79	7.94	13.69	12.75	8.00	10.30	8.28	10.75	8.88	JP1210	JP1210P
NH12126	NI12126	12.40	12.40	7.30	6.79	7.94	13.69	12.75	10.00	10.24	10.24	10.75	10.88	JP1212	JP1212P
NH14126	NI14126	14.40	12.40	7.30	6.79	7.94	15.69	14.75	10.00	12.26	10.24	12.75	10.88	JP1412	JP1412P
NH16146	NI16146	16.40	14.40	7.30	6.79	7.94	17.69	16.75	12.00	14.26	12.26	14.75	12.88	JP1614	JP1612P

* Include body, lid and mounting rail kit.

** Order back panels separately (10/32 - 3/8 Back Panel screws not supplied).

Circuit Safe® NEMA Enclosures

Meets NEMA 1, 2, 3, 3S, 3X, 3SX, 4, 4X, 12.

External-Hinge Covers



Enclosure Kits

OPAQUE COVER* CAT. NO.	CLEAR COVER* CAT. NO.	BACK PANELS** STEEL	BACK PANELS** PVC	SIZE (IN.)	STD. CTN.	STD. WT. (LBS.) OPAQUE/CLEAR
NJ664	NC664	JP66	JP66P	6 x 6 x 4	1	Opa 2.4/Clr 2.4
NJ864	NC864	JP86	JP86P	8 x 6 x 4	1	Opa 2.9/Clr 2.9
NJ884	NC884	JP88	JP88P	8 x 8 x 4	1	Opa 3.3/Clr 3.3
NJ1084	NC1084	JP108	JP108P	10 x 8 x 4	1	Opa 4/Clr 4
NJ1086	NC1086	JP108	JP108P	10 x 8 x 6	1	Opa 4.6/Clr 4.7
NJ10106	NC10106	JP1010	JP1010P	10 x 10 x 6	1	Opa 5.6/Clr 5.3
NJ12106	NC12106	JP1210	JP1210P	12 x 10 x 6	1	Opa 6.3/Clr 5.8
NJ12126	NC12126	JP1212	JP1212P	12 x 12 x 6	1	Opa 6.9/Clr 6.6
NJ14126	NC14126	JP1412	JP1412P	14 x 12 x 6	1	Opa 7.7/Clr 7
NJ16146	NC16146	JP1614	JP1614P	16 x 14 x 6	1	Opa 8.2/Clr 8

* Include body, lid and mounting rail kit.

** Order back panels separately.



Opaque Cover



Clear Cover

Individual Components

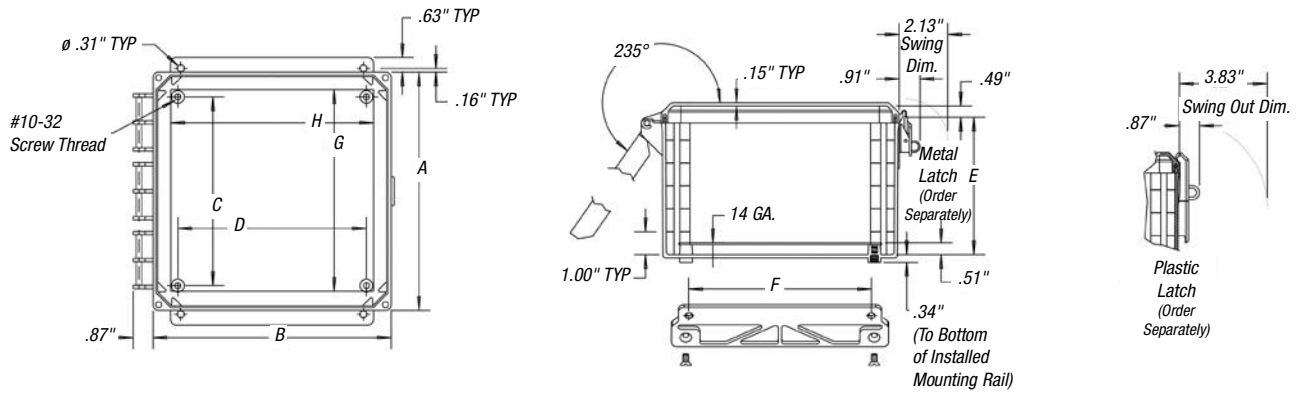
ENCLOSURE BASE*				ENCLOSURE LIDS				BACK PANELS**			LATCHES		
CAT. NO.	ENCLOSURE SIZE (IN.)	STD. CTN.	STD. WT. (LBS.)	OPAQUE LIDS CAT. NO.	CLEAR LIDS CAT. NO.	STD. CTN.	STD. WT. (LBS.)	STEEL CAT. NO.	PVC CAT. NO.	STD. CTN.	STEEL LATCH CAT. NO.	NON-METALLIC LATCH CAT. NO.	STD. CTN.
NL664B	6 x 6 x 4	12	18	NJ66L	NC66L	12	Opa 5.0/Clr 5.9	JP66	JP66P	1	SSLS	NPLIS	25
NL864B	8 x 6 x 4	8	14	NJ86L	NC86L	9	Opa 6/Clr 5.3	JP86	JP86P	1	SSLS	NPLIS	25
NL884B	8 x 8 x 4	14	28	NJ88L	NC88L	18	Opa 15/Clr 13.5	JP88	JP88P	1	SSLS	NPLIS	25
NL1084B	10 x 8 x 4	12	32	NJ108L	NC108L	12	Opa 13/Clr 11.7	JP108	JP108P	1	SSLS	NPLIS	25
NL1086B	10 x 8 x 6	8	15	NJ108L	NC108L	12	Opa 13/Clr 11.7	JP108	JP108P	1	SSLS	NPLIS	25
NL1010B	10 x 10 x 6	6	20	NJ1010L	NC1010L	11	Opa 14/Clr 13	JP1010	JP1010P	1	SSLS	NPLIS	25
NL1210B	12 x 10 x 6 †	6	24	NJ1210L	NC1210L	12	Opa 14/Clr 15	JP1210	JP1210P	1	SSLS	NPLIS	25
NL1212B	12 x 12 x 6 †	5	21.8	NJ1212L	NC1212L	10	Opa 16/Clr 14	JP1212	JP1212P	1	SSLS	NPLIS	25
NL1412B	14 x 12 x 6 †	4	19	NJ1412L	NC1412L	5	Opa 10/Clr 9	JP1412	JP1412P	1	SSLS	NPLIS	25
NL1614B	16 x 14 x 6 †	4	31	NJ1614L	NC1614L	5	Opa 13.5/Clr 12	JP1614	JP1614P	1	SSLS	NPLIS	25

* Mounting rails are not included. See Mounting Rails on page A-307.

** Order back panels separately.

† Sizes 12 x 10 and larger require two (2) latches per enclosure.

Circuit Safe® NEMA Enclosures



Individual Components (continued)

ENCLOSURE WITH		ENCLOSURE SIZE (IN.)						ENCLOSURE MOUNTING HOLE SPACING		PANEL MOUNTING HOLE SPACING		BACK PANEL SIZE		BACK PANEL** CAT. NO.	
CLEAR LID CAT. NO.*	OPAQUE LID CAT. NO.*	A	B	C	D	E	F	G	H	I	J	K	L	STEEL	PVC
NC644	NJ644	6.40	4.40	4.49	3.98	5.13	7.69	6.75	2.00	4.29	2.28	4.88	2.88	JP64	JP64P
NC664	NJ664	6.40	6.40	4.49	3.98	5.13	7.69	6.75	4.00	4.28	4.28	4.88	4.88	JP66	JP66P
NC864	NJ864	8.40	6.40	4.49	3.98	5.13	9.69	8.75	4.00	6.27	4.26	6.75	4.88	JP86	JP86P
NC884	NJ884	8.40	8.40	4.49	3.98	5.13	9.69	8.75	6.00	6.30	6.30	6.75	6.88	JP88	JP88P
NC1084	NJ1084	10.40	8.40	4.49	3.98	5.13	11.69	10.75	6.00	8.34	6.30	8.75	6.88	JP108	JP108P
NC1086	NJ1086	10.40	8.40	6.49	5.98	7.13	11.69	10.75	6.00	8.34	6.30	8.75	6.88	JP108	JP108P
NC10106	NJ10106	10.40	10.40	6.49	5.98	7.13	11.69	10.75	8.00	8.29	8.29	8.75	8.88	JP1010	JP1010P
NC12106	NJ12106	12.40	10.40	6.49	5.98	7.13	13.69	12.75	8.00	10.30	8.28	10.75	8.88	JP1210	JP1210P
NC12126	NJ12126	12.40	12.40	6.49	5.98	7.13	13.69	12.75	10.00	10.24	10.24	10.75	10.88	JP1212	JP1212P
NC14126	NJ14126	14.40	12.40	6.49	5.98	7.13	15.69	14.75	10.00	12.26	10.24	12.75	10.88	JP1412	JP1412P
NC16146	NJ16146	16.40	14.40	6.49	5.98	7.13	17.69	16.75	12.00	14.26	12.26	14.75	12.88	JP1614	JP1614P

* Include body, lid and mounting rail kit.

** Order back panels separately (10/32 - 3/8 Back Panel screws not supplied).