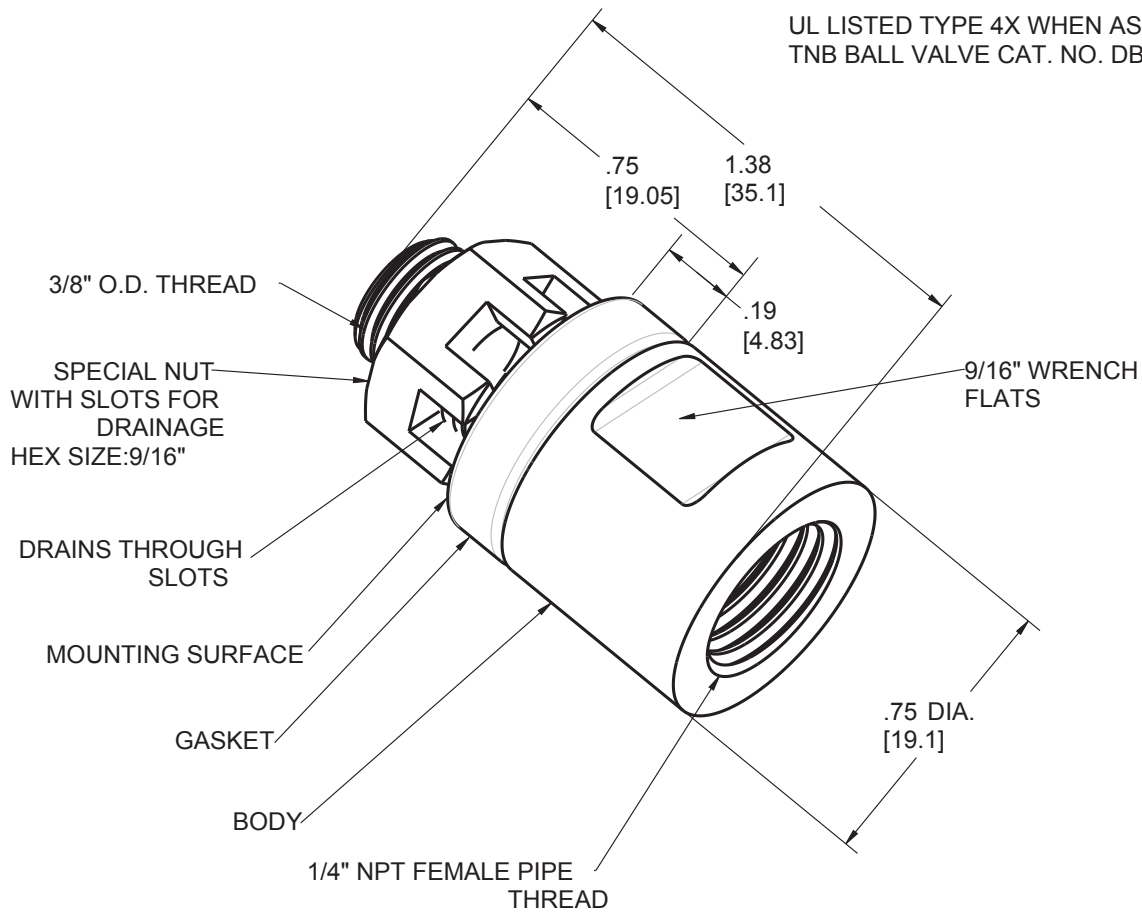




# T&B Fittings




UL LISTED TYPE 4X WHEN ASSEMBLED WITH  
TNB BALL VALVE CAT. NO. DBV-1/4



**NOTES:**

1. MATERIAL:  
 BODY: 316 STAINLESS STEEL  
 NUT: 316 STAINLESS STEEL  
 GASKET: FDA APPROVED, LOW DUROMETER ELASTOMER.

FG-DA-3/8

GENERAL NOTES		 A Member of the ABB Group			
1. ALL DIMENSIONS ARE FOR REFERENCE ONLY. 2. DIMENSIONS IN BRACKETS [ ] ARE IN METRIC UNITS.					
REVISIONS		DESCRIPTION: 3/8 - STAINLESS STEEL DRAIN			
3	SEE ERN ( 2017058 ) FOR APPROVAL SIGNATURES & RELEASE DATE. PROJECT NO: 013D000244	ORIGINAL PROJECT NO / ( ERN NO ) 013D000244 / (2015790)	SHEET NO: 1 OF 1	REV. NO: 3	DRAWING NO: WSD-001158