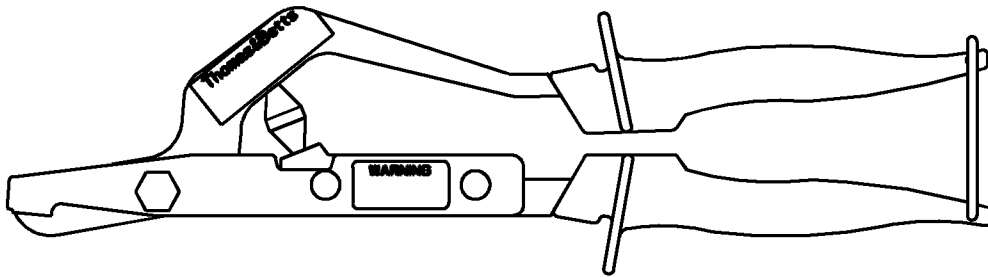
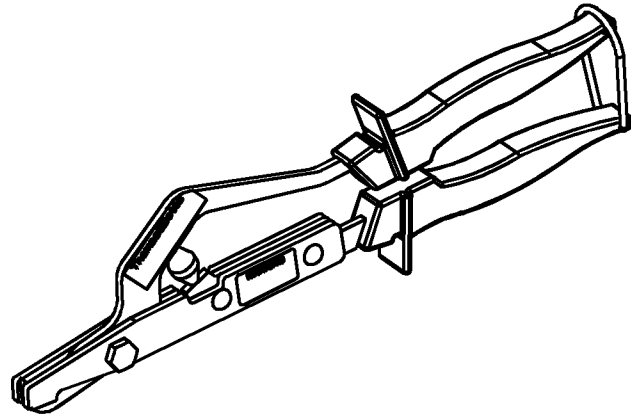



Ty-Duct™



CAT. NO. **DNT-100TB**

APPLICATION;

1. USED TO NOTCH A SMALL SECTION OF WIRING DUCT THAT REMAINS AFTER DUCT FINGERS HAVE BEEN REMOVED, THUS ALLOWING FOR THE TOTAL REMAINING SECTION TO BE REMOVED FLUSH WITH THE WIRING DUCT FLOOR.

GENERAL NOTES		 <small>www.tnb.com</small>			
1. ALL DIMENSIONS ARE FOR REFERENCE ONLY. 2. DIMENSIONS IN BRACKETS [] ARE IN METRIC UNITS.					
REVISIONS		DUCT NOTCHING TOOL			
2 SEE ERN 2005923 FOR APPROVAL SIGNATURES & RELEASE DATE. PROJECT NO: FD55400		DESCRIPTION: ORIGINAL PROJECT NO / (ERN NO) FD55439 / (2001503)	SHEET NO: 1 OF 1	REV. NO: 2	DRAWING NO: WSD-000015