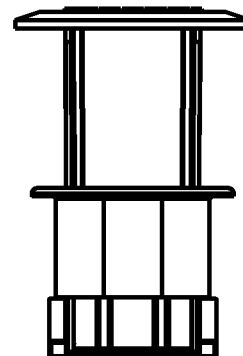
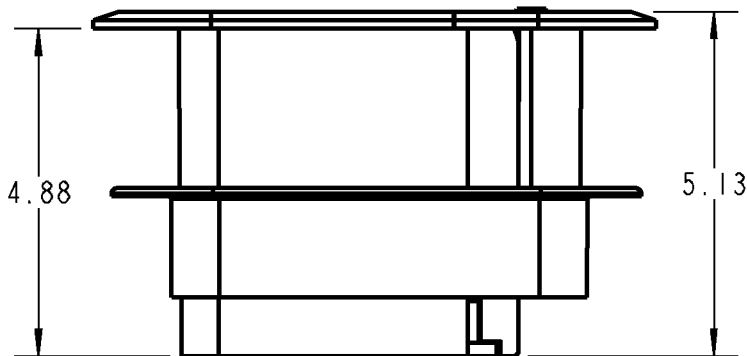
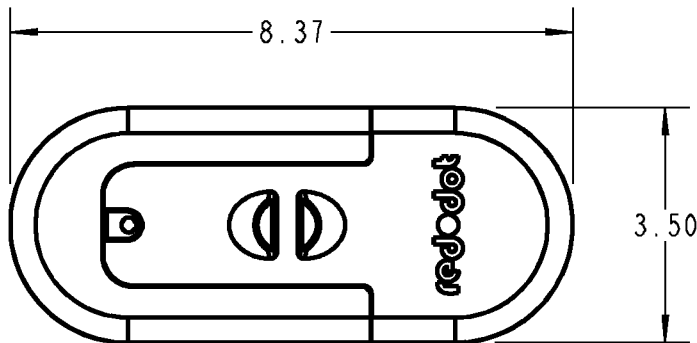
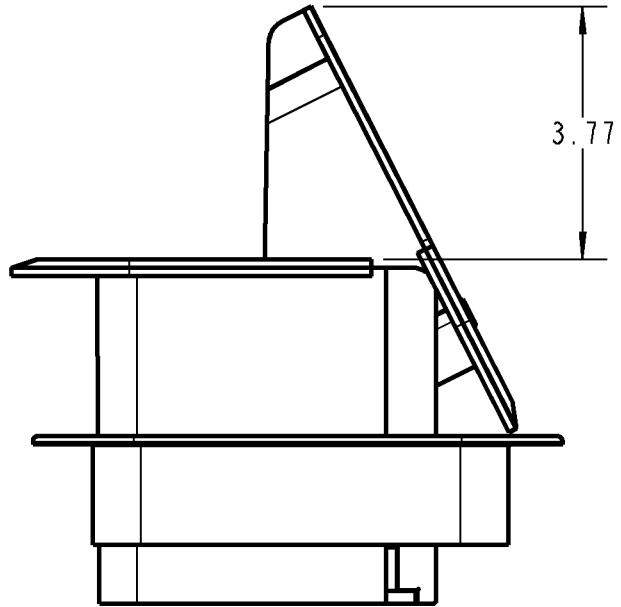
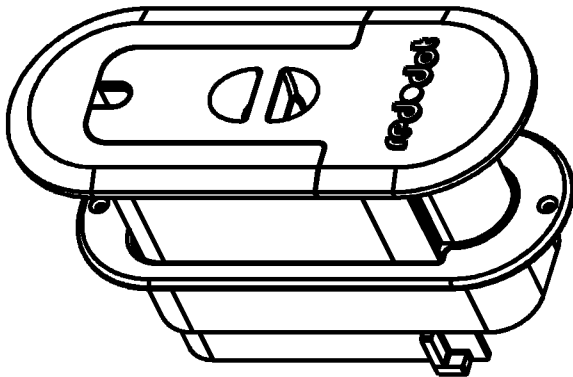


Red-Dot



- INCLUDES:
 - CORD LOCK AND SCREW
 - TWO FLANGE SCREWS, #8 X 3/4" WOOD SCREW

CAT. NO. DKG
 CAT. NO. DKG-TP
 CAT. NO. DKG-CA

GENERAL NOTES

1. ALL DIMENSIONS ARE FOR REFERENCE ONLY.
2. DIMENSIONS IN BRACKETS [] ARE IN METRIC UNITS.

www.tnb.com

Thomas & Betts
 A Member of the ABB Group

REVISIONS

- | | |
|---|---|
| 1 | SEE ERN 2014930 FOR APPROVAL SIGNATURES & RELEASE DATE.
PROJECT NO: 002D000310 |
|---|---|

DESCRIPTION:

DECK GROMMET ASSEMBLY

ORIGINAL PROJECT NO / (ERN NO)
 002D000310 / (2014592)

SHEET NO:
 1 OF 1

REV. NO:
 1

DRAWING NO:
WSD-001141