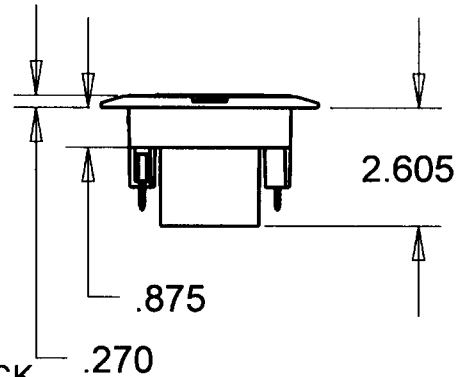
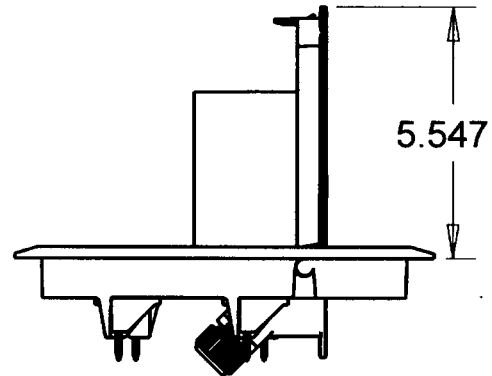
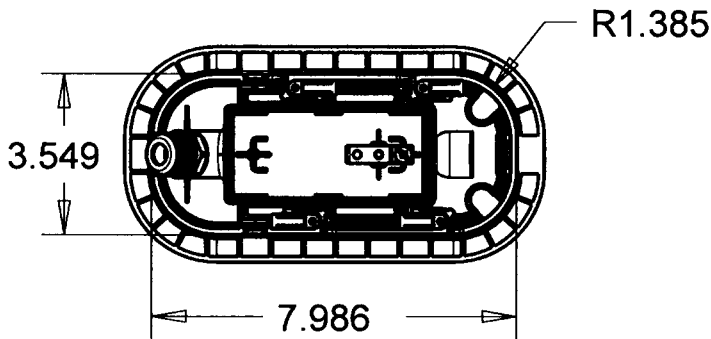
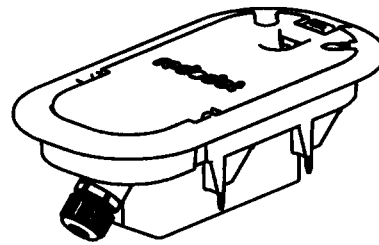
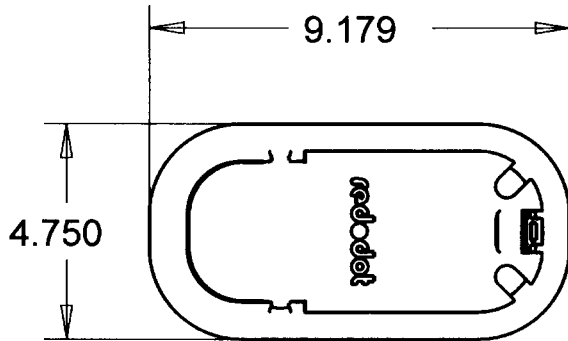


Red•Dot



CAT. NUMBER : DKG-PRO

INCLUDES:

4 ARMS AND #8-32 SCREWS FOR ATTACHMENT TO DECK

2 CORD FITTINGS

Deck Cutout Template

36" Power Cord One End Pre-Stripped.

Recepticle Faceplate

Adapter for Duplex Recepticles

English/Spanish Installation Instructions



GENERAL NOTES

1. ALL DIMENSIONS ARE FOR REFERENCE ONLY.
2. DIMENSIONS IN BRACKETS [] ARE IN METRIC UNITS.

www.tnb.com

Thomas & Betts

A Member of the ABB Group

DESCRIPTION:

DECK GROMMET PRO ASSEMBLY

REVISIONS

** SEE ERN (****)
FOR APPROVAL SIGNATURES
& RELEASE DATE.
PROJECT NO: ****

ORIGINAL PROJECT NO / (ERN NO)

SHEET NO:

REV. NO:

DRAWING NO:

003D00353 / (2015638)

1 OF 1

0

WSD-001234