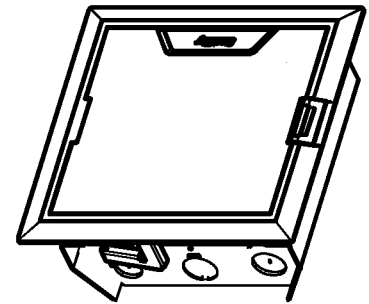
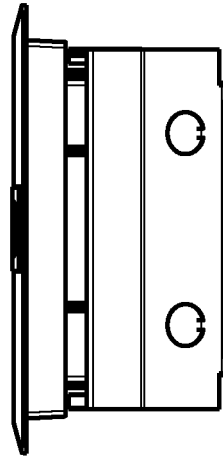
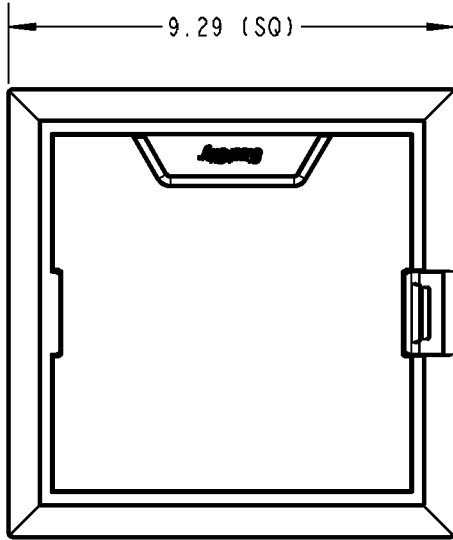
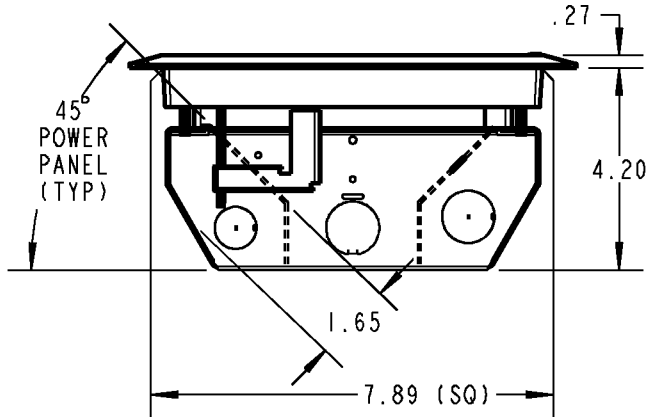


ACCESS FLOOR MODULE WITH ALUMINUM COVER AND TWO SWING ARMS

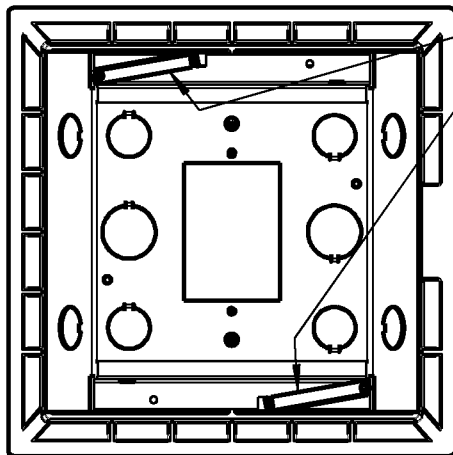


CAT NO: AFM-4-ALM-N



FLOORBOX:

- * 14 GA. GALVANIZED STEEL
- * INSTALLATION REQUIRES A 7.94" x 7.94" CUT-OUT
- * BOX VOLUME AT 150 CU IN (LESS DEVICE PANELS)
- * DEVICE COMPARTMENT VOLUME:
 - 27.3 CUBIC INCHES WITH 45° DUPLEX POWER PANEL,
 - 20.6 CUBIC INCHES WITH CENTER PANELS
- * TWO AFP-4A 45° POWER PANELS INCLUDED
- * MAXIMUM NUMBER OF 3 DEVICE PANELS
- (2) 1/2" K.O.'S ON EACH END
- (1) 1/2" K.O. AND (2) 3/4" K.O.'s EACH SIDE
- (4) 1/2" K.O.'s AND (2) 3/4" K.O.'s ON BOTTOM
- (1) 2" x 2-7/8" ACCESS OPENING ON BOTTOM.
- * COMES W/ AFC-C CLOSURE PANEL & (2) GND SCREWS



- * SECURES TO FLOORING WITH (2) 16 GA. PRE-GALV SHEETMETAL SWING ARMS

- ### COVER:
- * ALUMINUM FLOOR BOX COVER DESIGNED FOR USE WITH 665 SERIES CONCEALED FLOOR BOXES
 - * MOPTIGHT WITH FACTORY INSTALLED GASKETS
 - * MEETS UL SCRUB-WATER REQUIREMENTS FOR TILE, CARPET AND WOOD FLOORS
 - * LID CAN BE ROTATED TO ALLOW FOR OPEN ACCESS OF CORD SLOT. LID IS ATTACHED WITH A 6-INCH INSULATED WIRE LANYARD
 - * 1,500-LB MAXIMUM LOAD CAPACITY

GENERAL NOTES

1. ALL DIMENSIONS ARE FOR REFERENCE ONLY.
2. DIMENSIONS IN BRACKETS [] ARE IN METRIC UNITS.

REVISIONS

2. SEE ERN 2016339 FOR APPROVAL SIGNATURES & RELEASE DATE. PROJECT NO: UM400388

www.tnb.com

Thomas & Betts

A Member of the ABB Group

DESCRIPTION: **ACCESS FLOOR MODULE - ALUMINUM WITH SWING ARMS**

ORIGINAL PROJECT NO / (ERN NO)

UM400388 / (2014921)

SHEET NO:

1 OF 1

REV. NO:

2

DRAWING NO:

WSD-001227