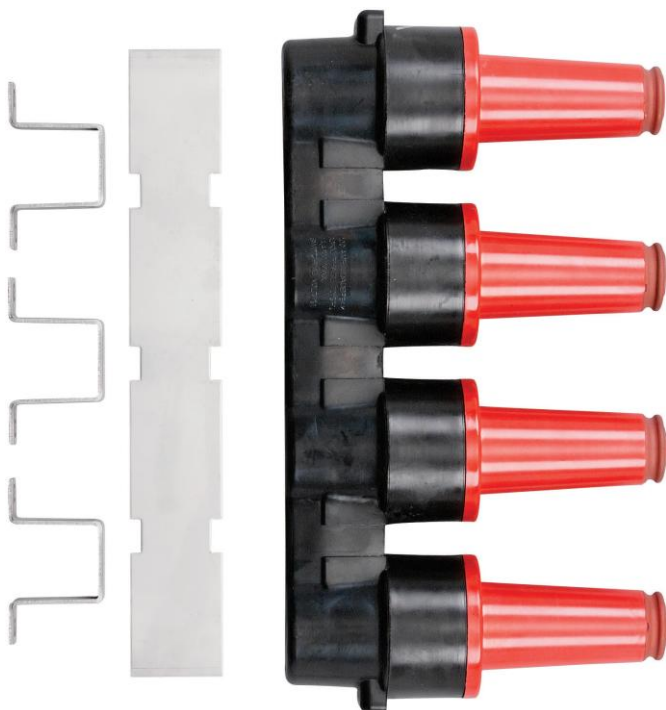


15kV	200A Loadbreak 4-Way Junction	w/ "U" Straps	164J4-5
------	-------------------------------	---------------	---------



Note: Red PBT Interface Shield available soon

Features:

- 15kV, 200 Amp Loadbreak 4-Way Junction
- Fully shielded, fully submersible molded rubber housing
- 100% peroxide-cured construction includes insulation and conductive EPDM materials
- Provides mating for Elastimold® Elbow connectors
- Mounting "U" Straps for installation

164J4-5 Loadbreak 4-Way Junction

Applications:

ELASTIMOLD® junctions are designed for subsurface, vault or padmount applications and can be used for sectionalizing, looping, tapping, and equipment bypass. Junctions are designed to mate with other ELASTIMOLD® products including:

- 15kV Family of Elbow Connectors
- 160GLR Grounding Elbow
- 370TR Test Rod
- 160DR/DRG Insulated Cap
- 167/168DRG Insulated Cap

ELASTIMOLD® loadbreak junctions, provide a fully shielded, fully submersible, separable, insulated assembly designed for energized operation. They are suitable for use on 15-kV class distribution systems, and rated for 200-ampere loadmake/loadbreak operation. Junctions are supplied with U-straps and back plates for front surface or back surface mounting.

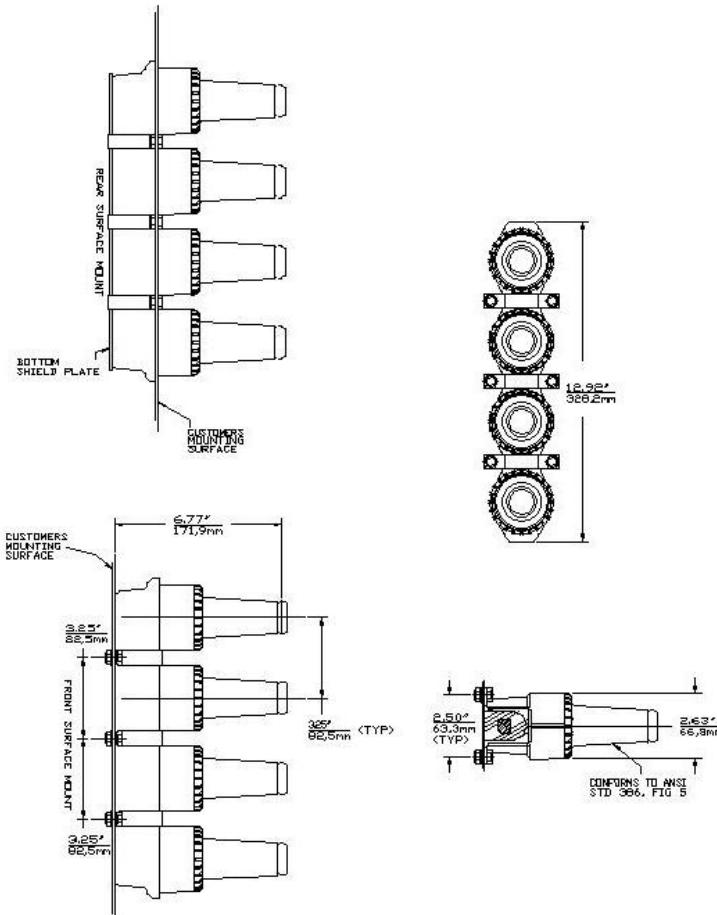
Ratings:

Meets ANSI/IEEE Standard 386, Latest Revision

For 15kV Voltage Class:

8.3kV Phase-to-Ground – Operating Voltage
 14.4kV Max Phase-to-Phase
 95kV BIL – Impulse Withstand (1.2 x 50 microsecond wave)
 34kV AC – One minute withstand
 53kV DC – 15 minutes withstand
 11kV AC – Corona Extinction @ 3pC sensitivity
 200 Amp – Continuous and Loadbreak
 10kA Sym – 10 Cycles Momentary & Fault Close

15kV	200A Loadbreak 4-Way Junction	w/ "U" Straps	164J4-5
------	-------------------------------	---------------	---------



Each kit contains the following:

- | | | |
|---|--------------------------|------------|
| 1 | Basic molded junction | 164J4-5 |
| 4 | Protective shipping cap | 1601-APC-1 |
| 1 | Junction Prepack | 164J4-5 |
| 2 | Tube, lubricant | 82-08 |
| 1 | Installation instruction | IS-0384 |

Ordering Instructions:

Specify **164J4-5** for 15kV, 200 Amp 4-way Loadbreak Junction.