



Price* : 117.00 USD



Main

| | |
|-------------------------------|---|
| Range of product | OsiSense XU |
| Series name | General purpose single mode |
| Electronic sensor type | Photo-electric sensor |
| Sensor name | XUX |
| Sensor design | Compact 92 x 71 |
| Detection system | Reflex |
| Material | Plastic |
| Type of output signal | Discrete |
| Supply circuit type | AC/DC |
| Wiring technique | 5-wire |
| Discrete output function | 1 C/O |
| Electrical connection | Screw-clamp terminals, 1 x 1.5 mm ² or 1 x 0.75 mm ² with adaptor |
| Product specific application | - |
| Emission | Infrared reflex |
| [Sn] nominal sensing distance | 45.93 ft (14 m) reflex need reflector XUZC50 |

Complementary

| | |
|--------------------------|---|
| Enclosure material | PBT |
| Lens material | PMMA |
| Maximum sensing distance | 65.62 ft (20 m) reflex |
| Output type | Relay |
| Cable entry | 1 entry for M16 x 1.5 cable gland, cable outer diameter: 0.28...0.39 in (7...10 mm) |
| Status LED | 1 LED (green) supply 1 LED (yellow) output state |
| Supply voltage limits | 20...264 V AC |
| Switching capacity in mA | 3 A (cos φ = 1 for 0.5 million cycles at 1 operating cycle per second at 250 V) |

| | |
|------------------------|--|
| Switching frequency | <= 20 Hz |
| Voltage drop | <= 1.5 V (closed state) |
| Current consumption | <= 35 mA (no-load) |
| Power consumption in W | 2 W AC/DC |
| Delay first up | < 60 ms |
| Delay response | < 25 ms |
| Delay recovery | < 25 ms |
| Setting-up | Without sensitivity adjustment |
| Electrical durability | 500000 cycles, $\cos \varphi = 0.4$, 60 cyc/mn at 250 V 500000 cycles, $\cos \varphi = 1$, 60 cyc/mn at 250 V |
| Depth | 3.03 in (77 mm) |
| Height | 3.62 in (92 mm) |
| Width | 1.22 in (31 mm) |
| Product weight | 0.44 lb(US) (0.2 kg) |

Environment

| | |
|---------------------------------------|--|
| Product certifications | CE CSA UL |
| Ambient air temperature for operation | -13...131 °F (-25...55 °C) |
| Ambient air temperature for storage | -40...158 °F (-40...70 °C) |
| Vibration resistance | 7 gn, amplitude = +/- 1.5 mm (f = 10...55 Hz) conforming to IEC 60068-2-6 |
| Shock resistance | 30 gn (duration = 11 ms) conforming to IEC 60068-2-27 |
| IP degree of protection | IP65 double insulation conforming to IEC 60529 IP67 double insulation conforming to IEC 60529 |

Ordering and shipping details

| | |
|-----------------------|--------------------------------|
| Category | 22481 - SENSORS, PHOTOELECTRIC |
| Discount Schedule | DS2 |
| GTIN | 00785901489870 |
| Nbr. of units in pkg. | 1 |
| Package weight(Lbs) | 0.45000000000000001 |
| Returnability | Y |
| Country of origin | ID |

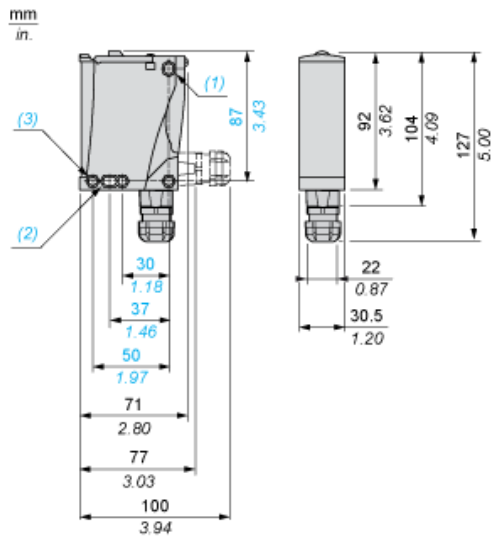
Offer Sustainability

| | |
|--------------------------|---|
| Sustainable offer status | Green Premium product |
| RoHS (date code: YYWW) | Compliant - since 0914 - Schneider Electric declaration of conformity Schneider Electric declaration of conformity |
| REACH | Reference not containing SVHC above the threshold Reference not containing SVHC above the threshold |

Contractual warranty

| | |
|-----------------|-----------|
| Warranty period | 18 months |
|-----------------|-----------|

Dimensions



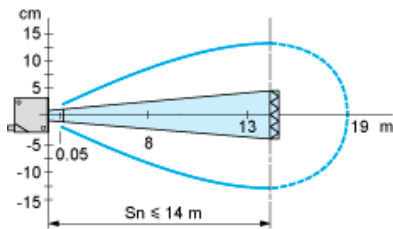
- (1) Elongated hole $\text{\O} 5.5 \times 7$
- (2) Elongated hole $\text{\O} 5.5 \times 9$
- (3) $\text{\O} 5.5$ hole

Wiring Schemes

Relay Output AC/DC

| Terminals | | |
|-----------|--|--------------|
| 1 | | AC/DC |
| 2 | | AC/DC |
| 3 | | NO |
| 4 | | Relay common |
| 5 | | NC |

Detection Curves



With reflector XUZY50