

Product data sheet

Specifications



Modbus TCPIP diagnostic expansion module, Modicon MCM, screw term

XPSMCMCO0000EM

Main

| | |
|---------------------------|-------------------------------|
| Range of product | Modicon MCM |
| Product or component type | Non-safe communication module |
| Device short name | XPSMCM |
| [Us] rated supply voltage | 24 V - 20...20 % DC |

Complementary

| | |
|--|--|
| Power dissipation in W | 3 W |
| Quality labels | CE |
| Range compatibility | Preventa XPSMCM |
| Connector type | RJ45 |
| Number of port | 1 |
| Method of access | Server |
| Transmission rate | 10/100 Mbit/s |
| Communication port protocol | Modbus TCP/IP |
| Current consumption | 0.125 mA |
| Maximum cable distance between devices | 100 m |
| Local signalling | LED green with PWR marking for power ON LED green with RUN marking for operating LED red with E IN marking for internal error LED red with E EX marking for external error LED green/red with NET marking for connection state LED green/red with STS marking for communication status |
| Connections - terminals | 2 captive screw clamp terminals, removable terminal block |
| Cable cross section | 0.2...1.5 mm ² - AWG 24...AWG 16 flexible cablewithout cable end 0.2...2.5 mm ² - AWG 24...AWG 14 flexible cablewithout cable end 0.25...1 mm ² - AWG 23...AWG 18 flexible cablewith cable end, without bezel 0.25...2.5 mm ² - AWG 23...AWG 14 flexible cablewith cable end, with bezel 0.25...2.5 mm ² - AWG 23...AWG 14 flexible cablewith cable end, without bezel 0.5...1.5 mm ² - AWG 20...AWG 16 flexible cablewith cable end, with double bezel 0.2...1 mm ² - AWG 24...AWG 18 solid cablewithout cable end 0.2...2.5 mm ² - AWG 24...AWG 14 solid cablewithout cable end |
| Mounting support | Omega 35 mm DIN rail conforming to EN 50022 |
| Width | 22.5 mm |
| Height | 99 mm |
| Depth | 114.5 mm |

| | |
|---------------------------------------|---|
| Net weight | 0.3 kg |
| Environment | |
| Product certifications | cULus RCM TÜV |
| IP degree of protection | IP20 |
| Ambient air temperature for operation | -10...55 °C |
| Ambient air temperature for storage | -20...85 °C |
| Relative humidity | 10...95 % |
| Pollution degree | 2 |
| Insulation | 250 V AC between power supply and housing conforming to EN/IEC 61800-5-1 |
| Overvoltage category | II |
| Electromagnetic compatibility | Electrostatic discharge immunity test - test level: 6 kV (on contact) conforming to EN/IEC 61000-4-2 Electrostatic discharge immunity test - test level: 20 kV (on air) conforming to EN/IEC 61000-4-2 Susceptibility to electromagnetic fields - test level: 10 V/m (80...1000 MHz) conforming to EN/IEC 61000-4-3 Susceptibility to electromagnetic fields - test level: 30 V/m (1.4 GHz...2 GHz) conforming to EN/IEC 61000-4-3 |
| Vibration resistance | +/-0.35 mm (f= 10...55 Hz) conforming to EN/IEC 61496-1 |
| Shock resistance | 10 gn (duration = 16 ms) for 1000 shocks on each axis conforming to EN/IEC 61496-1 |
| Operating altitude | 2000 m |
| Service life | 20 year(s) |

Packing Units

| | |
|------------------------------|---------|
| Unit Type of Package 1 | PCE |
| Number of Units in Package 1 | 1 |
| Package 1 Height | 4.5 cm |
| Package 1 Width | 12.7 cm |
| Package 1 Length | 16.2 cm |
| Package 1 Weight | 233.0 g |
| Unit Type of Package 2 | S01 |
| Number of Units in Package 2 | 6 |
| Package 2 Height | 15.0 cm |
| Package 2 Width | 15.0 cm |
| Package 2 Length | 40.0 cm |
| Package 2 Weight | 1.65 kg |

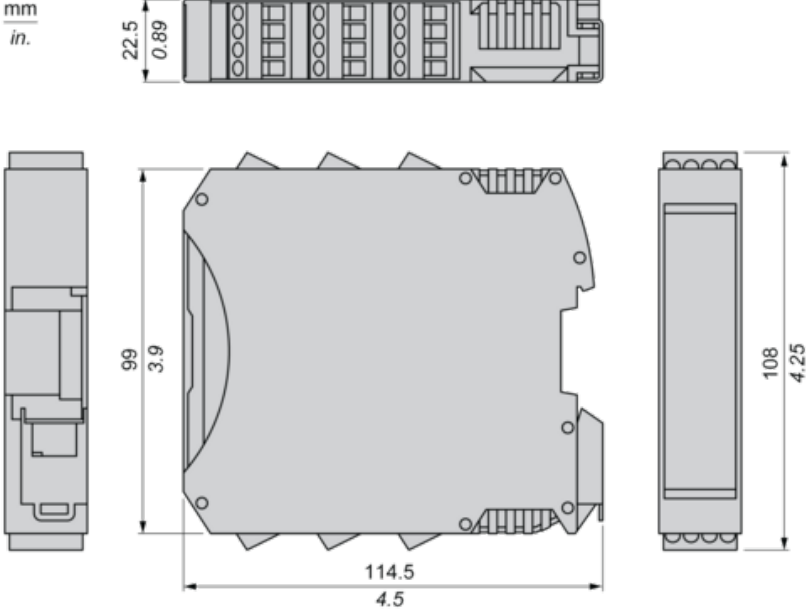
Offer Sustainability

| | |
|----------------------------|---|
| Sustainable offer status | Green Premium product |
| REACH Regulation | REACH Declaration |
| REACH free of SVHC | Yes |
| EU RoHS Directive | Pro-active compliance (Product out of EU RoHS legal scope) EU RoHS Declaration |
| Mercury free | Yes |
| China RoHS Regulation | China RoHS declaration |
| RoHS exemption information | Yes |

| | |
|----------------------------------|---|
| Environmental Disclosure | Product Environmental Profile |
| Circularity Profile | End of Life Information |
| WEEE | The product must be disposed on European Union markets following specific waste collection and never end up in rubbish bins |
| PVC free | Yes |
| California proposition 65 | WARNING: This product can expose you to chemicals including: Lead and lead compounds, which is known to the State of California to cause cancer and birth defects or other reproductive harm. For more information go to www.P65Warnings.ca.gov |

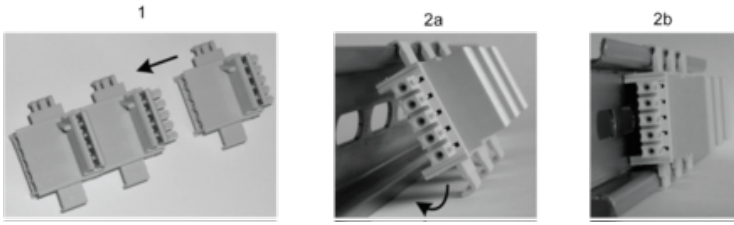
Dimensions

Screw Terminal



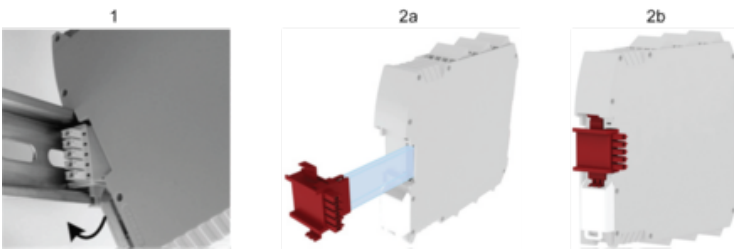
Mounting Safety Controller CPU with Module(s)

Mount BackPlane Connector on Rail



- 1 : Connect as much Backplane Connector as module to be install.
- 2 : Fix the connectors to the rail (Top first).

Mount Safety Controller CPU with Other Module(s)



- 1 : Mount controller CPU and modules on rail.
- 2 : Make sure that the controller CPU or the module(s) are plugged on the BackPlane connector.

Connection & Schema

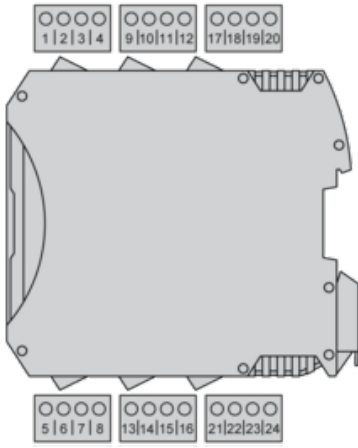
Modbus TCP Connector



| | |
|-------------|---|
| Description | MBTCP (Modbus TCP/IP) standard communication device |
| Wiring | PIN/ Signal 1/ Tx+ 2/ Tx- 3/ Rx+ 4/ not connected 5/ not connected 6/ Rx- 7/ not connected 8/ not connected |
| Data sets | Input status, input diagnostics, fieldbus input status, probe status, safety output status, safety output diagnostics |

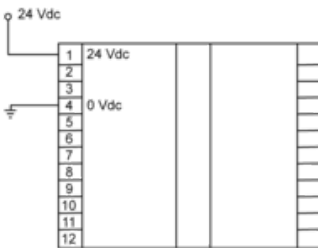
Wiring

Terminal Designation



| Terminal | Signal | Description |
|----------|--------|---------------------|
| 1 | 24 VDC | 24 Vdc power supply |
| 2 | - | Not connected |
| 3 | | |
| 4 | | |
| 5 | 0 VDC | 0 Vdc power supply |
| 6 | - | Not connected |
| 7 | | |
| 8 | | |
| 8 | | |

Wiring Example



Recommended replacement(s)