



## Main

Range of product	Harmony XB5
Product or component type	Panel mounted USB port
Device short name	XB5P

## Complementary

Sale per indivisible qty	1
Mounting diameter	22 mm
Thickness	5 mm without protection cover 1.5...5 mm with protection cover plastic 1.5...5 mm with protection cover rigid plastic 1.5...2.5 mm with protection cover metal
Bezel material	Plastic
Fixing collar material	Plastic
Integrated connection type	USB 3.0 type A
Number of matings	1500 cycles
IP degree of protection	IP20 back IEC 60529 IP20 front IEC 60529
Ambient air temperature for operation	-40...70 °C
Ambient air temperature for storage	-40...70 °C
Tightening torque	1.5 N.m
Vibration resistance	5.35 gn 15 min per axis
Shock resistance	30 gn 11 ms 3 chocks in each direction X, Y and Z
Standards	USB 3.0
Product certifications	CSA UL listed
Height	28 mm
Width	28 mm
Depth	44 mm
Product weight	0.0169 kg

## Offer Sustainability

RoHS (date code: YYWW)	Compliant - since 1645 - Schneider Electric declaration of conformity
------------------------	-----------------------------------------------------------------------

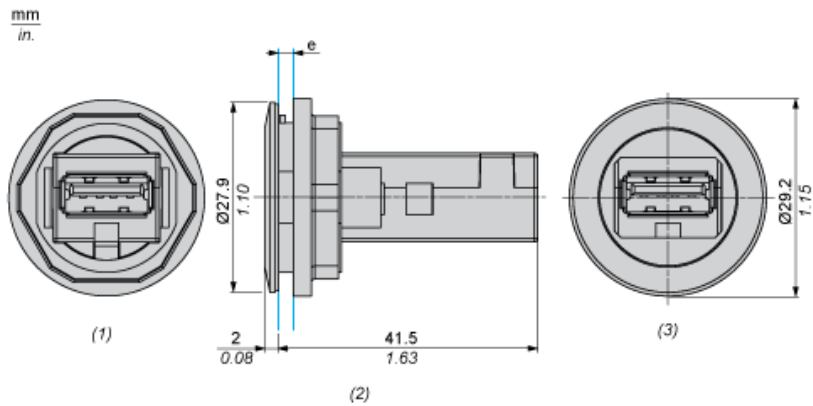
---

REACH

Reference not containing SVHC above the threshold  
Reference not containing SVHC above the threshold

---

Dimensions



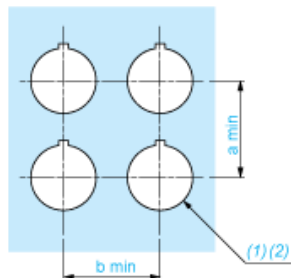
- (1) Rear view
- (2) Side view
- (3) Front view

(e)

Clamping thickness without accessory: 1.5 mm to 5 mm / 0.05 in to 0.19 in  
Clamping thickness with ZBSP1 & ZBSP2: 1.5 mm to 5 mm / 0.05 in to 0.19 in  
Clamping thickness with ZBSP3: 1.5 mm to 2.5 mm / 0.05 in to 0.10 in

Panel Cut-out for Panel Mounted USB Port

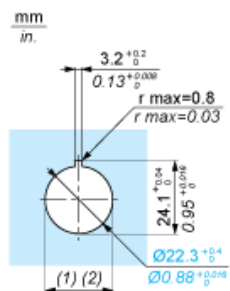
Connection by Screw Clamp Terminals or Plug-in Connectors



- (1) Diameter on finished panel or support
- (2)  $\varnothing 22.5$  mm recommended ( $\varnothing 22.3$  0+0.4) /  $\varnothing 0.89$  in. recommended ( $\varnothing 0.88$  in. 0+0.016)

Connections	a in mm	a in in.	b in mm	b in in.
By screw clamp terminal or plug-in connector	35	1.38	35	1.38

Panel Cut-out



- (1) Diameter on finished panel or support
- (2)  $\varnothing 22.5$  mm recommended ( $\varnothing 22.3$  0+0.4) /  $\varnothing 0.89$  in. recommended ( $\varnothing 0.88$  in. 0+0.016)