



## Main

Range of product	Zelio Relay
Product or component type	Solid state relay
Device short name	SSM1
Phase	1 phase

## Complementary

Mounting support	Symmetrical DIN rail
Line Rated Current	45 A
Output voltage	48...660 V AC
[Uc] control circuit voltage	90...140 V AC
Contacts type and composition	1 NO
Tightening torque	Input : 0.6...0.7 N.m Output : 1.36...1.7 N.m
Connections - terminals	Screw terminals : 1 x 0.2...1 x 3.3 mm <sup>2</sup> , (AWG 24...AWG 12) input Screw terminals : 1 x 0.2...1 x 8.4 mm <sup>2</sup> , (AWG 24...AWG 8) output
Capacitance unbalance	<= 8 pF input/output
Insulation resistance	1000 MOhm at 500 V DC
Local signalling	LED green input status
Switching voltage	90 V AC turn-on 10 V AC turn-off
Input current limits	15 mA at 120 Vrms
Solid state output type	Zero voltage switching SCR output
Load current	0.15...45 A
Absolute maximum voltage	1200 V
Surge current	<= 625 A for 16.6 ms
Voltage drop	1.7 V on-state
Maximum I <sup>2</sup> t for fusing	1620 A <sup>2</sup> .s 8.3 ms
Leakage current	<= 1 mA off-state
DV/dt	500 V/μs off-state at maximum voltage
Response time	10 ms turn-on 40 ms turn-off
Overvoltage category	III
Product weight	1.05 lb(US) (0.476 kg)

## Environment

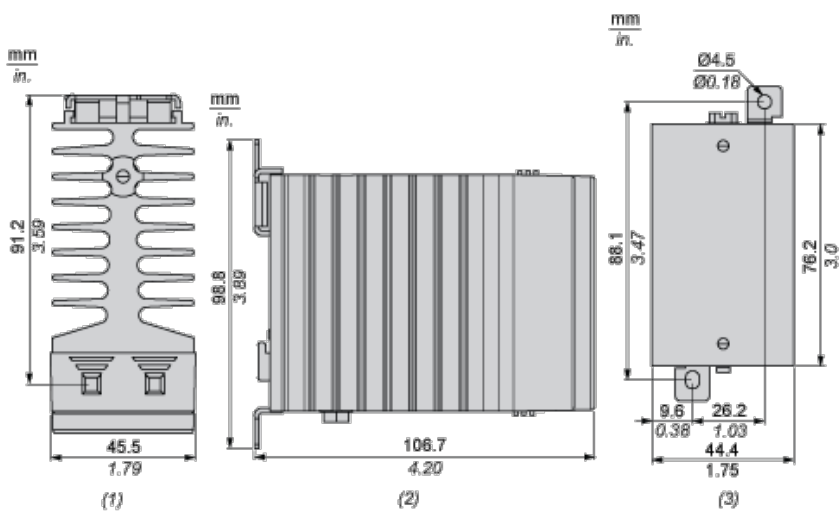
dielectric strength	4 kV AC input/output 4 kV AC input or output to case
pollution degree	2
standards	UL 508 IEC 60950-1 CSA C22.2 No 14
product certifications	CSA UL EAC

marking	CE CSA UL EAC
IP degree of protection	IP20
ambient air temperature for operation	-40...176 °F (-40...80 °C)
ambient air temperature for storage	-40...257 °F (-40...125 °C)

## Offer Sustainability

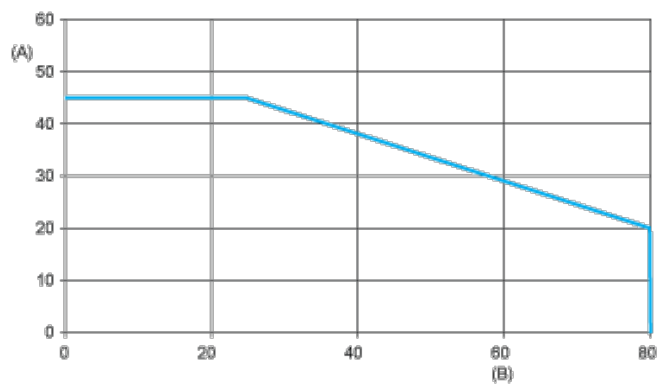
Green Premium product	Green Premium product
Compliant - since 1522 - Schneider Electric declaration of conformity	Compliant - since 1522 - Schneider Electric declaration of conformity
Reference not containing SVHC above the threshold	Reference not containing SVHC above the threshold
Available	Available
Available	Available

## Dimensions



- (1) Top view
- (2) Side view
- (3) Front view

## Derating Curves



- A : Load Current (Amperes)
- B : Ambient Temperature (°C)