



Main

Range of product	Zelio Relay
Product or component type	Solid state relay
Device short name	SSLM
Phase	1 phase

Complementary

Mounting support	Symmetrical DIN rail
Line Rated Current	0.1 A
Output voltage	4...28 V DC
[Uc] control circuit voltage	90...280 V AC
Contacts type and composition	1 NO
Tightening torque	0.6...0.8 N.m
Connections - terminals	Screw terminals : 1 x 0.2...1 x 5.26 mm ² (AWG 24...AWG 10)
Switching voltage	90 V AC turn-on
Load current	0.1 A
Voltage drop	<= 0.5 V on-state
Response time	20 ms turn-on 20 ms turn-off
Overvoltage category	III
Width	0.3 in (7.5 mm)
Height	3.15 in (80 mm)
Depth	2.48 in (63 mm)
Product weight	0.07 lb(US) (0.03 kg)

Environment

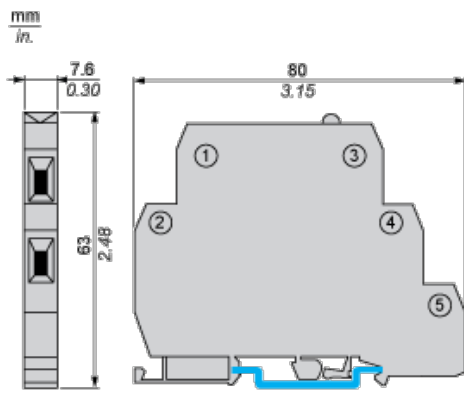
dielectric strength	4000 V for input/output
pollution degree	2
product certifications	CSA UL EAC
marking	CE CSA UL EAC
ambient air temperature for operation	32...158 °F (0...70 °C)

Offer Sustainability

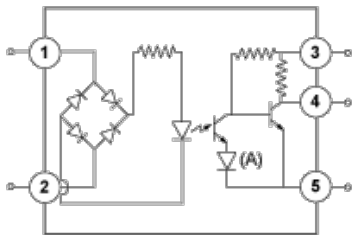
Green Premium product	Green Premium product
Compliant - since 1522 - Schneider Electric declaration of conformity	Compliant - since 1522 - Schneider Electric declaration of conformity
Reference not containing SVHC above the threshold	Reference not containing SVHC above the threshold
Available	Available
Available	Available

The information provided in this documentation contains general descriptions and/or technical characteristics of the performance of the products contained herein. This documentation is not intended as a substitute for and is not to be used for determining suitability or reliability of these products for specific user applications. It is the duty of any such user or integrator to perform the appropriate and complete risk analysis, evaluation and testing of the products with respect to the relevant specific application or use thereof. Neither Schneider Electric Industries SAS nor any of its affiliates or subsidiaries shall be responsible or liable for misuse of the information contained herein.

Dimensions



Wiring Diagram



1,2 : Field VAC

3 : Vcc

4 : Logic

5 : Ground

(A) LED