



### Main

Range of product	Harmony iDisplay
Product or component type	Flat screen
Terminal type	Touchscreen display
Device mounting	Flush
Integrated connection type	DVI-D video port USB 2.0 type A USB 2.0 type mini B drivers up to Windows 8.1

### Complementary

Provided equipment	1 cable 16.40 ft (5 m) DVI-D 1 cable 16.40 ft (5 m) USB type A 1 USB cable mini B USB 2.0
Function available	Brightness sensor
[Us] rated supply voltage	12...24 V DC power supply
Power consumption in W	21 W
Display size	15 inch
Display type	Colour TFT LCD
Display resolution	1024 x 768 pixels XGA
Display colour	16 million colours
Luminance	37.16 Fc (400 cd/m <sup>2</sup> ) 9.29 fc (100 cd/m <sup>2</sup> )
Backlight lifespan	50000 hours
Touch panel	Multi touch analogue resistive, 1000000 cycles
Type of installation	Indoor installation
Cut-out dimensions	383.5 (+ 1/- 0) x 282.5 (+ 1/- 0) mm
Maximum Width	15.63 in (397 mm)
Maximum Height	11.65 in (296 mm)
Depth	2.64 in (67 mm)
Net Weight	11.46 lb(US) (5.2 kg)

### Environment

IP degree of protection	Front panel IP67f Front panel IP66f UL 50E
NEMA degree of protection	NEMA 4X/13 front panel
Standards	UL 508 ANSI/ISA 12-12-01 Class I division 2 CSA C22.2 No 213 CSA C22.2 No 142
Product certifications	ATEX zone 2/22 EAC Marine GL Bridge RCM CE
Ambient air temperature for operation	32...140 °F (0...60 °C) EN 61131-2, UL
Ambient air temperature for storage	-4...140 °F (-20...60 °C)
Pollution degree	2

Vibration resistance	3.5 mm constant amplitude 5...9 Hz) IEC 61131-2 9.8 m/s <sup>2</sup> 9...150 Hz) IEC 61131-2
Shock resistance	147 m/s <sup>2</sup> EN/IEC 61131-2

## Ordering and shipping details

Category	22575 - MAGELIS MC3
Discount Schedule	MC3
GTIN	03606480731105
Nbr. of units in pkg.	1
Package weight(Lbs)	16.3 lb(US) (7.39 kg)
Returnability	No
Country of origin	CN

## Packing Units

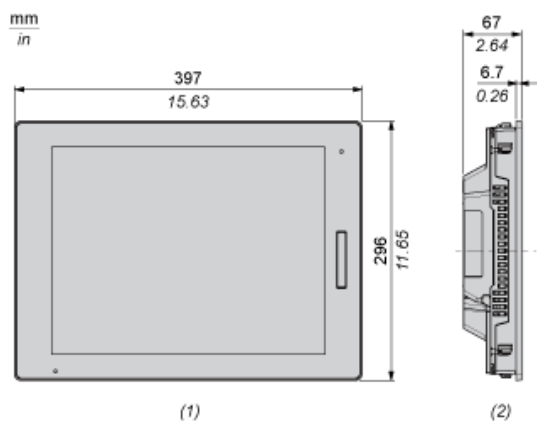
Package 1 Height	5.91 in (150.000 mm)
Package 1 width	14.57 in (370.000 mm)
Package 1 Length	20.47 in (520.000 mm)

## Offer Sustainability

REACH free of SVHC	Yes
EU RoHS Directive	Pro-active compliance (Product out of EU RoHS legal scope) <a href="#">EU RoHS Declaration</a>
Mercury free	Yes
RoHS exemption information	<a href="#">Yes</a>
China RoHS Regulation	<a href="#">China RoHS Declaration</a>
WEEE	The product must be disposed on European Union markets following specific waste collection and never end up in rubbish bins.

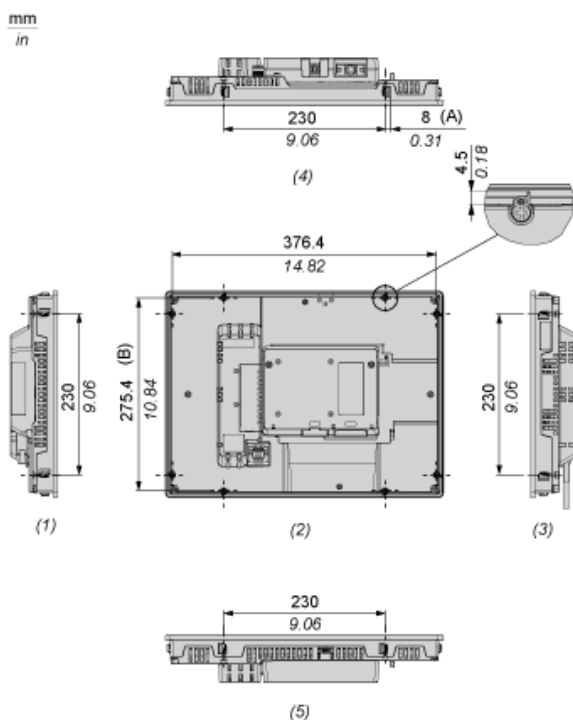
Dimensions

External Dimensions



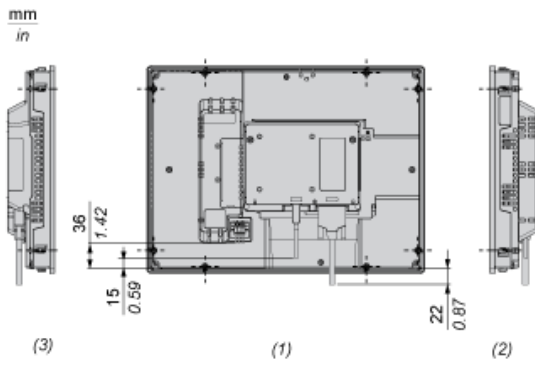
- (1) Front
- (2) Left

Installation with Installation Fasteners



- (A) Rotation area of the fastener
- (B) Pitch of the centre of installation fastener screws
- (1) Left
- (2) Rear
- (3) Right
- (4) Bottom
- (5) Top

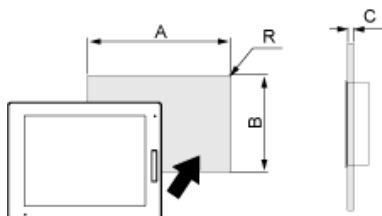
## Dimensions with Cables



- (1) Rear
- (2) Right
- (3) Left

## Mounting

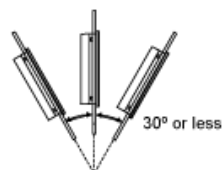
### Panel Cut Dimensions



A		B		C		R	
mm	in.	mm	in.	mm	in.	mm	in.
383.5 (+1/-0)	15.1 (+0.04/-0)	282.5 (+1/-0)	11.12 (+0.04/-0)	1.6...5	0.06...0.2	3 max.	0.12 max.

## Installation Requirements

### Mounting Angle



When installing this product in a slanted position with an incline more than 30°, the ambient temperature must not exceed 40 °C (104 °F). You may need to use forced air cooling (fan, A/C) to ensure the ambient operating temperature is 40 °C or less (104 °F or less).

### Clearance

