



Price* : 521.00 USD



Main

Range of product	Modicon M340 automation platform
Product or component type	Discrete output module
Product specific application	For severe environments
Electrical connection	20-way connector
Discrete output number	16 conforming to EN/IEC 61131-2
Discrete output type	Relay
Discrete output voltage	24 V 19...30 V DC 240 V 200...264 V AC

Complementary

[I _{th}] conventional free air thermal current	2 A
Insulation resistance	> 10 MOhm 500 V DC
Power dissipation in W	<= 3 W
Response time on output	<= 10 ms activation <= 12 ms deactivation
Typical current consumption	100 mA at 3.3 V DC
MTBF reliability	2463296 H
Protection type	AC inductive overvoltage protection DC inductive overvoltage protection External overload protection External short-circuit protection
Output overload protection	Use 1 fast blow fuse per channel or group of channel
Output overvoltage protection	Use discharge diode on each output DC Use RC circuit on each output AC Use ZNO surge limiter on each output AC
Output short-circuit protection	Use 1 fast blow fuse per channel or group of channel
Minimum switching current	1 mA 5 V DC

Electrical durability	100000 cycles AC-14 120 W 240 V 0.7 at 158 °F (70 °C) 100000 cycles AC-14 150 W 200 V 0.7 at 158 °F (70 °C) 100000 cycles AC-15 100 W 200 V 0.35 at 158 °F (70 °C) 100000 cycles AC-15 600 W 240 V 0.35 at 158 °F (70 °C) 100000 cycles DC-13 12 W 24 V at 158 °F (70 °C) 100000 cycles DC-13 5 W 100 V at 158 °F (70 °C) 300000 cycles AC-14 36 W 240 V 0.7 at 158 °F (70 °C) 300000 cycles AC-14 40 W 200 V 0.7 at 158 °F (70 °C) 300000 cycles AC-15 18 W 240 V 0.35 at 158 °F (70 °C) 300000 cycles AC-15 30 W 200 V 0.35 at 158 °F (70 °C) 300000 cycles DC-13 1.5 W 100 V at 158 °F (70 °C) 300000 cycles DC-13 3.6 W 24 V at 158 °F (70 °C) 100000 cycles AC-14 240 VA 240 V 0.7 at -13...140 °F (-25...60 °C) 100000 cycles AC-14 300 VA 200 V 0.7 at -13...140 °F (-25...60 °C) 100000 cycles AC-15 120 VA 240 V 0.35 at -13...140 °F (-25...60 °C) 100000 cycles AC-15 200 VA 200 V 0.35 at -13...140 °F (-25...60 °C) 100000 cycles DC-13 10 W 100 V at -13...140 °F (-25...60 °C) 100000 cycles DC-13 24 W 24 V at -13...140 °F (-25...60 °C) 300000 cycles AC-14 72 VA 240 V 0.7 at -13...140 °F (-25...60 °C) 300000 cycles AC-14 80 VA 200 V 0.7 at -13...140 °F (-25...60 °C) 300000 cycles AC-15 36 VA 240 V 0.35 at -13...140 °F (-25...60 °C) 300000 cycles AC-15 60 VA 200 V 0.35 at -13...140 °F (-25...60 °C) 300000 cycles DC-13 3 W 100 V at -13...140 °F (-25...60 °C) 300000 cycles DC-13 7.2 W 24 V at -13...140 °F (-25...60 °C)
Status LED	1 LED per channel green channel diagnostic 1 LED red ERR 1 LED red I/O 1 LED green RUN
Product weight	0.33 lb(US) (0.15 kg)


Environment

IP degree of protection	IP20
Standards	CSA C22.2 No 142 IEC 664 IEC 1131-2 UL 746C UL 508 NF C 63-850
Dielectric strength	2000 V AC at 50/60 Hz 1 min
Ambient air temperature for operation	-13...158 °F (-25...70 °C)
Relative humidity	10...95 % without condensation
Protective treatment	Conformal coating Humiseal 1A33 TC
Environmental characteristic	3C3 conforming to EN/IEC 60721-3-3 3C4 conforming to EN/IEC 60721-3-3

Ordering and shipping details

Category	18160 - MODICON M340
Discount Schedule	PC34
GTIN	00785901647928
Nbr. of units in pkg.	1
Package weight(Lbs)	1
Returnability	N
Country of origin	FR

Offer Sustainability

Sustainable offer status	Green Premium product
RoHS (date code: YYWW)	Compliant - since 0911 - Schneider Electric declaration of conformity  Schneider Electric declaration of conformity
REACH	Reference not containing SVHC above the threshold Reference not containing SVHC above the threshold
Product environmental profile	Available

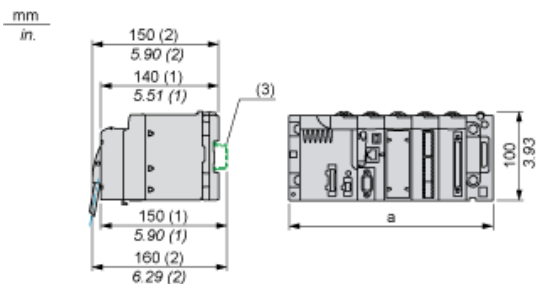
Product end of life instructions	Available
----------------------------------	-----------

Contractual warranty

Warranty period	18 months
-----------------	-----------

Modules Mounted on Racks

Dimensions

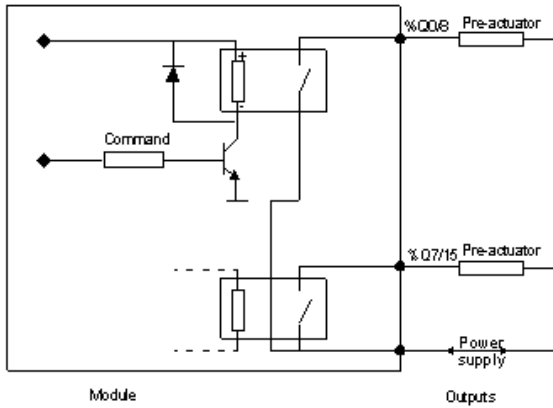


- (1) With removable terminal block (cage, screw or spring).
- (2) With FCN connector.
- (3) On AM1 ED rail: 35 mm wide, 15 mm deep. Only possible with BMXXBP0400/0400H/0600/0600H/0800/0800H rack.

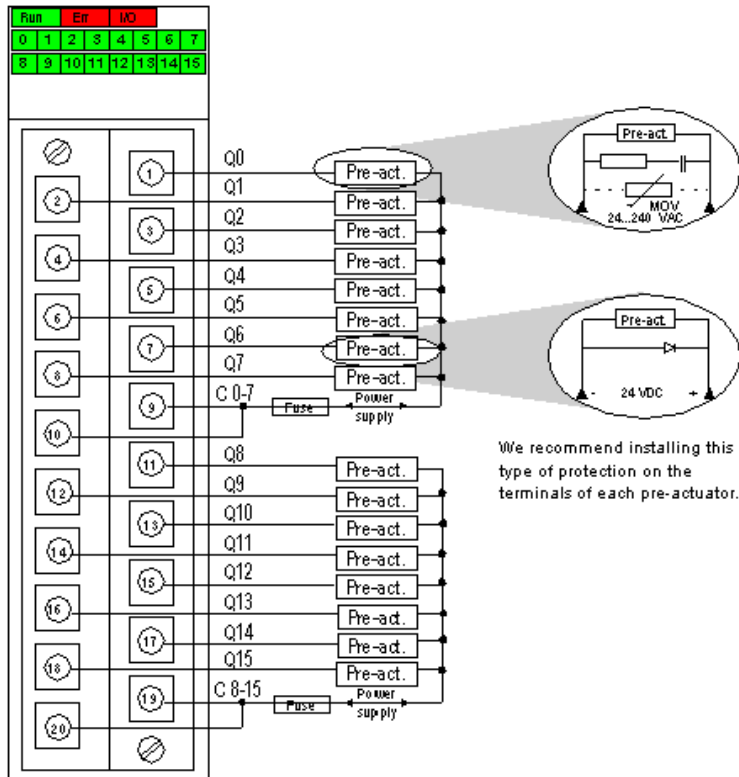
Rack references	a in mm	a in in.
BMXXBP0400 and BMXXBP0400H	242.4	09.54
BMXXBP0600 and BMXXBP0600H	307.6	12.11
BMXXBP0800 and BMXXBP0800H	372.8	14.68
BMXXBP1200 and BMXXBP1200H	503.2	19.81

Connecting the Module

Output Circuit Diagram



Module Connection



power 24 VDC or 24...240 VAC
fuse 1 fast blow fuse of 12 A for each 8-channel group