

Product availability : Stock - Normally stocked in distribution facility



Price\* : 1370.00 USD



### Main

Range of product	Modicon X80
Product or component type	Ethernet RIO drop adaptor

### Complementary

Bus type	Bus X across the remote backplane
Number of port	2
Integrated connection type	Ethernet/IP (device network)
Communication port protocol	Ethernet/IP
Communication service	Diagnostics for remote I/O devices Configure IP parameters Output modules are updated with the data received from remote I/O head adaptor The input data are collected and published to the remote I/O head adaptor RSTP support
Function available	CCOTF (configuration change on the fly)
Topology	Daisy chain loop
Local signalling	1 LED - green module active (RUN) 1 LED - red module error (ERR) 1 LED - green/red module status (Mod Status) 1 LED - green/red network communication status (Net Status) 1 LED - green Ethernet link diagnostics (STS)
Product compatibility	0...128 discrete I/O module 0...16 analog I/O module
Marking	CE
Module format	Standard

### Environment

Environmental characteristic	Standard environment
Product certifications	C-Tick Merchant Navy GOST

Standards	UL 1604 CSA C22.2 No 213 UL 508 EN 61131-2 CSA C22.2 No 142
IP degree of protection	IP20
Ambient air temperature for operation	-13...158 °F (-25...70 °C)
Ambient air temperature for storage	-40...185 °F (-40...85 °C)
Operating altitude	<= 6561.68 ft (2000 m)
Altitude transport	<= 9842.52 ft (3000 m)
Relative humidity	95 % without condensation

### Ordering and shipping details

Category	18160 - MODICON M340
Discount Schedule	PC34
GTIN	00785901134121
Nbr. of units in pkg.	1
Package weight(Lbs)	0.5200000000000002
Returnability	N
Country of origin	FR

### Offer Sustainability

Sustainable offer status	Green Premium product
RoHS (date code: YYWW)	Compliant - since 1209 - Schneider Electric declaration of conformity <a href="#">Schneider Electric declaration of conformity</a>
REACH	Reference not containing SVHC above the threshold <a href="#">Reference not containing SVHC above the threshold</a>
Product environmental profile	Available
Product end of life instructions	Available

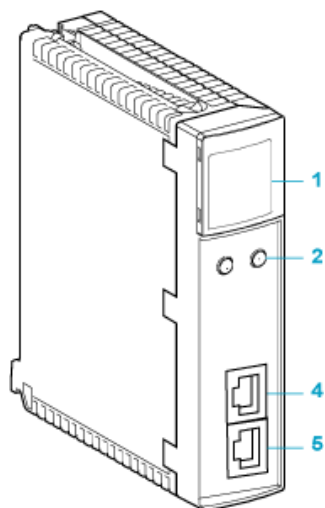
### Contractual warranty

Warranty period	18 months
-----------------	-----------

---

## Presentation

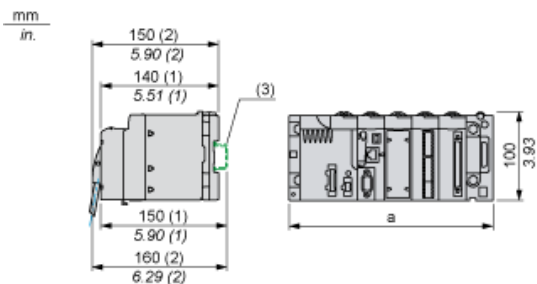
---



- 1 : LED display
- 2 : rotary switches
- 4 : DEVICE NETWORK port (ETH 2)
- 5 : DEVICE NETWORK port (ETH 3)

Modules Mounted on Racks

Dimensions



- (1) With removable terminal block (cage, screw or spring).
- (2) With FCN connector.
- (3) On AM1 ED rail: 35 mm wide, 15 mm deep. Only possible with BMXXBP0400/0400H/0600/0600H/0800/0800H rack.

Rack references	a in mm	a in in.
BMXXBP0400 and BMXXBP0400H	242.4	09.54
BMXXBP0600 and BMXXBP0600H	307.6	12.11
BMXXBP0800 and BMXXBP0800H	372.8	14.68
BMXXBP1200 and BMXXBP1200H	503.2	19.81