

BMXCPS3540T

power supply module X80 - 125 V DC - for extended temperature

Product availability : Stock - Normally stocked in distribution facility



Price* : 873.00 USD



Main

Range of product	Modicon M340 automation platform
Product or component type	Power supply module
Product compatibility	Not compatible with BMEXBP..02
Product specific application	Extended temperature
Primary voltage	125 V
Supply circuit type	DC
Total useful secondary power	≤ 31.2 W at $-13...158$ °F ($-25...70$ °C)
Secondary power	15 W 3.3 V DC I/O module logic power supply 31.2 W 24 V DC I/O module power supply and processor

Complementary

Primary voltage limit	100...150 V
Power supply input current	350 mA 125 V
Inrush current	30 A 125 V
I^2t on activation	≤ 2 A ² .s 125 V
I_t on activation	≤ 0.05 A.s 125 V
Protection type	Internal fuse not accessible primary circuit Overload protection secondary circuit, 24 V sensor power supply Overvoltage protection secondary circuit, 24 V sensor power supply Short-circuit protection secondary circuit, 24 V sensor power supply
Current at secondary voltage	1.3 A 24 V DC I/O module power supply and processor 4.5 A 3.3 V DC I/O module logic power supply
Power dissipation in W	≤ 8.5 W
Status LED	1 LED green rack voltage OK 1 LED green sensor voltage
Control type	RESET push-button cold restart
Electrical connection	1 connector 2 pin(s) alarm relay 1 connector 5 pin(s) line supply, protective earth, 24 V DC input sensor

Insulation resistance	>= 100 MOhm primary/ground >= 100 MOhm primary/secondary
Product weight	0.79 lb(US) (0.36 kg)

Environment

Immunity to microbreaks	<= 1 ms
Dielectric strength	500 V 24 V sensor output/ground 2000 V primary/secondary I/O module logic power supply
IP degree of protection	IP20
Standards	IEC 61131-2 EN 61131-2
Ambient air temperature for storage	-40...185 °F (-40...85 °C)
Ambient air temperature for operation	-13...158 °F (-25...70 °C)
Relative humidity	10...95 % without condensation
Protective treatment	TC

Ordering and shipping details

Category	18160 - MODICON M340
Discount Schedule	PC34
GTIN	00785901675853
Nbr. of units in pkg.	1
Package weight(Lbs)	1.0600000000000001
Returnability	Y
Country of origin	ID

Offer Sustainability

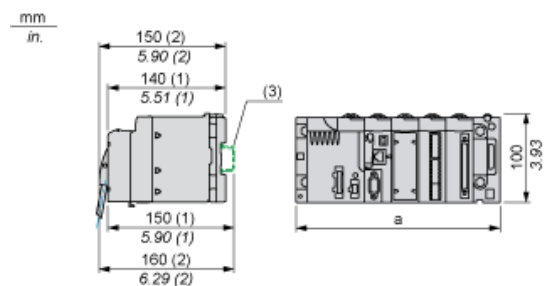
Sustainable offer status	Green Premium product
RoHS (date code: YYWW)	Compliant - since 1015 - Schneider Electric declaration of conformity Schneider Electric declaration of conformity
REACH	Reference not containing SVHC above the threshold Reference not containing SVHC above the threshold
Product environmental profile	Available
Product end of life instructions	Available

Contractual warranty

Warranty period	18 months
-----------------	-----------

Modules Mounted on Racks

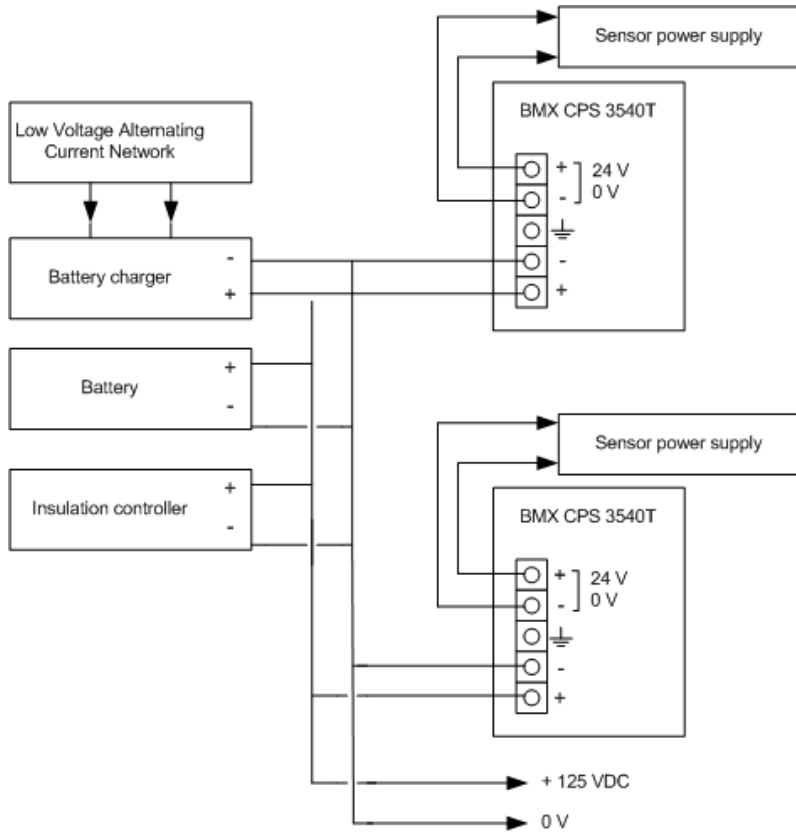
Dimensions



- (1) With removable terminal block (cage, screw or spring).
- (2) With FCN connector.
- (3) On AM1 ED rail: 35 mm wide, 15 mm deep. Only possible with BMXXBP0400/0400H/0600/0600H/0800/0800H rack.

Rack references	a in mm	a in in.
BMXXBP0400 and BMXXBP0400H	242.4	09.54
BMXXBP0600 and BMXXBP0600H	307.6	12.11
BMXXBP0800 and BMXXBP0800H	372.8	14.68
BMXXBP1200 and BMXXBP1200H	503.2	19.81

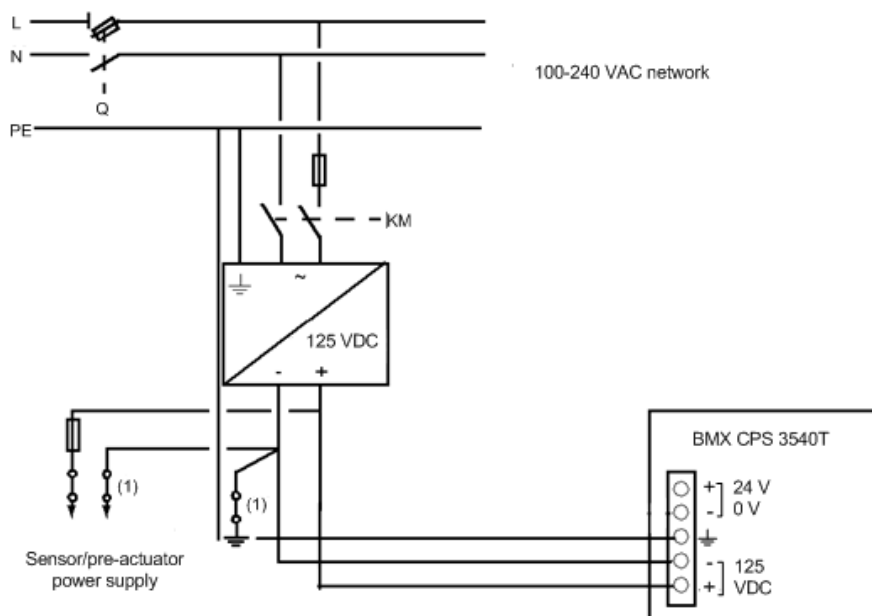
Connection of Direct Current Power Supply Modules to a 125 VDC Floating Direct Current Network



125 VDC floating network for the power supply of sensors, actuators and input/out modules.

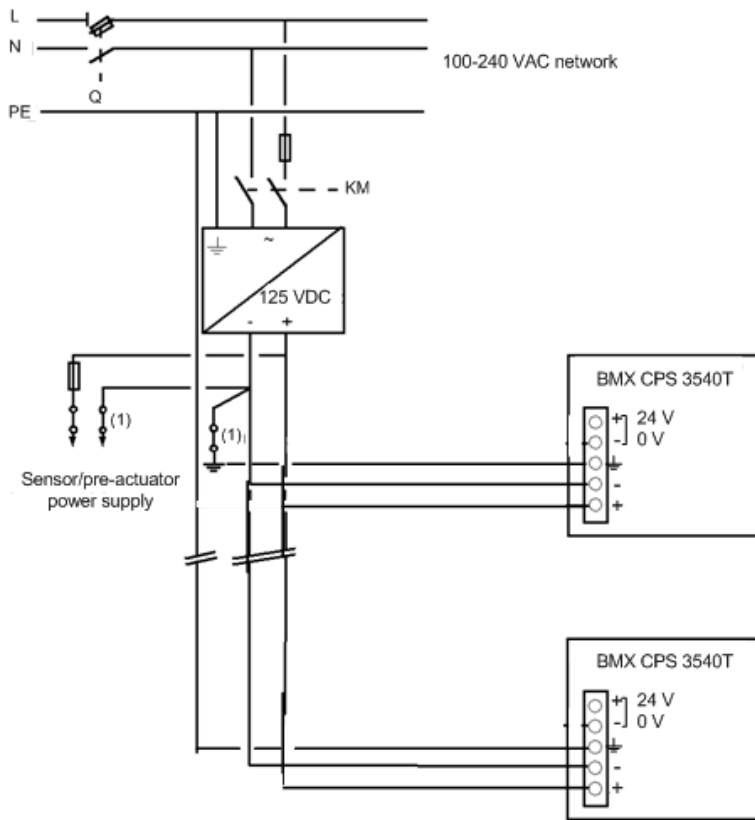
Connection of Direct Current Power Supply Modules to an Alternating Current Network

Connection of a Single Rack PLC Station



- Q General isolator
- KM Line contactor or circuit breaker
- (1) Insulation connector bar for grounding

Connection of a Multi-Rack PLC Station



- Q General isolator
- KM Line contactor or circuit breaker
- 1 Insulation connector bar for grounding