

140AVI03000

analog input module Modicon Quantum - 8 I
multirange

Product availability : Stock - Normally stocked in distribution facility

Price* : 3926.10 USD



Main

Range of product	Modicon Quantum automation platform
Product or component type	Analogue input module
Type of filter	Single pole low pass - 3 dB at 847 Hz +/- 20 %

Complementary

Analogue input number	8
Input type	Differential
Addressing requirement	9 input words
Analogue input type	Bipolar current 20 mA Bipolar voltage +/- 10 V Bipolar voltage +/- 5 V Unipolar current 0...20 mA Unipolar voltage 0...10 V Unipolar voltage 0...5 V
Analogue input resolution	16 bits +/- 10 V 16 bits +/- 5 V 16 bits 0...10 V 16 bits 0...20 mA 16 bits 0...5 V 16 bits 20 mA
Linear measuring range	(Input range) x 1.024 mA (Input range) x 1.024 V
Absolute maximum input	25 mA 50 V DC
Input impedance	> 20 Ohm voltage 250 MOhm +/- 0.03 %
Absolute accuracy error	+/- 0.03 % +/- 0.05 % of full scale maximum
Linearity error	+/- 0.008 %

Accuracy drift according to temperature	+/- 0.0015 % of full scale/°C <= 0.004 % of full scale /°C
Common mode rejection	> -80 dB 60 Hz
Isolation between channels and bus	500 Vrms AC for 60 s 750 V DC
Isolation between channels	200 V DC 135 Vrms AC
Update time	10 ms
Fault type	Broken wire 4...20 mA Overtaking scale 1...5 V
Marking	CE
Local signalling	1 LED green bus communication is present (Active) 1 LED red external fault 8 LEDs green channel is turned on 8 LEDs red channel fault
Bus current requirement	280 mA
Power dissipation in W	2.2 W
Module format	Standard
Product weight	0.66 lb(US) (0.3 kg)

Environment

Standards	CSA C22.2 No 142 UL 508
Product certifications	CUL FM Class 1 Division 2
Resistance to electrostatic discharge	4 kV contact conforming to IEC 801-2 8 kV on air conforming to IEC 801-2
Resistance to electromagnetic fields	9.14 V/yd (10 V/m) 80...1000 MHz conforming to IEC 801-3
Ambient air temperature for operation	32...140 °F (0...60 °C)
Ambient air temperature for storage	-40...185 °F (-40...85 °C)
Relative humidity	95 % without condensation
Operating altitude	<= 16404.2 ft (5000 m)

Ordering and shipping details

Category	18155 - QUANTUM I/O & POWER SUPPLIES
Discount Schedule	PC21
GTIN	00785901792277
Nbr. of units in pkg.	1
Package weight(Lbs)	1.01
Returnability	Y
Country of origin	FR

Offer Sustainability

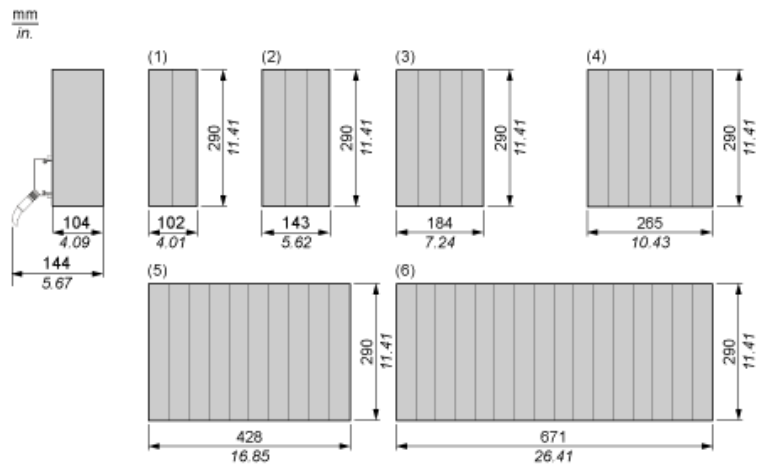
Sustainable offer status	Green Premium product
RoHS (date code: YYWW)	Compliant - since 0951 - Schneider Electric declaration of conformity Schneider Electric declaration of conformity
REACH	Reference not containing SVHC above the threshold Reference not containing SVHC above the threshold
Product environmental profile	Available
Product end of life instructions	Available

Contractual warranty

Warranty period	18 months
-----------------	-----------

Racks for Modules Mounting

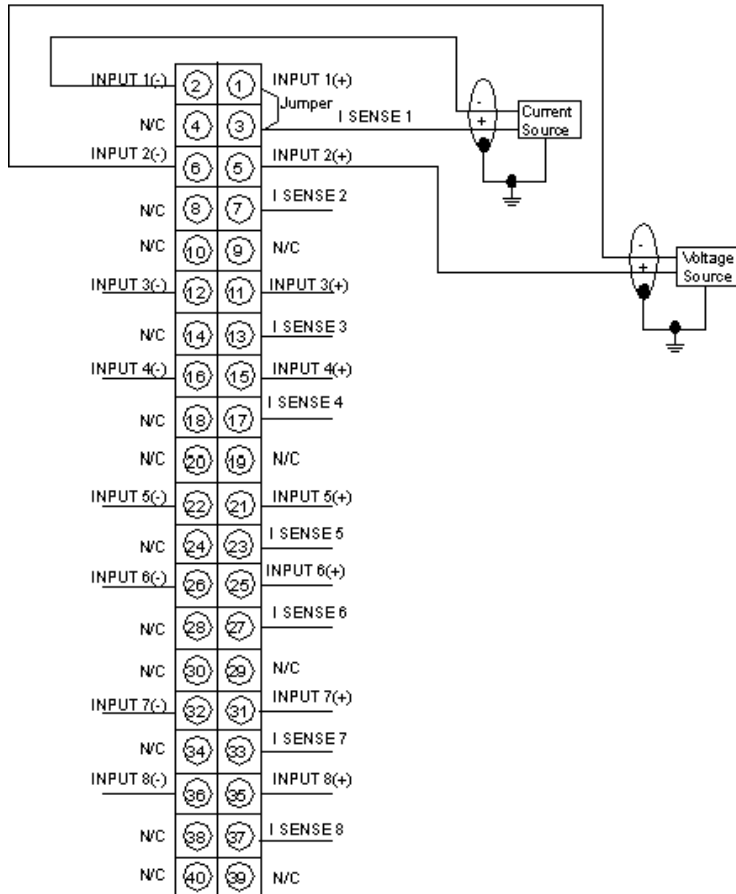
Dimensions of Modules and Racks



- (1) 2 slots
- (2) 3 slots
- (3) 4 slots
- (4) 6 slots
- (5) 10 slots
- (6) 16 slots

Analog Input 8-Channel Bipolar Module

Wiring Diagram



N/C Not Connected