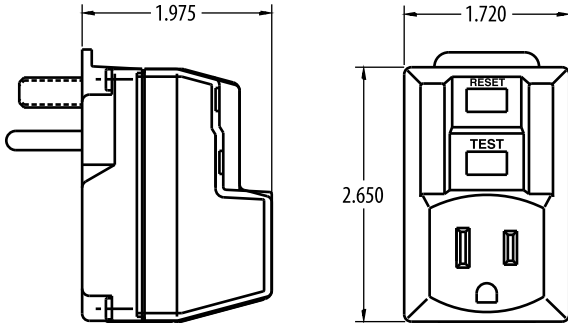


Single Outlet GFCI Adapters



14650 013-6



Single Outlet GFCI Adapters

Provides GFCI and single mode surge protection (listed UL 1449) with any appliance or tool used indoors. Its small size (less than 3" high and 2" wide) makes it perfect for the toolbox and offers portable protection for institutional and residential applications:

- ▶ Cost effective
- ▶ Perfect for Power Tools, Saws, Drills, Extension Cords, Lighting

To prevent unmonitored equipment startup, manual reset is required after GFCI trip and power outage. Available in yellow with button boots or white. Provides compliance with National Electric Code (NEC 2008) Article 590.6 for "Temporary Installations."

FEATURES

14650 006-6 (White) (i)

14650 023-5 (White) CCI 02800

14650 013-6 (Yellow)

- ▶ Volts/Amps: 120V/15A
- ▶ NEMA 5-15 P & R
- ▶ Trip Level: 4 - 6 mA
- ▶ MOV - 314 joules



TECHNICAL DATA

Grounded Neutral	4 Ohms typical
Trip response time for ground fault and grounded neutral trip	less than 25mS
Voltage surge withstand	3kv ringwave test and 4kv/2kA surge immunity test
Radio frequency noise susceptibility	operates within normal limits with 0.5 volts injected on power line 150kHz-230mHz
Frequency	50 / 60 Hz
Endurance	3,000 operations minimum
Overload Current	six times rated current
Operating temperature range	-35°C to 66°C
Effect of 10 Amp turn DC Shock on ground fault trip	5% maximum trip level variation
Insulation voltage	1500 VRMS - 1 Min.
Power On indication	mechanical indicator