

SELECTA®



EARNING CUSTOMER TRUST SINCE 1976

CATALOG NO. L-SSCAT ISSUE 4

This catalog represents the fastest moving products. Call for availability of additional items.



A
At Selecta Switch, we have focused on earning your trust for over 23 years. Today, thousands of distributors rely on us to deliver quality products at reasonable prices, on time every day. We are your One-Stop-Shop for over 100 lines from top quality manufacturers such as MICRO SWITCH, Potter & Brumfield, CRC, Eaton, Cutler-Hammer, Carlingswitch, Arrow Hart, Chemtronics and Crouzet to name a few. We support you with our leading P-O-P displays, racks, and sales tools.

Trust us to be here when you need answers through our nationwide network of experienced manufacturers' representatives and our Customer Service Center (available from 6:00 a.m. – 5:00 p.m. Pacific Time). We're here when you need us.

We sell only through distribution, so you can count on us to make joint sales calls with your outside team, conduct counter days to train your inside sales team and drop ship to your customer. With Selecta Switch, you are covered inside and out.

This catalog represents the fastest moving products from our largest suppliers. You can expect excellent availability on these specific listings. Remember, virtually all products from our suppliers are available to you through Selecta.

Call today; find out why thousands of top distributors choose us every day.

Put your trust in Selecta. Let us perform for you.





Product Index

Chemicals

- Audio/Video & Cleaner Degreasers1
- Repair/Prototype2
- Lubricants/Adhesives/Epoxies3
- Conformal Coatings & Contact Cleaners4
- Dusters5
- Flux Removers & Freeze Sprays6
- Lubricants/Cleaners/Masking Agents/Anti Static7-11
- Specialty Products12
- Spray Paints13-14

Circuit Breakers

- Thermal/Magnetic57

Clips

- Alligator/Battery Booster/Battery15
- Crocodile/General Purpose Test/Mini-Gator/Welding16

Contractors

- Definite Purpose17-21

Conversion Table

- Tables for Conversion from Inches Into Millimeters121

Counters & Timers

- Totalizing Counters & Multifunction Timers41
- Chronos 2 & Guide to Selecting a Range42

Indicator Lights

- Incandescent, Neon, & LED22-29
- Round Indicating Lamp Holders & Replacement Lamps30
- Bare LEDs31-33
- Ordering Information34-35

Index

- Part Number Index115-120

Logic Boards

- Plug-Compatible Logic Boards (PCB)44-48

Modules

- I/O Modules43

Relays

- General Purpose36-39 & 51-56 & 58
- Sockets40
- Solid State49
- Cross Reference112-114

Sockets

- General Purpose50

Product Index

Switches

Accessories	59-60
Subminiature Basic Precision	61
SX Suminiature Basic Precision	62
V3 Miniature Basic Precision	63
BZ Basic Precision	64-65
BA/DT Series Basic Precision	66
Miniature Enclosed	67
Compact Enclosed	68-69
Sealed Enclosed	70
Enclosed High Capacity	71
Global Limit	72
Heavy Duty	73-74
Proximity Sensors	75
Micro Switch - EX/OP Series	76
Miniature Basic	108-111
Miscellaneous	77-78
Pushbutton	79-82
Rockers	83-91
Round Hole Rockers	92
Toggle	93-102 & 110


Terminals

Butt Connectors	103
Pigtails, Plugs, Receptacles	104
Ring Tongue Solderless	105
Spade Tongue	106
T-Tap Female Quick Slide	107

"Selecta" and "Selecta Switch" are registered marks ("Marca Registrada," "Marque Déposée") of Selecta Switch, Inc., a California corporation.

All specifications and dimensions are for reference only. If specific information is needed and/or is of critical nature, contact Selecta Switch headquarters for specific information before ordering.

Featured Manufacturers

Featured Manufacturer	Product Lines	Page No.
	Models 86 & 93 Series Definite Purpose	17-19
	Audio/Video & Cleaner Degreasers CircuitWorks® Repair/Prototype Tools CircuitWorks® Lubricants & Adhesives/Epoxies Konform AR/SR & Contact Cleaners/Lubricants All-Wau/Duster/Duster System/Ultrajet®/Ultrajet® 70 Flux Removers & BrushClean™ System/Freeze Sprays Lubricants/Refurbishing Cleaners/Solder Masking Agent/Anti Static Desoldering Braid Presaturated Swabs & Wipes/Swabs & Applicators	1 2 3 4 5 6 7 8 9
	Miniature Pushbutton Switches Miniature Rocker Switches Miniature - Maintained Contact Miniature - Momentary Contact	79 83 93 94
	Cleaners/Degreasers/Dusters Cleaners/Lubricants Specialty Products Spray Paints	10 11 12 13-14
	Totalizing Counter & Multifunction Timers Chronos 2 & Guide to Selecting a Range Digital I/O 0.6 Modules/M-Series/SM-Series Plug-Compatible Logic Boards (PCB) Solid State Relays	41 42 43 44-48 49
	Definite Purpose	20-21
MICRO SWITCH a Honeywell Division	Accessories/Replacement Parts SM Subminiature Basic Precision Switches SX Subminiature Basic Precision Switches V3 Miniature Basic Precision Switches BZ Basic Precision Switches BA/DT Series Basic Precision Switches 914CE Miniature Pre-Wired Enclosed Switches E6/V6 Compact Enclosed Switches BZG Sealed Enclosed Switches BAF1 Enclosed High Capacity Switches Global Limit Switches HDLS Heavy Duty Switches 990 Series Proximity Sensors EX/OP Series Switches	60 61 62 63 64-65 66 67 68-69 70 71 72 73-74 75 76
	Alligator/Battery Booster/Battery Clips Battery/Crocodile/General Purpose Test/Mini-Gator/Welding Clips	15 16
OMRON	General Purpose Relays	36-37
	General Purpose Sockets Dry Reed/Miniature General Purpose Relays Hi-Voltage/High Power/VDE Approved/Magnetic Latching Relays General Purpose/Relay Accessories/Sockets/Heavy Duty Relays Circuit Breakers Thermal/Magnetic	50 51 52 53-56 57

1912

1912

1912

1912

1912

1912

1912

1912

1912

1912

1912

1912

1912

1912

Audio/Video & Cleaner Degreasers



Audio/Video Cleaner

Description	Plastic Safe	Flammable	Ozone Safe CFC/HCFC Free	Part Number	Fig. No.
Audio/Video Cleaner (5 oz. aerosol)	Yes	No	No ²	ES882	1
Head Cleaner™ II (6 oz. aerosol)	Yes	Yes	Yes	ES820 ¹	1
Head Cleaner™ II (8 fl. oz. liquid)	Yes	Yes	Yes	ES820L ¹	1
Tun-O-Wash® Cleaner (12.5 oz. aerosol)	Yes	Yes	Yes	ES2400	1
Tuner Renu® Cleaner Lubricant (5 oz. aerosol)	Yes	No	No ²	ES883	1
Tuner Renu® Cleaner Lubricant (12.5 oz. aerosol)	Yes	No	No ²	ES1661	1

NOTES: All Audio/Video cleaners leave no residue and dry fast.

Cleaner Degreaser

Description	Cleaning Strength	Plastic Safe	Flammable	Ozone Safe CFC/HCFC Free	Part Number	Fig. No.
ELECTRO-WASH® CZ (12 oz. aerosol)	Regular	Yes	No	Yes	ES7100 ^{3,5}	-
ELECTRO-WASH® NR (12 oz. aerosol)	Regular	♦	No	No ²	ES1604 ³	-
ELECTRO-WASH® NX (14.5 oz. aerosol)	X Strength	♦	No	No ²	ES1601 ³	-
ELECTRO-WASH® NX (18 oz. aerosol)	X Strength	♦	No	No ²	ES2201 ³	-
ELECTRO-WASH® PN (12 oz. aerosol)	Regular	Yes	No	No ²	ES1675 ³	-
ELECTRO-WASH® PX (5 oz BrushClean™ System)	X Strength	Yes	Yes	Yes	ES810B ^{3,4}	-
ELECTRO-WASH® PX (12.5 oz. aerosol)	X Strength	Yes	Yes	Yes	ES1210 ^{3,4}	-



- 1 Use with Chamois Tips™ Swabs.
 - 2 CFC free, contains HCFCs.
 - 3 All Cleaner Degreaser aerosols can be sprayed in any direction, even upside down without the risk of dispensing a liquid spray that can freeze or damage sensitive surfaces. Look for the "All-Way Spray" icon on the can.
 - 4 Removes organic and ionic soils. May be used in cold dip and rinsing application.
 - 5 Introducing **CIROZANE™** CFC Replacement Chemistry made with HFE from 3M.
- ♦ Test on plastics.

NOTES: All cleaner degreaser leave no residue and dry fast.



*"You can't build a reputation on
what you're going to do."*

— Henry Ford

CircuitWorks® Repair/Prototype Tools



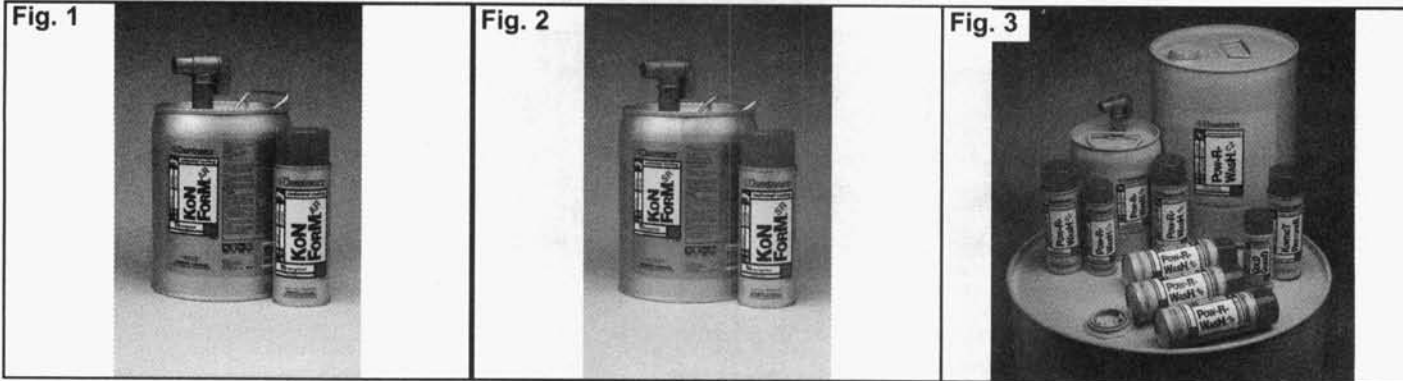
Description	Part Number	Fig. No.
CircuitWorks® Conductive Pen (Standard Tip) 8.5 g (0.3 oz.)	CW2200STP	1
CircuitWorks® Conductive Pen (Micro Tip) 8.5 g (0.3 oz.) <i>Quickly creates conductive silver traces on most surfaces</i> <i>Valved pen tip for easy applications</i> <i>Solderable at low temperatures</i> <i>Dries in minutes at room temperature.</i>	CW2200MTP	1
CircuitWorks® Flex Conductive Pen (Micro Tip) 8.5 g (0.3 oz.) <i>Quickly creates flexible conductive silver traces on Mylar® and flex circuitry.</i> <i>Dries in minutes at room temperature</i> <i>Highly adherent polymer system</i>	CW2900	1
CircuitWorks® Overcoat Pen (Green) 4.9 g (0.16 oz.)	CW3300G	1
CircuitWorks® Overcoat Pen (Clear) 4.9 g (0.16 oz.) <i>Protects Conductive Pen traces</i> <i>Repairs permanent solder mask</i> <i>Protects against shorting, arcing, abrasion, and moisture</i> <i>Dries in minutes at room temperature</i>	CW3300C	1
CircuitWorks® Conformal Coating Remover Pen 9 g (0.32 oz.) <i>Removes most types of coatings in seconds and evaporates quickly</i> <i>Spot cleans tight tolerance areas on circuit boards</i> <i>Marker dispenser provides controlled and exact application</i> <i>Provides low surface tension for superior wetting</i>	CW3500	1
CircuitWorks® No Clean Flux Dispensing Pen 9 g (0.32 oz.) <i>Applies a patented noncorrosive, halide free, organic no clean flux</i> <i>Flux meets Bellcore TR-NWT-000078 & IPC SF-818 for Surface Insulation Resistance</i>	CW8100	1
CircuitWorks® Rosin Flux Dispensing Pen 9 g (0.32 oz.) <i>Applies a noncorrosive Type R flux</i> <i>Flux meets MIL-F-14256 E+F Type R and RMA</i>	CW8200	1
CircuitWorks® no Clean Flux Remover Pen 9 g (0.32 oz.)	CW9100	1
CircuitWorks® Rosin Flux Remover Pen 8 g (0.28 oz.)	CW9200	1
CircuitWorks® Water Soluble Flux Remover Pen 8 g (0.28 oz.) <i>Completely removes flux in seconds & dries fast</i> <i>Spot cleans tight tolerance areas on circuit boards</i> <i>Marker dispenser provides controlled and exact application</i>	CW9300	1
CircuitWorks® Rubber Keypad Repair Kit (Single Pack) Adhesive 3 g (0.1 oz.); Curing agent 0.3 g (0.01oz.)	CW2605	1
CircuitWorks® Rubber Keypad Repair Kit (Twin Pack) Adhesive 5 g (0.18 oz.); Curing agent 0.5 g (0.02 oz.) <i>Restores electrical conductivity to worn carbon contacts</i> <i>Forms a tough, flexible, wear-resistant surface</i> <i>CW2605 repairs over 50 rubber button contacts; CW2610 repairs over 200 rubber button contacts</i> <i>Repairs tested to 500,000 keystrokes</i>	CW2610	1
CircuitWorks® Pocket Solder (Single Blister Pack) 1.0mm (.04") Dia.; 3.18m (125") Length	S100-1	1
CircuitWorks® Pocket Solder (72 Dispensers in Display Box) 1.0mm (.04") Dia.; 3.18m (125") Length <i>Type RA Flux</i> <i>Meets Fed. Spec. QQ-S-571E Wrap II</i> <i>Precision manufactured activated rosin-core 63/37 solder</i> <i>Ensures even, reliable solder connections</i>	S100-72	1

CircuitWorks® Lubricants & Adhesives/Epoxies

Description
Part Number
Fig. No.

CircuitWorks® Conductive Grease (Silver Grease) 6.5 g (0.23 oz.) <i>Conductive lubricant containing pure silver</i> <i>Silver grease has maximum electrical & thermal conductivity</i>	CW7100	1
CircuitWorks® Conductive Grease (Carbon Grease) 3.5 g (0.12 oz.) <i>Conductive lubricant containing carbon</i> <i>Good conductivity for low power application</i> <i>Cost effective alternative to silver</i>	CW7200	1
CircuitWorks® Connector Lubricant 3 g (0.1 oz.) <i>Provides excellent lubrication properties</i> <i>Protects against galling of metal contacts</i> <i>Prevents contact oxidation</i> <i>Protects from -40°F (-40°C) to +266°F (130°C)</i>	CW7300	1
CircuitWorks® Gold Guard™ Pen 8.5 g (0.3 oz.) <i>Cleans and leaves protective lubricant in one step</i> <i>Extends the life of noble metal contacts</i> <i>Chisel tip marker for exact delivery of solvent to surface</i> <i>Safe on most plastics</i>	CW7400	1
CircuitWorks® Heat Sink Grease 142 g (5 oz.) <i>Excellent thermal conductivity and dielectric properties</i> <i>Will not dry out, harden or melt</i> <i>Noncorrosive and nonflammable</i> <i>Thermally stable from -40°F (-40°C) to +342°F (172°C)</i>	CT40-5	1
CircuitWorks® Conductive Epoxy (Adhesive) 7 g (0.25 oz.) (Hardener) 7 g (0.25 oz.) <i>Conductive silver epoxy provides excellent electrical conductivity</i> <i>High strength conductive bonding</i> <i>Repairs defective traces and creates jumpers on boards</i> <i>Quick solderless electronic connections</i>	CW2400	1
CircuitWorks® Quick-Bond Gel Adhesive Kit (Adhesive) 3 g (0.10 oz.); (Accelerator) 2 g (0.07 oz.) <i>Provides strong, instant bonding for rubber, metal and plastic</i> <i>Ideal for wire tacking</i> <i>Gel formula is easy to apply and stays in place</i> <i>Accelerator insures reliable and instant bonding</i>	CW4300	1
CircuitWorks® Replacement Tips (2 Tips) <i>For use in CW8100, CW8200, CW9100, CW9200, CW9300, CW3500 and CW7400</i>	CW8000	1

Konform AR/SR & Contact Cleaners/Lubricants



Konformal Coatings

Description	Part Number	Fig. No.
<p>Konform® AR 11.5 oz. aerosol Acrylic coating stable from -75°F/-59°C to +279°F/137°C High dielectric strength of 1200 volts/mil Meets MIL-46058C, Type AR Designed to provide effective insulation against electrical shorts and harsh environments Provides excellent acid resistance Easily repairable UL recognized</p>	CTAR-12	1
<p>Konform® SR 10 oz. aerosol Silicone coating stable from -85°F/-64°C to +390°F/199°C High dielectric strength of 1100 volts/mil Meets MIL-46058C, Type SR Engineered for applications where flexibility and high temperature resistance are required Easily removed with Electro-Wash® Two Step UL recognized</p>	CTSR-12	2

Contact Cleaners

Description	Cleaning Strength	Plastic Safe	Flammable	Ozone Safe CFC/HCFC Free	Part Number	Fig. No.
Pow-R-Wash™ CZ (12 oz. aerosol)	Regular	Yes	No	Yes	ES7300^{1,3}	3
Pow-R-Wash™ NR (12 oz. aerosol)	Regular	♦	No	No ²	ES1606¹	3
Pow-R-Wash™ NX (14.5 oz. aerosol)	X Strength	♦	No	No ²	ES1602¹	3
Pow-R-Wash™ NX (18 oz. aerosol)	X Strength	♦	No	No ²	ES2202¹	3
Pow-R-Wash™ PN (12 oz. aerosol)	Regular	Yes	No	No ²	ES1674¹	3
Pow-R-Wash™ PR (10 oz. aerosol)	Regular	Yes	Yes	Yes	ES1605¹	3

Contact Cleaners Lubricants

Description	Cleaning Strength	Plastic Safe	Flammable	Ozone Safe CFC/HCFC Free	Part Number	Fig. No.
Contact Restorer™ (16 oz. aerosol)	X Strength	♦	No	No ²	ES1628¹	3
Gold Guard™ (5 oz. aerosol)	Regular	Yes	Yes	Yes	ES601¹	3



- All contact cleaner aerosols can be sprayed in any direction, even upside down without the risk of dispensing a liquid spray that can freeze or damage sensitive surfaces. Look for the "All-Way Spray" icon on the can.
 - CFC Free, contains HCFCs.
 - Introducing **CIROZANE™** CFC Replacement Chemistry made with HFE from 3M.
 - Leaves protective lubricant. Protects contacts from carbon buildup, oxidation and corrosion. Prevents degradation of electrical signal. Excellent dielectric properties. Extends life of contacts. ♦ Test on plastics.
- NOTES:** All contact cleaners leave no residue and dry fast.

All-Way/Duster/Duster System/Ultrajet®/Ultrajet® 70 & Dispensers


Description	Blasting Power	Plastic Safe	Flammability	Ozone Safe CFC/HCFC Free	Part Number	Fig. No.
Ultrajet® All-Way (8 oz. aerosol)	XX Strength	Yes	No	Yes	ES1620* ¹	1
Duster (8 oz. aerosol)	Regular	Yes	No	Yes	ES1217	1
Duster (10 oz. aerosol)	Regular	Yes	No	Yes	ES1017	1
Duster (12 oz. aerosol)	Regular	Yes	No	Yes	ES1617	1
Ultrajet® (10 oz. aerosol)	XX Strength	Yes	No	Yes	ES1020*	1
Ultrajet® Duster System (10 oz. kit)	Regular	Yes	No	Yes	ES1020K ²	1
Ultrajet® Duster System (10 oz. refill)	Regular	Yes	No	Yes	ES1020R ²	1
Ultrajet® 70	X Strength	Yes	No	Yes	ES1015*	1
Ultrajet® CO ₂ (2.4 oz. refill cylinder)	XX Strength	Yes	No	Yes	ES275 ³	1

* 100% ultra-pure HFC-134a- leaves no residue.
¹ All-Way Spray can be sprayed in any direction without the risk of dispensing a liquid spray that can freeze or damage sensitive surfaces.
² Sprays in any direction with 36" flexible extension tube attachment.
³ 100% ultra-pure CO₂.

Flux Removers & BrushClean™ System/Freeze Sprays

Fig. 1



Fig. 2



Flux Removers

Description	Water Soluble	No-Clean SA-Synthetic	Plastic Safe	Flammable	Ozone Safe CFC/HCFC Free	Part Number	Fig. No.
Flux-Off CZ (12 oz. aerosol)	Yes	✓	Yes	No	Yes	ES7200 ^{1,2}	1
Flux-Off Heavy Duty (12 oz. aerosol)	Yes	✓	♦	No	Yes	ES1631 ¹	1
Flux-Off No Clean (14.5 oz. aerosol)	No	✓	♦	No	No ³	ES1692 ¹	1
Flux-Off Rosin (10 oz aerosol)	No	----	Yes	Yes	Yes	ES1035 ¹	1
Flux-Off Water Soluble (13.5 oz. aerosol)	Yes	----	Yes	Yes	Yes	ES1530 ¹	1
Flux-Off Water Soluble (16 fl. oz. trigger spray)	Yes	----	Yes	Yes	Yes	ES1630T	1
The BrushClean™ System® (Flux-Off Rosin)	No	----	♦	Yes	Yes	ES835B	1

- 1 All Flux Removers aerosols can be sprayed in any direction, even upside down without the risk of dispensing a liquid spray that can freeze or damage sensitive surfaces. Look for the "All-Way Spray" icon on the can.
 - 2 Introducing **CIROZANE™** CFC Replacement Chemistry made with HFE from 3M.
 - 3 CFC Free, contains HCFCs
 - ♦ Test on plastics.
 - ♦ The gentle scrubbing action of a brush combined with high performance flux removers and cleaner degreaser.
- NOTES:** All Flux removers leave no residue and dry fast.

Freeze Sprays

Description	Plastic Safe	Flammable	Ozone Safe CFC/HCFC Free	Part Number	Fig. No.
Freeze-It® (10 oz. aerosol)	Yes	No	Yes	ES1050	2
Freeze-It® (15 oz. aerosol)	Yes	No	Yes	ES1550	2
Freeze-It® Antistat (10 oz. aerosol)	Yes	No	Yes	ES1051	2
Freeze-It® Antistat (15 oz. aerosol)	Yes	No	Yes	ES1551	2
Freeze Spray (10 oz. aerosol)	Yes	No	Yes	ES1052	2

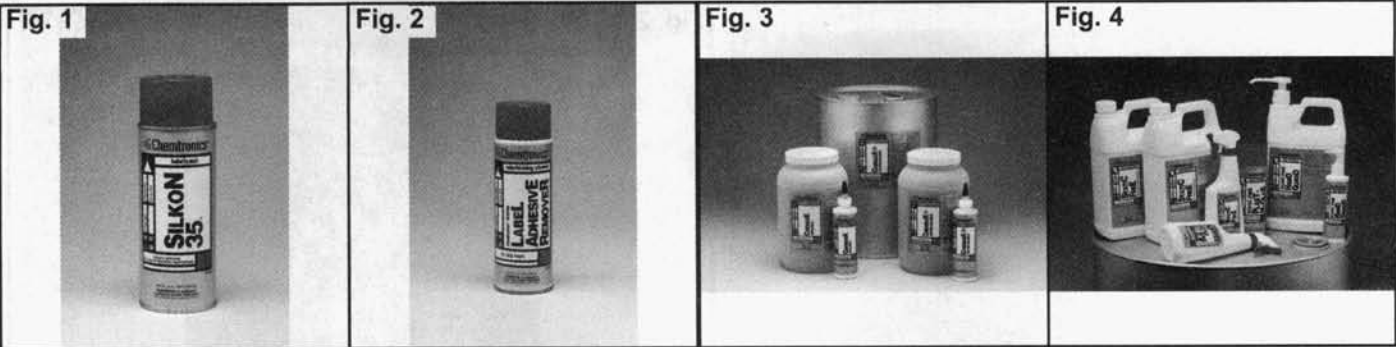
NOTES: All freeze sprays leaves no residue and evaporates quickly. Rapidly cools components to -60°F/-51°C



"Show me a great company and I'll show you one that has radically changed itself and is looking forward to the opportunity of doing so again."

—Lawrence Bossidy

Lubricants/Refurbishing Cleaners/Solder Masking Agent/Anti Static



Lubricants

Description	Plastic Safe	Flammable	Ozone Safe CFC/HCFC Free	Part Number	Fig. No.
DPL® Deep Penetrating Lubricant (9 oz. aerosol)	Yes	Yes	Yes	ES1614 ^{1,2}	-
Silkon 35® Silicone Lubricant (10 oz. aerosol)	Yes	Yes	Yes	ES1638 ^{3,4}	1

- 1 Loosens, cleans, lubricates and protects frozen or rusted parts.
- 2 Liquid form contains an ultraviolet indicator to verify lubricant presence.
- 3 Lubricant is thermally stable from -65°F(-54°C) to +350°F(177°C)
- 4 Protects electrical and electronic contact and connector surfaces from corrosion.

Refurbishing Cleaners

Description	Plastic Safe	Flammable	Ozone Safe CFC/HCFC Free	Part Number	Fig. No.
Label Adhesive Remover (6 oz. foaming aerosol)	Yes ⁵	Yes	Yes	ES805 ⁶	2

- 5 Safe for use on metals, glass, ceramic and most plastic surfaces.
- 6 Pleasant citrus scent.
- 7 Not recommended for use on painted surfaces

Chemask®

Description	Part Number	Fig. No.
Chemask® (8 oz. liquid squeeze bottle) Dries tack-free in 30 minutes Easy to use - just peel off dried Chemask® masking agent Latex material is compatible with flux systems and stable with cleaning solvents	CM8	3

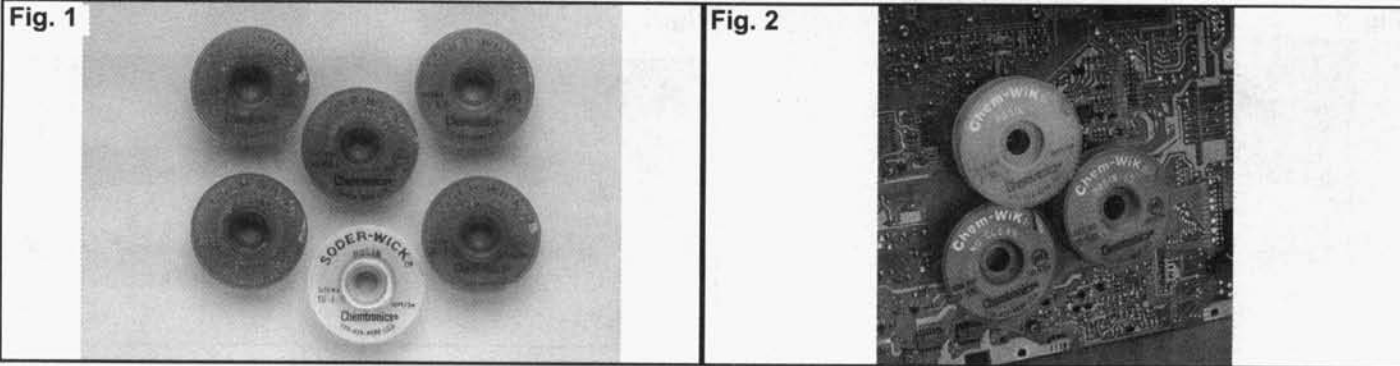
Static Free™ Plast-N-Glas®

Description	Part Number	Fig. No.
Static Free™ Plast-N-Glas® (16 oz. aerosol) Controls static, cleans and polishes in one application Foaming spray won't run or drip; ideal for optical surfaces Prevents attraction of dust and dirt Effectively removes handling oils, finger soils and nicotine stains Compatible with plastic, glass and stainless steel Not for use on anti-glare coating or mesh screens	ES1668	4

Static Free™ Hand Guard™

Description	Part Number	Fig. No.
Static Free™ Hand Guard™ Lotion (8 oz. liquid) Special formulation minimizes potential for static damage Nongreasy formula contains Aloe Vera and Vitamin E Contains no lanolin, silicone or mineral oil that could inhibit solderability of printed circuits or components Emollients penetrate deeply to moisten and refresh dry, chapped or chemically irritated skin	C805	4

Desoldering Braid



Soder-Wick® Desoldering Braid

Product Name	Size	Color	Application	Part Number	Fig. No.
Soder-Wick® BGA Rosin	BGA	Purple	BGA Pads and Chips	SW180BGA	1
Soder-Wick® BGA No Clean	BGA	Purple	BGA Pads and Chips	SW160BGA	1
Soder-Wick® Rosin	1	White	Micro-Circuits	SW15015	1
Soder-Wick® Rosin	2	Yellow	Small Pads	SW15025	1
Soder-Wick® Rosin	3	Green	Medium Pads	SW15035	1
Soder-Wick® Rosin	4	Blue	Large Pads	SW15045	1
Soder-Wick® Rosin	5	Brown	Terminals	SW15055	1
Soder-Wick® Rosin SD	1	White	Micro-Circuits	SW18015	1
Soder-Wick® Rosin SD	2	Yellow	Small Pads	SW18025	1
Soder-Wick® Rosin SD	3	Green	Medium Pads	SW18035	1
Soder-Wick® Rosin SD	4	Blue	Large Pads	SW18045	1
Soder-Wick® Rosin SD	5	Brown	Terminals	SW18055	1
Soder-Wick® No Clean SD	1	White	Micro-Circuits	SW16015	1
Soder-Wick® No Clean SD	2	Yellow	Small Pads	SW16025	1
Soder-Wick® No Clean SD	3	Green	Medium Pads	SW16035	1
Soder-Wick® No Clean SD	4	Blue	Large Pads	SW16045	1
Soder-Wick® No Clean SD	5	Brown	Terminals	SW16055	1

Note: All SW numbers are in the ValuPak™ Can containing 10 bobbins with 5 feet of braid in each bobbin.

Chem-Wik® Desoldering Braid

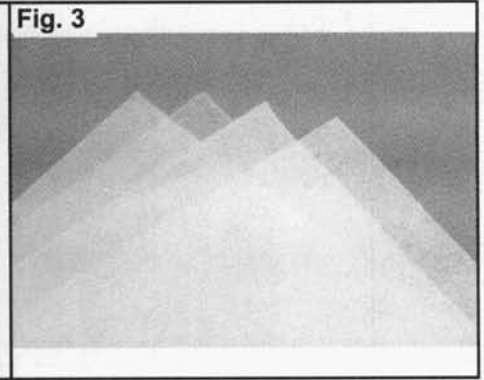
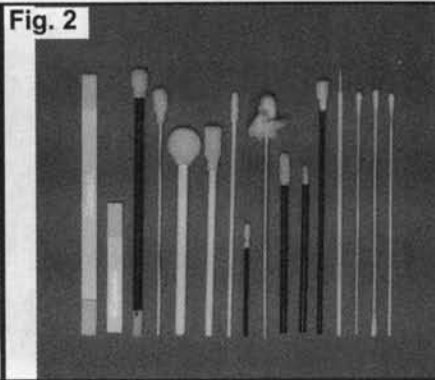
Product Name	Application	Color	Part Number			Fig. No.
			5'	25'	50'	
Chem-Wik® Rosin	Micro-Circuits	Grey	2-5L	2-25L	2-50L	2
	Small Pads	Yellow	5-5L	5-25L	5-50L	2
	Medium Pads	Green	7-5L	7-25L	7-50L	2
	Large Pads	Blue	10-5L	10-25L	10-50L	2
	Terminals	Brown	15-5L	15-25L	15-50L	2
	Large Connectors	Red	19-5L	19-25L	19-50L	2



"I am the world's worst salesman, therefore, I must make it easy for people to buy."

— F.W. Woolworth

Presaturated Swabs & Wipes/Swabs & Applicators/Wipes



Presaturated Swabs & Wipes

Description	Plastic Safe	Flammable	Ozone Safe CFC/HCFC Free	Part Number	Fig. No.
Chempad™ Presaturated Wipe (50 4"x3" wipers)	Yes	Yes	Yes	CP400	1
Chemswab™ Presaturated Swab (25 swabs)	Yes	Yes	Yes	CS253	1
Gold Guard™ Presaturated Wipe (50 4"x3" wipers)	Yes	Yes	Yes	CP420E ¹	1
Optic Prep™ Presaturated Wipe	Yes	Yes	Yes	CP410 ²	1
Screen Prep™ Presaturated Wipe (25 twin packs)	Yes	Yes	Yes	CSP20 ⁴	1

- 1 Lubricant remains stable up to 200°F/93°C and causes no electrical resistance.
- 2 Mild nonabrasive solvent
- 3 Urethane foam swab (Foamtips™ # 120) presaturated with ultra-pure IPA.
- 4 #1 3" x 4" pads; #2 4" x 6" wiper

Swabs & Applicators

Swab	Head Width x Thickness	Head Length	Handle Material ⁶	Handle Width x Thickness	Swab Length	Part Number Small Pkg	50 Pack	Fig. No
Chamois Tips™	3/8"x1/8"	7/8"	ABS	3/8"x9/128"	3-1/4"	CC15/15 pcs	CC50	2
Foamtips™ Pro	Dual 1/2"x3/8"	Dual 7/8"	PP	3/16"x1/8"	6-3/4"	CFP10/10 pcs	CFP50	2
Foamtips™ 100	3/8"x5/16"	7/8"	Wood	1/16"x1/16"	6-1/8"	CF15/15 pcs	CF50	2
Foamtips™ 110	13/16"x3/8"	1"	PP	3/16"x1/8"	5"	----	CF1050	2
Foamtips™ 120	1/2"x7/16"	1"	PP	3/16"x1/8"	5-1/8"	----	CF2050	2
Foamtips™ 130	1/4"x1/4"	3/4"	PP	1/8"x1/8"	6-1/16"	----	CF3050	2
Foamtips™ 140	3/16"x3/16"	1/2"	PP	7/64"x7/64"	2-7/8"	----	CF4050	2
Foamtips™ 150	5/8"x5/8"	1-1/8"	Wood	1/16"x1/16"	6"	----	CF5050	2
Flextips™ Mini	3/16"x5/32"	17/32"	N/PP	5/32"x5/32"	4-1/8"	CXM50/50 pcs	----	2
Cottontips™ Single	3/16"x3/16"	5/8"	Wood	1/12"x1/12"	6"	CT100/100 pcs	CT1000 ⁶	2
Cottontips™ Double	3/16"x3/16"	5/8"	Wood	1/12"x1/12"	6"	CT200/100 pcs	CT2000 ⁷	2
Cottontips™ Low Lint	3/16"x3/16"	5/8"	Wood	1/12"x1/12"	6"	CT5000/1000 pcs	----	2

- 6 CT1000/1000 pcs.
- 7 CT2000/1000 pcs.
- 8 ABS - Acrylonitrile - Butadiene - Styrene; PP - Polypropylene; N/PP - Nylon/Polypropylene

Wipes

Description	Part Number	Fig. No.
Controlwipes™ (150 9" x 9" wipers) Packaged in a Class 100 cleanroom environment Strong, will not tear or shred; will not unravel or lint; will not abrade surface High absorbency and liquid retention	C910	3
Opticwipes™ (500 9" x 9" wipers) Packaged in a Class 100 cleanroom environment 100% cellulose Highly absorbent; high wet strength	C920	3
Poly-Wipes Cleanroom Grade (300 4" x 4" wipers) Packaged in Class 1 cleanroom environment	C440CR	3
Twillwipes™ (100 4" x 4" wipers)	C400	3
Twillwipes™ (300 6" x 6" wipers)	C600	3
Twillwipes™ (150 9" x 9" wipers) Resistant to caustic solvents and temperatures up to 302°F/150°C	C900	3

Cleaners/Degreasers/Dusters



Hydroforce® Aqueous Cleaners

Description	Type of Cleaner	pH	Flash Point	Bio-degradable	Odor	Part No.	Container Size	Fig. No.
Glass cleaner	H ₂ O					14412	20 oz. Aerosol	1
Professional Strength	Surfactant	9.7	NA	Yes	Ammonia	14411	30 oz. Trigger	

Heavy Duty Cleaners/Degreasers

Description	Type of Cleaner	Cleaning Strength (KB)	Flash Point	Drying Time	Dielectric Strength (Volts)	Odor	USDA Rating*	Part No.	Container Size	Fig. No.
LECTRA CLEAN®	Chlorinated	129	None	Fast	36,700	Moderate	K2	02018	20 oz.	2
Electrical Parts Cleaner	Chlorinated	95	None	Fast	37,500	Moderate	K2	02180	20 oz.	2
Natural Degreaser™	Terpene/Glycol Ether	>200	104°F	Moderate	36,500	Moderate	C1	14005	20 oz.	2

Precision Contact Cleaner

Description	Type of Cleaner	Contains CFCs	Flash Point	Drying Time	Dielectric Strength (Volts)	Safe On Plastics	USDA Rating*	Part No.	Container Size	Fig. No.
CO® Contact Cleaner	HFE/HFC	None	None	Fast	33,000	Yes	K2	02016	16 oz.	--
PF™ Precision Cleaner	HFC/HFE/HCFC	Class II	None	Fast	29,000	Yes	K2	02190	16 oz.	3
Contact Cleaner 2000®	HCFC	Class II	None	Fast	21,000	May Be Harmful To Some Plastics	K2	02140	16 oz.	3
QD™ Contact Cleaner	Petroleum Distillate/Alcohol	None	>0°F	Fast	22,600	Yes	K2	02130'	16 oz.	3
Duster™	HFC	None	None	NA	ND	Yes	K2	14085	12 oz.	3

*This product is labeled extremely flammable. Read and observe the special usage warnings on label. Do not apply while equipment is energized.

* Authorized by USDA for use in federally inspected meat & poultry plants.

KB= Kauri Butanol • TCC=Tagged Closed Cup

NA=Not Applicable • Not Determined • Online MSDS Faxback:(215) 442-6250

Cleaners/Lubricants



Cable Clean®

Description	Type of Cleaner	Contains ODCs (Class 1 or Class 2)	Cleaning Strength (KB)	Flash Point	Drying Time	Dielectric Strength (Volts)	Odor	Part No.	Container Size	Fig. No.
CABLE CLEAN®	Chlorinated	Yes	120	None	Fast	28,000	Light Chlorinated	02069	20 oz.	1
CABLE CLEAN® Fiber Optic Cleaner	Isopropyl Alcohol	No	NA	55°F	Fast	NA	Slight Alcohol	14139	1 qt.	1
CABLE CLEAN® Fiber Optic Wipes	Isopropyl Alcohol	No	NA	55°F	Fast	NA	Slight Alcohol	14138	W ¹	1

Wire Pulling Lubricants

Description	Type of Cleaner	Temp. Range (°F)	Color	UL Listed	Coefficient of Friction	Part No.	Container Size	Fig. No.
Fiber Optic and Telecommunication Wire Pulling Lubricant With TEFLON®	Water Based	23-180	Translucent	Yes	0.20	14135	1 qt.	2

Lubricants

Description	Type of Cleaner	Type of Film	Color	360° Spray	USDA Rating*	Part No.	Container Size	Fig. No.
2-26®	Petroleum Oil	Non-Drying	Amber	Yes	H2	02004	16 oz.	3
Electrical Grade Silicone	Silicone	Non-Drying	Clear	No	H1	02094 ²	16 oz.	3
Cutting Oil	Petroleum Oil	Non-Drying	Blue	No	P1	10450 ²	16 oz.	3

¹ 1 wet, 1 dry wipe combo. Read and observe the special usage warnings on label.

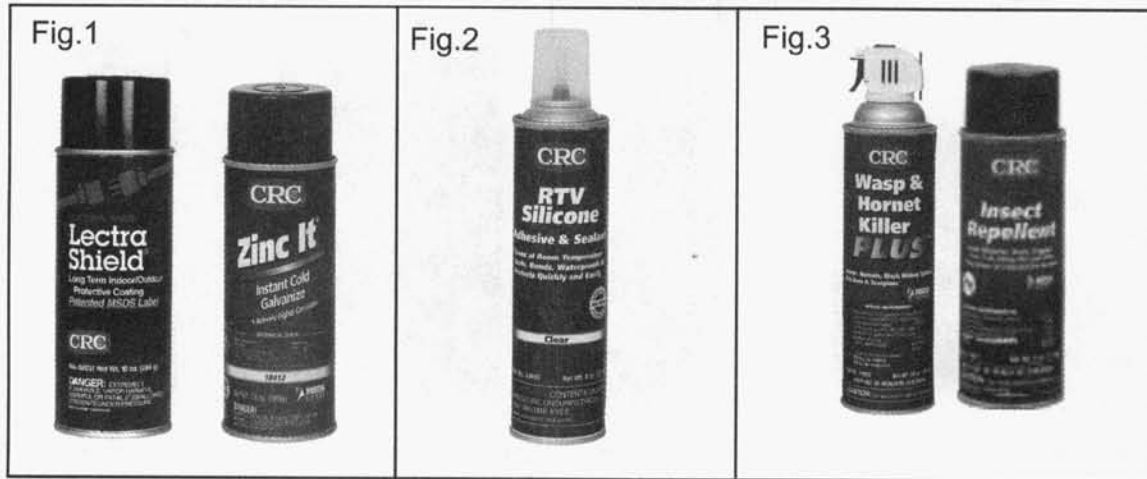
² This product is labeled extremely flammable. Read and observe the special usage warnings on label.

* Authorized by USDA for use in federally inspected meat & poultry plants.

KB= Kauri Butanol • TCC=Tagged Closed Cup • ODC=Ozone Depleting Compounds.

NA=Not Applicable • Not Determined • Online MSDS Faxback:(215) 442-6250

Specialty Products



Corrosion Inhibitors

Description	Film Type	Application	Specifications	Corrosion Protection	Drying Time (to touch)	Part No.	Container Size	Fig. No.
Lectra Shield™	Transparent Waxy, Amber	Indoors & Outdoors 2 Years	MIL-C 16173 Grad 4, Class 1	Heavy	1 Hour	02031'	16 oz.	1
ZINC-IT®	Zinc	Outdoors- 1-2 Years	Aerosol:MIL-P46105 (MR) 3.2, 3.3, 1.3.5.8, 4.4.5.MIL-P21035 (SHIPS) Paragraph 3.6.1, 3.3.2, 3.3.3; DOD-P-21035A(NAVY) Paragraph, 3.1 3.2, 3.5.3, 3.5.6, 4.4.3, 6.1, 6.5, 353 Bulk DOD-P-21305; MIL-P-46105; MIL-P-26915	Heavy	15-30 Minutes	18414'	16 oz.	2

Specialty Products

Description	Room Temperature Curing	Corrosive	Temperature Range	Elongation% (ASTM D 412 DIE C)	Brittle Point (ASTM D 746)	Dielectric Strength (Volts)	Tensile Strength (Lap Shear*)	Conforms to Specifications	Part No.	Container Size	Fig. No.
RTV Silicone Adhesive/ Sealant Clear	Yes	Yes	-80°F to 450°F	500	-100°F	550	350psi	MIL A-46106 TT-S-00230C TT-S-001453A FED CFR 21-177-2600	14055	8 oz.	3
RTV Silicone Adhesive/ Sealant White	Yes	Yes	-80°F to 450°F	500	-100°F	550	350psi	MIL A-46106 TT-S-00230C TT-S-001453A FED CFR 21-177-2600	14056	8 oz.	3

Specialty Products

Description	Dielectric Strength	Flashpoint	Part No.	Container Size	Fig. No.
Wasp & Hornet Killer Plus™	31,700 V	177°	14010	20 oz.	4
Insect Repellant	NA	NA	14011	8 oz.	4

Online MSDS Faxback: (215) 442-6250

NA=Not Applicable • ND=Not Determined

*This product is labeled extremely flammable. Read and observe the special usage warnings on label. Do not apply while equipment is energized.

Spray Paints

Fig.1


All Purpose Enamels

Description	Color	Part No.	Container Size	Technical Data	Fig No
All Purpose Enamel Spray Paint	Swift Red	18000	16 oz.	Resistant to heat up to 180° F (82°C)	1
	Yellow	18001	16 oz.		1
	Astro Blue	18002	16 oz.	Dries tack free in 10 to 20 minutes and fully dry in less than 1 hour	1
	Parrot Green	18003	16 oz.		1
	Orange	18004	16 oz.	Yellows and reds cover 10-12 sq. ft. per can, others cover 16-22 sq. ft. per can	1
	Gloss Black	18005	16 oz.		1
	Gloss White	18006	16 oz.	1	
	Aluminum	18007	16 oz.	Good resistance to abrasion and corrosion; fair resistance to solvents	1
	Flat Black	18008	16 oz.	This product is labeled extremely flammable.	1
	Flat White	18009	16 oz.	Read and observe the special usage warning on the label	1
	Forest Green	18010	16 oz.	Do not apply while equipment is energized	1
	Machinery Dark Gray	18011	16 oz.	Check local regulations for special storage requirements	1
	Cast Iron Gray	18012	16 oz.		1
	Blue Gray	18013	16 oz.		1
	Gray Primer	18050	16 oz.		1
	Red Oxide Primer	18051	16 oz.	1	

Rust Proof Enamels

Description	Color	Part No.	Container Size	Technical Data	Fig No
Rust Proof Enamel	OSHA Red	18000	16 oz.	Dries tack free in 15-30 minutes and fully in 1 hour, recoat anytime	--
	OSHA Yellow	18001	16 oz.		Resistant heat up to 300°F (149° C)
	OSHA Blue	18002	16 oz.	Yellows and reds cover 10-12 sq. ft. per can, others cover 16-22 sq. ft. per can	--
	OSHA Green	18003	16 oz.		--
	OSHA Orange	18004	16 oz.	Excellent resistance to corrosion and solvents and good resistance to abrasion	--
	OSHA Black	18005	16 oz.		--
	OSHA White	18006	16 oz.	This product is labeled extremely flammable.	--
	Cherry Red	18007	16 oz.		--
	Aluminum	18008	16 oz.	Read and observe the special usage warning on the label	--
	Flat Black	18009	16 oz.		--
	Flat White	18010	16 oz.	Do not apply while equipment is energized	--
	Chestnut Brown	18010	16 oz.		--
	Forest Green	18011	16 oz.	Check local regulations for special storage requirements	--
	Machinery Dark Gray	18012	16 oz.		--
	Machinery Light Gray	18013	16 oz.	Check local regulations for special storage requirements	--
	Blue Gray	18013	16 oz.		--
Gray Primer	18050	16 oz.	--		
Red Oxide Primer	18051	16 oz.	--		

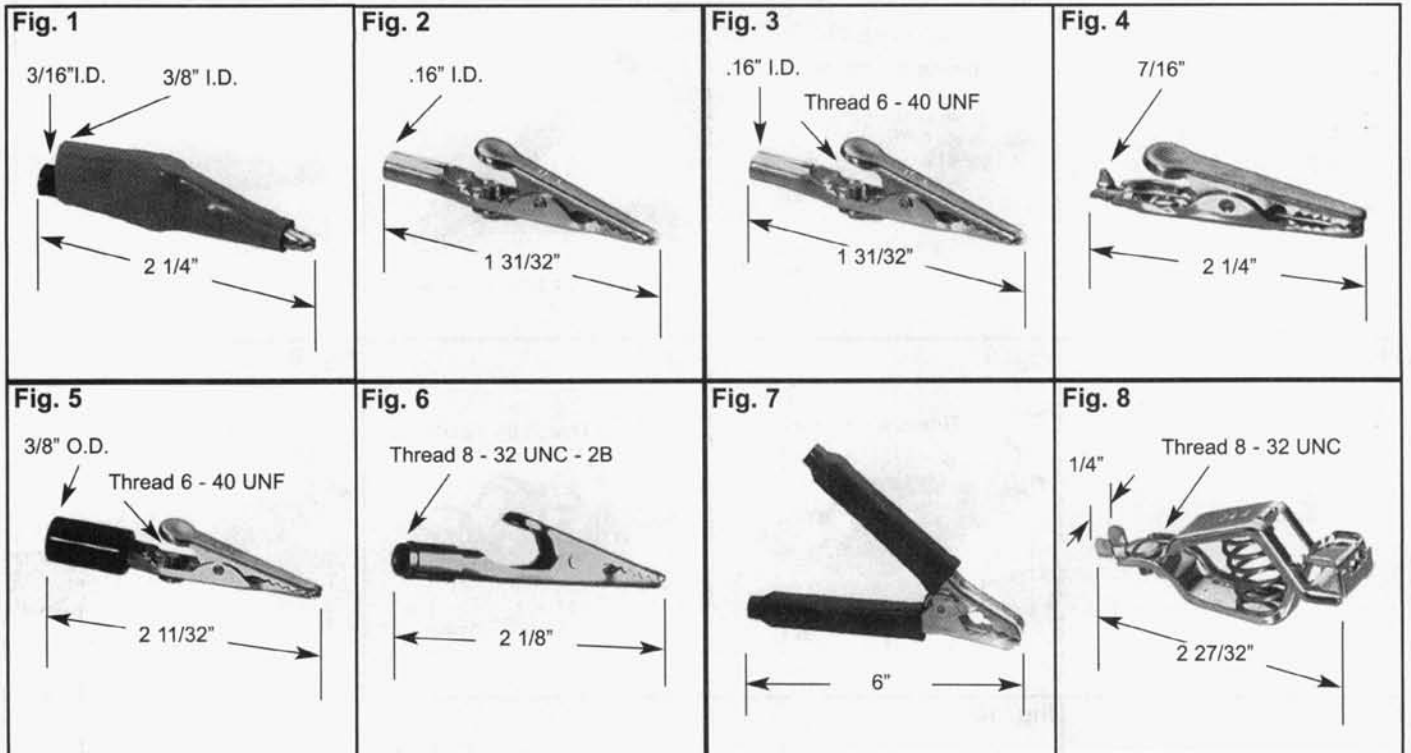
Spray Paints (cont.)



Upside Down Marking Paints

Description	Color	Part No.	Container Size	Technical Data	Fig No
Upside Down Marking Paint	Safety Red	18200	20 oz.	One can covers up to 700 linear feet with a 1 1/2 to 3 inch bright vivid line width	1
	Caution Yellow	18201	20 oz.		1
	Caution Blue	18202	20 oz.		1
	Safety Green	18203	20 oz.	Dries fast and tack free in 2 to 5 minutes	1
	Alert Orange	18204	20 oz.		1
	Black	18205	20 oz.	This product is labeled extremely flammable. Read and observe the special usage warning on the label.	1
	White	18206	20 oz.		1
	Red Fluorescent	18207	20 oz.		1
	Orange Fluorescent	18208	20 oz.		1
	Pink Fluorescent	18209	20 oz.	Check local regulations for special storage requirements	1
Red/Orange Fluorescent	18210	20 oz.	1		

Alligator/Battery Booster/Battery



Style	Amp Rating	Material/Plating	Clip Jaws Open	Jaw Length	Wire Attachment	Use w/ Insulator #	Part Number*	Fig. No.
Alligator	5	Steel/Nickel	5/16"	9/16"	Crimp/Screw	Insulated	SC-63 ²	1
Alligator	5	Steel/Nickel	5/16"	5/8"	Crimp/Solder	62	SC-60	2
Alligator	5	Steel/Nickel	5/16"	5/8"	Crimp/Screw	62	SC-60S	3
Alligator	5	Steel/Nickel	5/16"	5/8"	Crimp/Solder	72	SC-70	4
Alligator	5	Steel/Nickel	5/16"	5/8"	Screw/Solder	Ins. Barrel	SC-60HS	5
Alligator	5	Steel/Nickel	5/16"	5/8"	Threaded	62	SC-60TBO	6
Alligator	10	Copper	5/16"	9/16"	Crimp/Screw	Insulated	SC-63C ²	1
Alligator	10	Copper	5/16"	5/8"	Crimp/Screw	62	SC-60CS	3
Alligator	10	Copper	5/16"	5/8"	Screw/Solder	Ins. Barrel	SC-60CHS	5
Battery Booster	200	Steel/Copper	1-9/16"	1-1/16"	Crimp/Solder	Insulated	SC-41A ¹	7
Battery Booster	400	Copper	1-9/16"	1-1/16"	Crimp/Solder	Insulated	SC-41C ¹	7
Battery	25	Steel/Zinc	3/4"	7/16"	Crimp/Screw	26	SC-24A	8

* Contact Sales Department for different types of packaging available.

1 Handles are insulated.

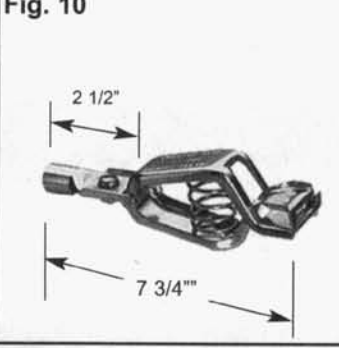
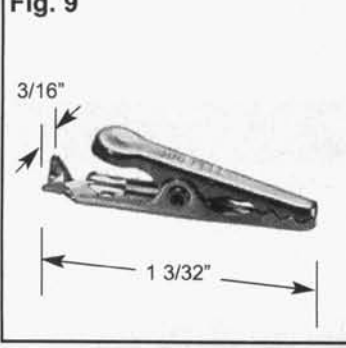
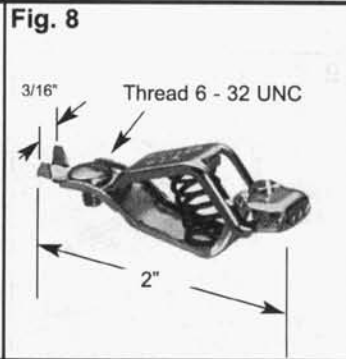
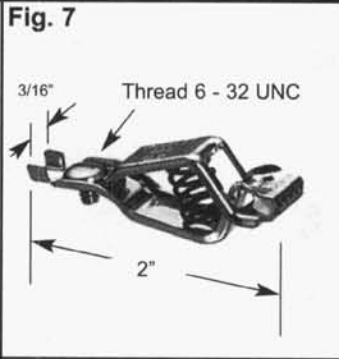
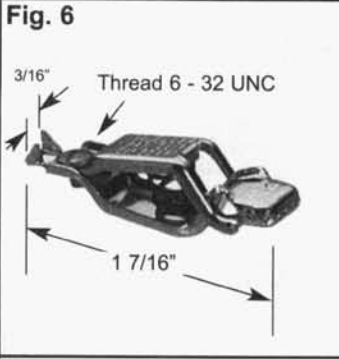
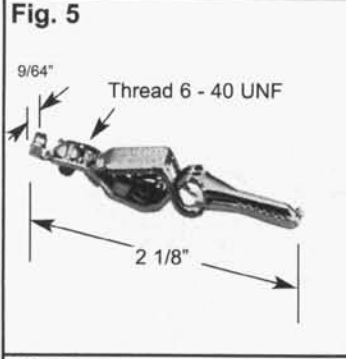
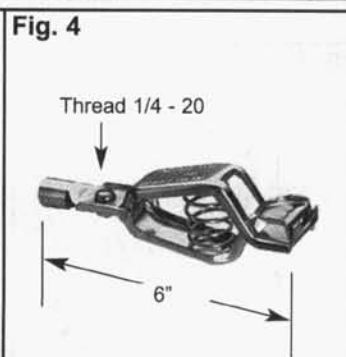
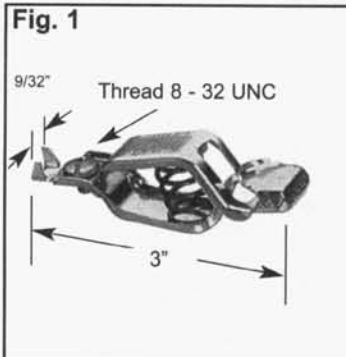
2 Comes with pre-attached protective insulator.



"Leadership is a potent combination of strategy and character. But if you must be without one, be without the strategy"

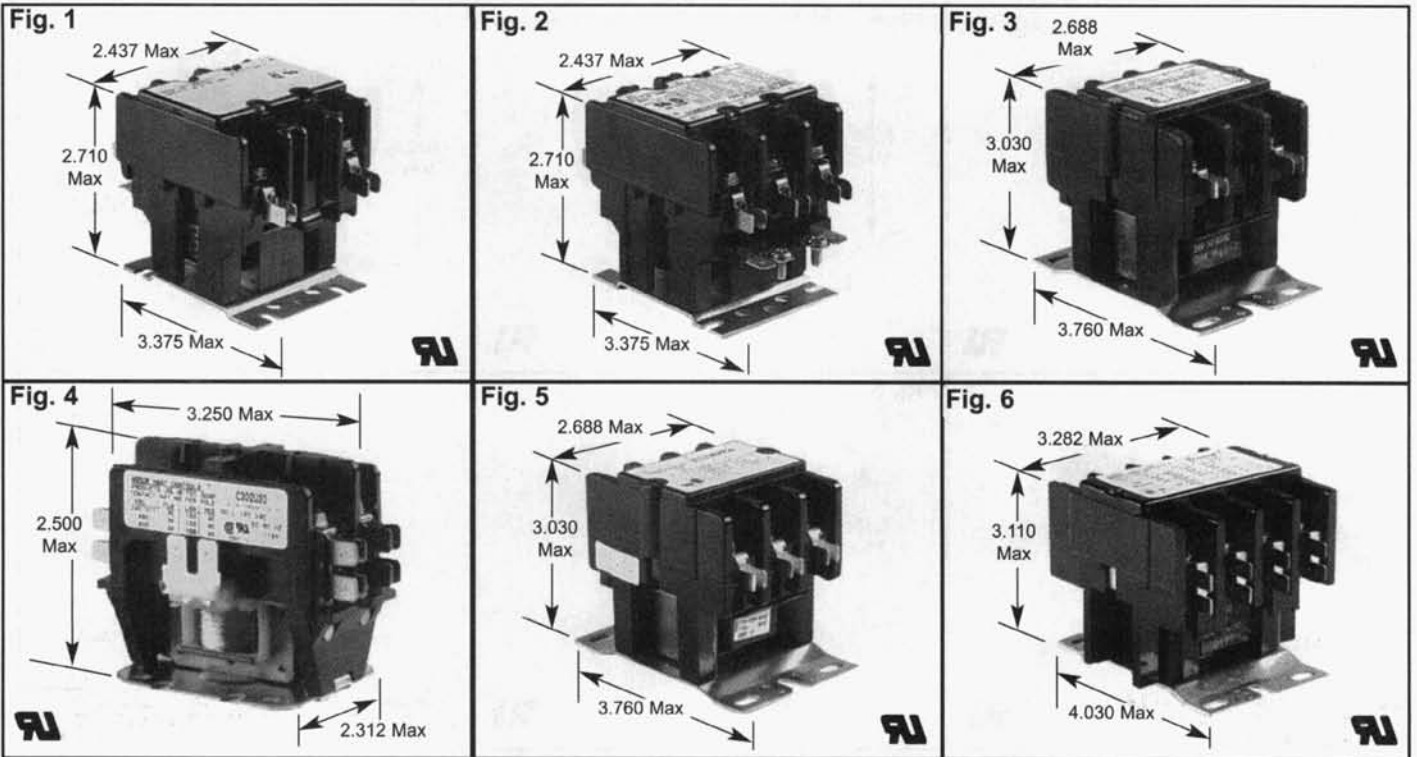
—Henry Ford

Battery/Crocodile/General Purpose Test/Mini-Gator/Welding



Style	Amp Rating	Material/Plating	Clip Jaws Open	Jaw Length	Wire Attachment	Use w/ Insulator #	Part Number*	Fig. No.
Battery	40	Steel/Zinc	3/4"	21/32"	Crimp/Screw	26	SC-25	1
Battery	50	Steel/Zinc	1-1/16"	25/32"	Crimp/Screw	23	SC-21A	2
Battery	50	Steel/Copper	1-1/8"	1"	Crimp/Solder	Insulated	SC-46A ¹	3
Battery	75	Copper	3/4"	21/32"	Crimp/Screw	26	SC-25C	1
Battery	75	Copper	1-1/8"	1"	Crimp/Solder	Insulated	SC-46C ¹	3
Battery	100	Steel/Zinc	1-5/8"	1"	Lug	13	SC-11A	4
Battery	100	Copper	1-1/16"	25/32"	Lug	23	SC-21C	2
Battery	200	Copper	1-5/8"	1"	Lug	13	SC-11C	4
Crocodile	5	Steel/Zinc	5/16"	15/16"	Crimp/Screw	87	SC-85	5
Crocodile	10	Copper	5/16"	15/16"	Crimp/Screw	87	SC-85C	5
General Purpose Test	10	Steel/Zinc	5/16"	1/4"	Crimp/Screw	47	SC-45	6
General Purpose Test	10	Steel/Zinc	7/16"	3/8"	Crimp/Screw	49	SC-55	7
General Purpose Test	10	Steel/Zinc	1/2"	3/8"	Crimp/Screw	49	SC-48B	8
General Purpose Test	20	Steel/Zinc	5/8"	17/32"	Crimp/Screw	29	SC-27 ²	6
General Purpose Test	20	Copper	1/2"	3/8"	Crimp/Screw	49	SC-48C	8
General Purpose Test	40	Copper	5/8"	17/32"	Crimp/Screw	29	SC-27C ²	6
Mini-Gator	5	Steel/Nickel	3/16"	7/16"	Crimp/Solder	32	SC-30	9
Mini-Gator	5	Copper	3/16"	7/16"	Crimp/Solder	32	SC-30C	9
Welding	300	Copper	1-13/16"	1-1/4"	Lug	35	SC-33C	10

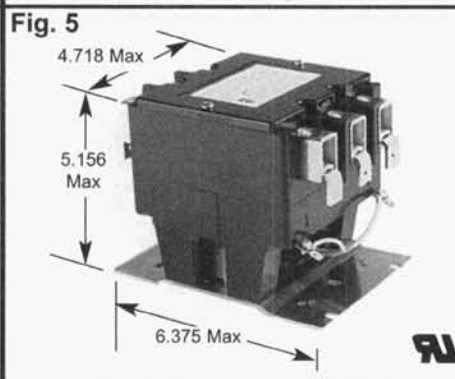
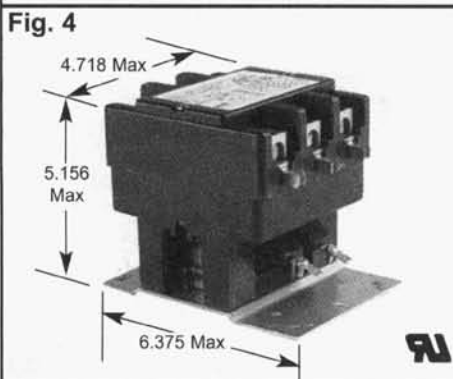
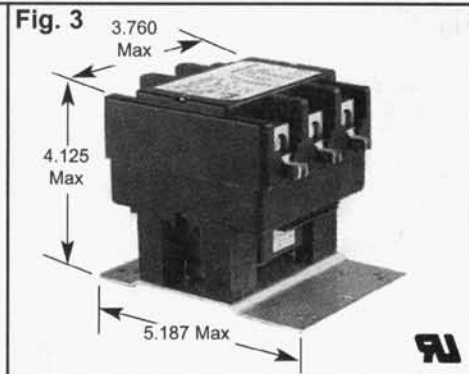
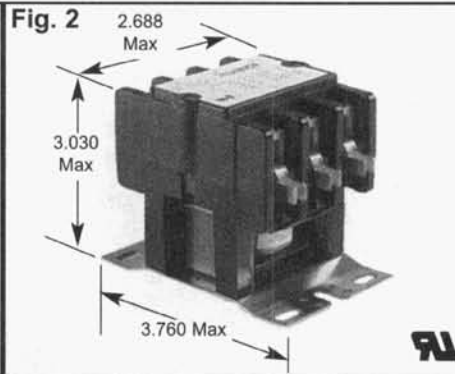
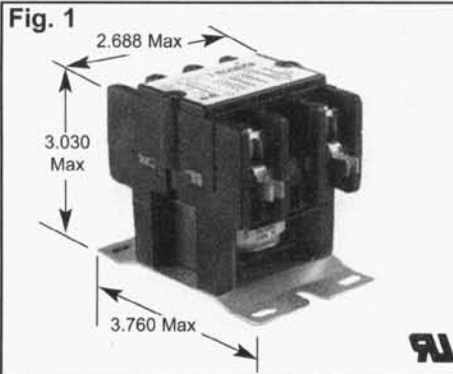
* Contact Sales Department for different types of packaging available.
¹ Handles are insulated.
² Length 2-7/16"

Model 86 Definite Purpose


Rating, Amperes		Number of Normally Open Poles	Coil Voltage		Part Number	Fig. Number
Inductive Full Load	Line Voltage		50 Hz	60 Hz		
25	240 - 600	2	24	24	ACC220UMM10	1
25	240 - 600	2	110	120	ACC220UMM20	1
25	240 - 600	2	208	240	ACC220UMM30	1
25	240 - 600	3	24	24	ACC230UUM10	2
25	240 - 600	3	110	120	ACC230UUM20	2
25	240 - 600	3	208	240	ACC230UUM30	2
30	240 - 600	2	24	24	ACC320UM10	3
30	240 - 600	2	24	24	C302U10*	4
30	240 - 600	2	110	120	ACC320UM20	3
30	240 - 600	2	110	120	C302U20*	4
30	240 - 600	2	208	240	ACC320UM30	3
30	240 - 600	2	208	240	C320U30*	4
30	240 - 600	3	24	24	ACC330UM10	5
30	240 - 600	3	110	120	ACC330UM20	5
30	240 - 600	3	208	240	ACC330UM30	5
30	240 - 600	4	24	24	ACC343UMM10	6
30	240 - 600	4	110	120	ACC343UMM20	6
30	240 - 600	4	208	240	ACC343UMM30	6

* Has non-replaceable coil.
NOTE: Contact factory for mounting hole dimensions.

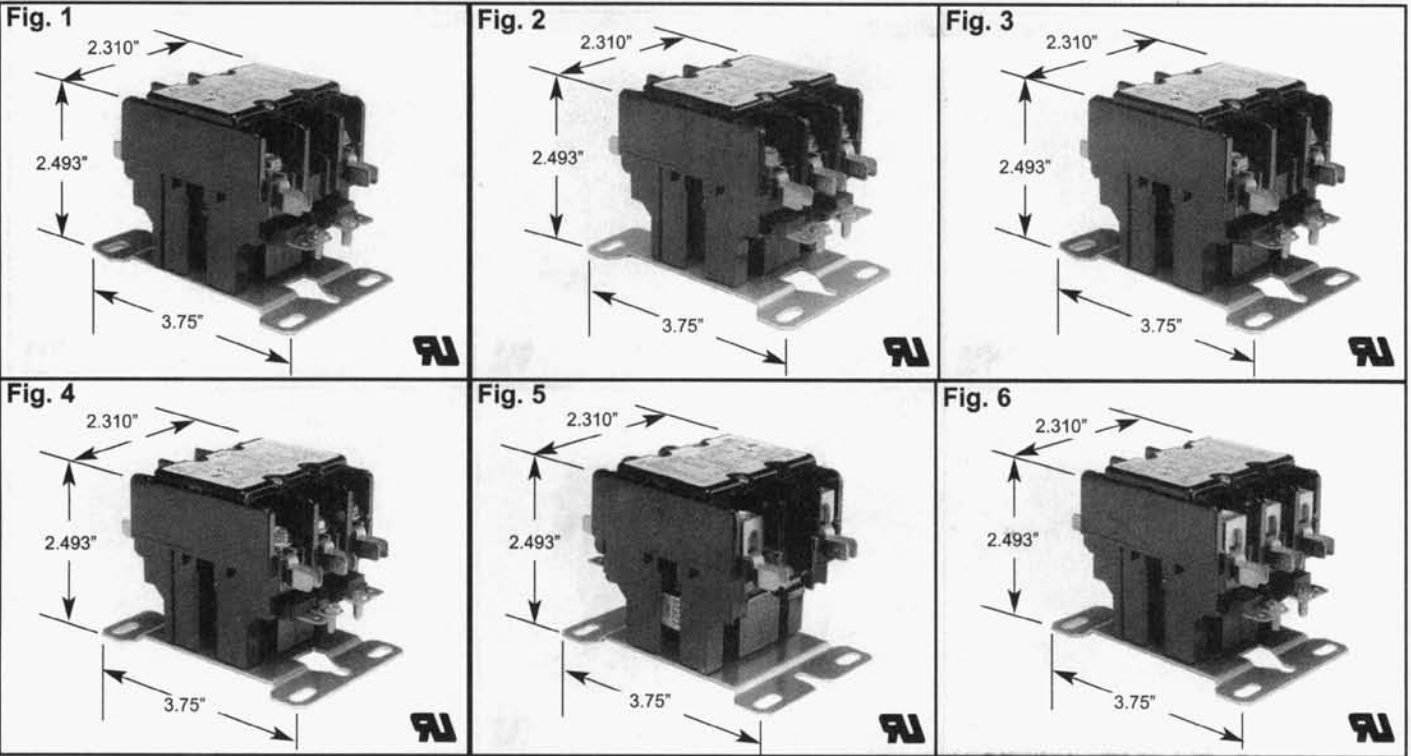
Model 86 Definite Purpose (Con't.)



Rating, Amperes Inductive Full Load	Line Voltage	Number of Normally Open Poles	Coil Voltage		Part Number	Fig. Number
			50 Hz	60 Hz		
40	240 - 600	2	24	24	ACC420UM10	1
40	240 - 600	2	110	120	ACC420UM20	1
40	240 - 600	2	208	240	ACC420UM30	1
40	240 - 600	3	24	24	ACC430UM10	2
40	240 - 600	3	110	120	ACC430UM20	2
40	240 - 600	3	208	240	ACC430UM30	2
50	240 - 600	3	24	24	ACC530U10	3
50	240 - 600	3	110	120	ACC530U20	3
60	240 - 600	3	110	120	ACC630U20	3
60	240 - 600	3	208	240	ACC630U30	3
75	240 - 600	3	24	24	ACC730U10	3
75	240 - 600	3	110	120	ACC730U20	3
75	240 - 600	3	208	240	ACC730U30	3
90	240 - 600	3	24	24	ACC937U10	4
90	240 - 600	3	110	120	ACC937U20	4
90	240 - 600	3	208	240	ACC937U30	4
120	240 - 600	3	110	120	ACC1230U20	5
120	240 - 600	3	208	240	ACC1230U30	5

NOTE:
Contact factory for mounting hole dimensions.

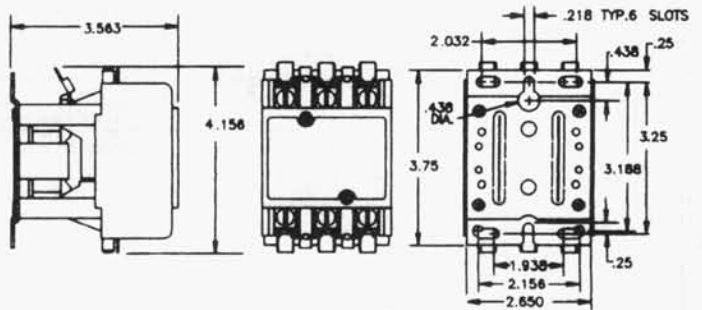
Model 93 Series Definite Purpose



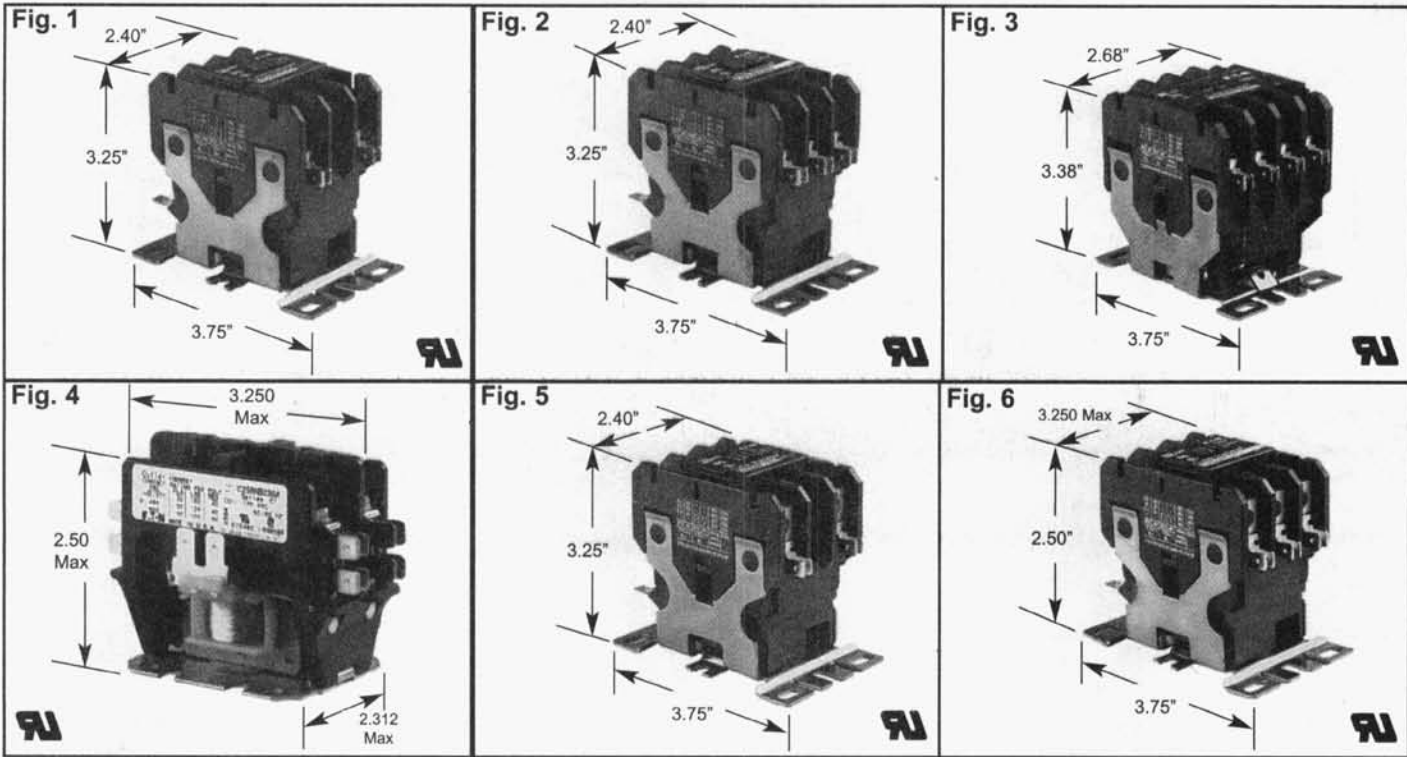
Rating, Amperes		Number of Normally Open Poles	Coil Voltage		Part Number	Fig. Number
Inductive Full Load	Line Voltage		50 Hz	60 Hz		
25	240 - 600	2	110	120	ACC223UMM20	1
25	240 - 600	3	110	120	ACC233UMM20	2
25	240 - 600	3	208	240	ACC233UMM30	2
30	240 - 600	2	110	120	ACC323UUM20	3
30	240 - 600	3	24	24	ACC333UMM10	4
30	240 - 600	3	110	120	ACC333UMM20	4
30	240 - 600	3	208	240	ACC333UMM30	4
40	240 - 600	2	110	120	ACC423UMM20	5
40	240 - 600	2	208	240	ACC423UMM30	5
40	240 - 600	3	24	24	ACC433UMM10	6
40	240 - 600	3	110	120	ACC433UMM20	6
40	240 - 600	3	208	240	ACC433UMM30	6
60	240 - 600	3	24	24	ACC633U10	6
60	240 - 600	3	110	120	ACC633U20	6
60	240 - 600	3	208	240	ACC633U30	6

NOTE: Contact factory for mounting hole dimensions.

Dimensions for ACC633 series.



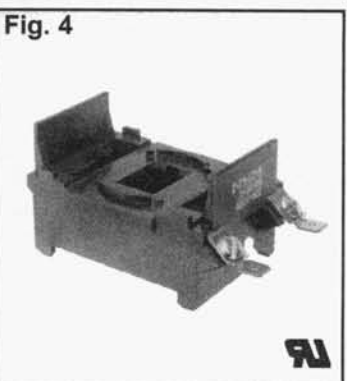
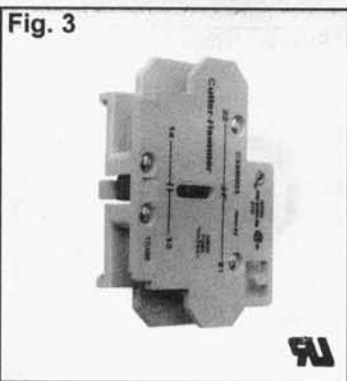
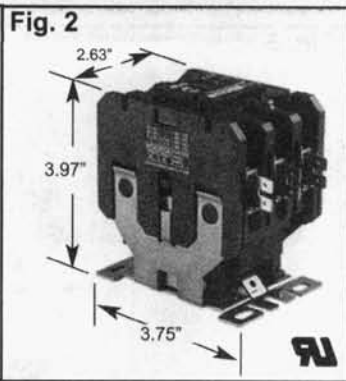
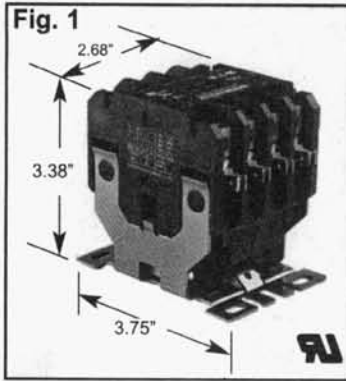
Definite Purpose



Rating, Amperes		Number of Normally Open Poles	Coil Voltage		Reference No.	Part Number	Fig. No.
Inductive Full Load	Line Voltage		50 Hz	60 Hz			
20	240 - 600	2	120	120	DPB220-120	C25BNB220A*	4
25	115 - 575	2	24	24	DPD225-24	C25DND225T	1
25	115 - 575	2	104 - 120	104 - 120	DPD225-120	C25DND225A	1
25	115 - 575	2	208 - 240	208 - 240	DPD225-240	C25DND225B	1
25	115 - 575	3	24	24	DPD325-24	C25DND325T	2
25	115 - 575	3	104 - 120	104 - 120	DPD325-120	C25DND325A	2
25	115 - 575	3	208-240	208 - 240	DPD325-240	C25DND325B	2
25	115 - 575	4	104 - 120	104 - 120	DPE425-120	C25END425A	3
30	115 - 575	2	104 - 120	104 - 120	DPD230-120	C25DND230A	1
30	115 - 575	2	208 - 240	208 - 240	DPD230-240	C25DND230B	1
30	115 - 575	2	---	277	DPD230-277	C25DND230H	1
30	115 - 575	3	24	24	DPD330-24	C25DND330T	2
30	115 - 575	3	104 - 120	104 - 120	DPD330-120	C25DND330A	2
30	115 - 575	3	208 - 240	208 - 240	DPD330-240	C25DND330B	2
30	115 - 575	3	---	277	DPD330-277	C25DND330H	2
30	115 - 575	3	440 - 480	440 - 480	DPD330-480	C25DND330C	2
30	115 - 575	4	24	24	DPE430-24	C25END430T	3
30	115 - 575	4	104 - 120	104 - 120	DPE430-120	C25END430A	3
30	115 - 575	4	208 - 240	208 - 240	DPE430-240	C25END430B	3
30	240 - 600	2	24	24	DPB230-24	C25BNB230T*	4
30	240 - 600	2	120	120	DPB230-120	C25BNB230A*	4
30	240 - 600	2	208	240	DPB230-240	C25BNB230B*	4
40	115 - 575	2	104 - 120	104 - 120	DPD240-120	C25DNF240A	5
40	115 - 575	2	208 - 240	208 - 240	DPD240-240	C25DNF240B	5
40	115 - 575	3	24	24	DPD340-24	C25DNF340T	6
40	115 - 575	3	104 - 120	104 - 120	DPD340-120	C25DNF340A	6
40	115 - 575	3	208 - 240	208 - 240	DPD340-240	C25DNF340B	6
40	115 - 575	3	440 - 480	440 - 480	DPD340-480	C25DNF340C	6

* Has non-replaceable coil.
NOTE: Contact factory for mounting hole dimensions.

Definite Purpose (Con't.)



Rating, Amperes Inductive Full Load	Line Voltage	Number of Normally Open Poles	Coil Voltage		Reference No.	Part Number	Fig. No.
			50 Hz	60 Hz			
40	115 - 575	4	104 - 120	104 - 120	DPE440-120	C25ENF440A	1
40	115 - 575	4	208 - 240	208 - 240	DPE440-240	C25ENF440B	1
50	115 - 575	3	104 - 120	104 - 120	DPF350-120	C25FNF350A	2
50	115 - 575	3	208 - 240	208 - 240	DPF350-240	C25FNF350B	2
60	115 - 575	3	104 - 120	104 - 120	DPF360-120	C25FNF360A	2
60	115 - 575	3	208 - 240	208 - 240	DPF360-240	C25FNF360B	2

Accessories & Replacement Parts

Auxiliary Contact Kits (Side Mounted)

Heavy Duty Pilot Rated for 10 Amperes at 600V ac		
Circuit	Part Number	Fig. No.
1 NO	C320KG1	3
1 NO - NC	C320KG3	3

AC Magnet Coils for Types C25, 2 & 3P, 15 thru 40 Ampere Sizes

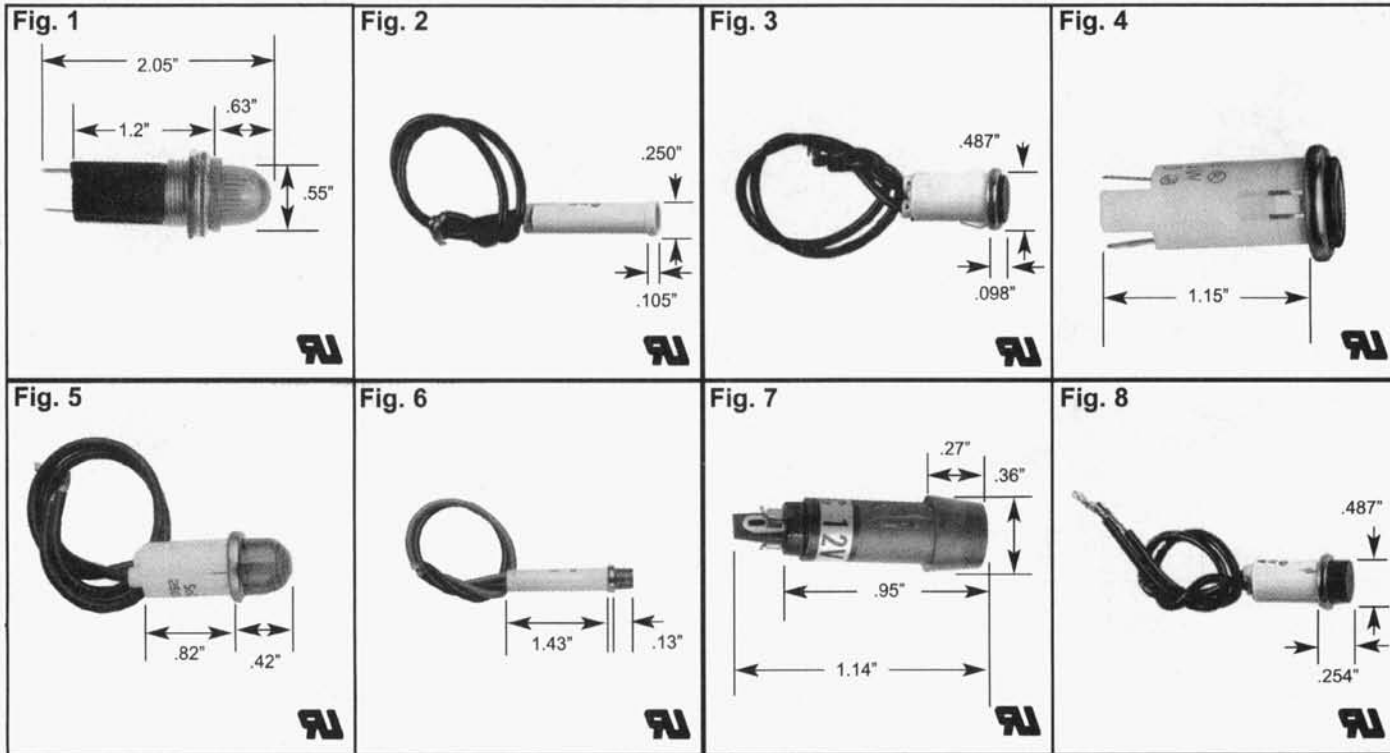
Coil Suffix	Coil Voltage 50/60 Hz	Part Number	Fig. No.
T	24	9-2741-6	4
A	104 - 120	9-2741-1	4



"The hope of finding one long-lasting sustainable advantage in a hypercompetitive marketplace is largely a pipedream."

—Philip Kotler

Incandescent, Neon, & LED Indicator Lights

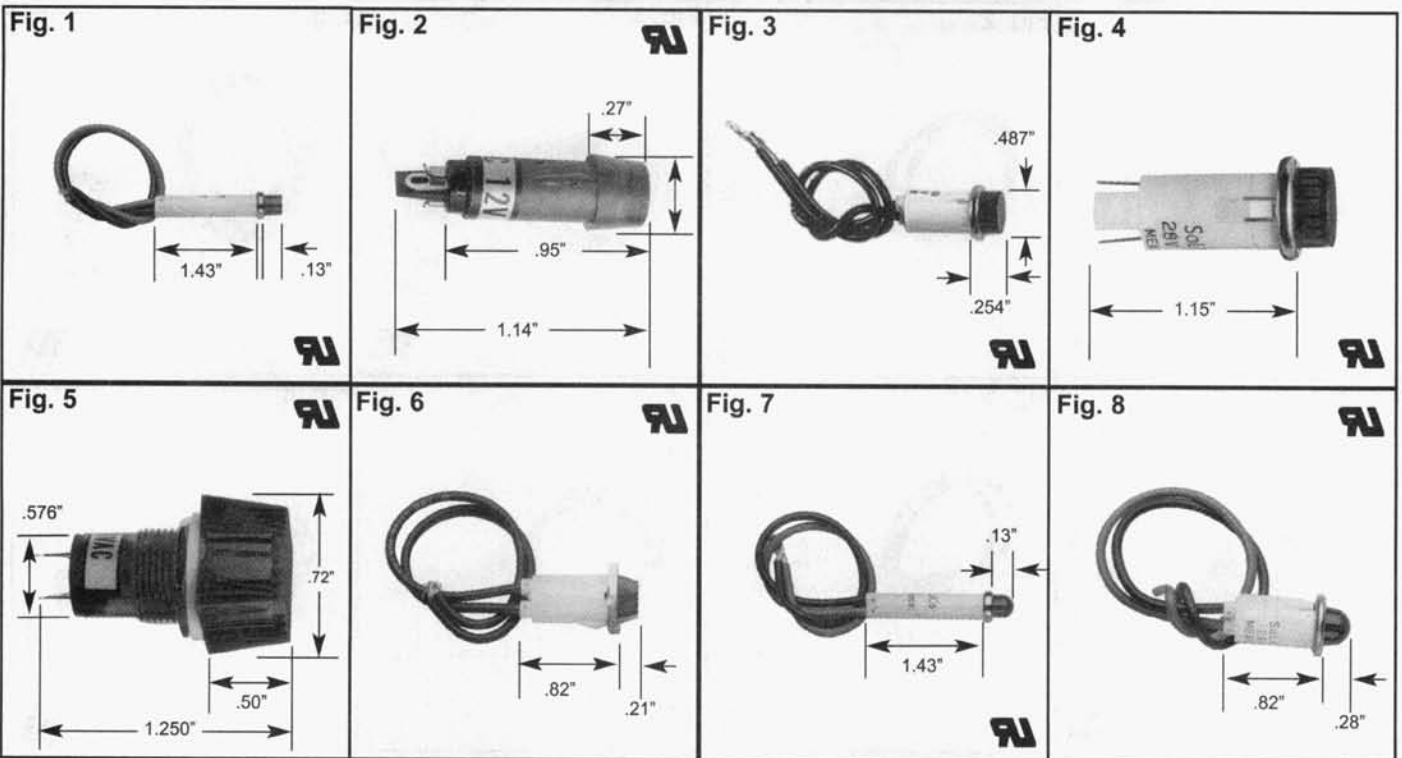


Lens Color	Lens Type	Lamp Voltage	Lamp Type	Hole Size	Termination	Bezel Color	Part Number	Fig. No.
Amber/Transparent	Dome	14V	Incandescent	.625"	Solder	Chrome	SL68826-4*	1
Amber/Transparent	Dome	28V	Incandescent	.625"	Solder	Chrome	SL68826-5*	1
Amber/Transparent	Flush	14V	Incandescent	.312"	6" Wire Leads	White	SL32116-4*	2
Amber/Transparent	Flush	14V	Incandescent	.50"	6" Wire Leads	Stainless	SL53216-4*	3
Amber/Transparent	Flush	28V	Incandescent	.312"	6" Wire Leads	White	SL32116-5*	2
Amber/Transparent	Flush	28V	Incandescent	.50"	6" Wire Leads	Stainless	SL53216-5*	3
Amber/Transparent	Flush	125V	Neon	.312"	6" Wire Leads	White	SL32116-6*	2
Amber/Transparent	Flush	125V	Neon	.50"	6" Wire Leads	Stainless	SL53216-6*	3
Amber/Transparent	Flush	125V	Neon	.50"	.187" Q.C.	Stainless	SL53226-6*	4
Amber/Transparent	Flush	250V	Neon	.312"	6" Wire Leads	White	SL32116-7*	2
Amber/Transparent	Flush	250V	Neon	.50"	6" Wire Leads	Stainless	SL53216-7*	3
Amber/Transparent	Large Dome	14V	Incandescent	.50"	6" Wire Leads	Stainless	SL53816-4*	5
Amber/Transparent	Large Dome	28V	Incandescent	.50"	6" Wire Leads	Stainless	SL53816-5*	5
Amber/Transparent	Large Dome	125V	Neon	.50"	6" Wire Leads	Stainless	SL53816-6*	5
Amber/Transparent	Raised	6V	LED	.312"	6" Wire Leads	Chrome	SL32416-1*	6
Amber/Transparent	Raised	14V	Incandescent	.315"	Solder Lug	None	SL31416-4*	7
Amber/Transparent	Raised	14V	Incandescent	.312"	6" Wire Leads	Chrome	SL32416-4*	6
Amber/Transparent	Raised	14V	Incandescent	.50"	6" Wire Leads	Stainless	SL53416-4*	8

* Other voltages, terminations, & bezel colors available. Please contact factory for information.

NOTE: Tinnerman Clips are available. Please contact factory for information. For Ordering Information, please turn to page 34-35.

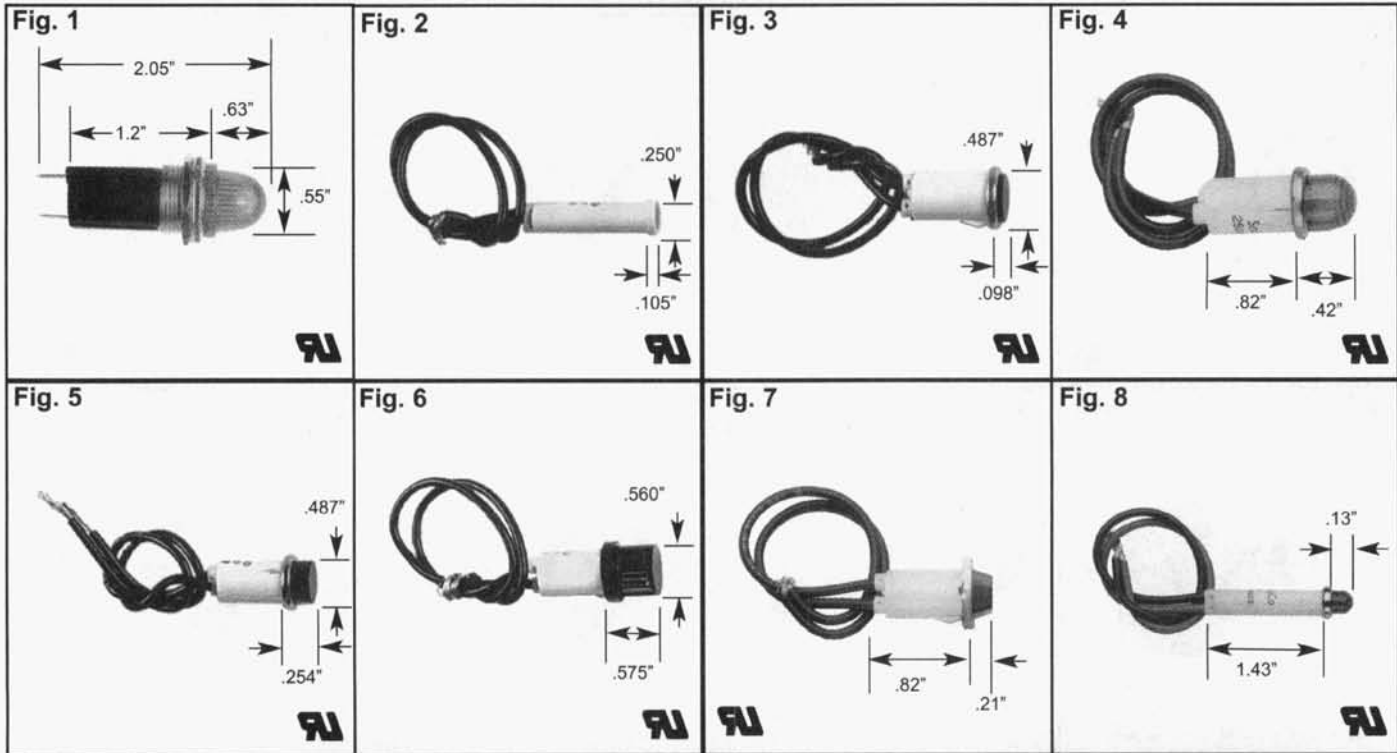
Incandescent, Neon, & LED Indicator Lights (Con't.)



Lens Color	Lens Type	Lamp Voltage	Lamp Type	Hole Size	Termination	Bezel Color	Part Number	Fig. No.
Amber/Transparent	Raised	14V	LED	.312"	6" Wire Leads	Chrome	SL32416-2*	1
Amber/Transparent	Raised	28V	Incandescent	.315"	Solder lug	None	SL31416-5*	2
Amber/Transparent	Raised	28V	Incandescent	.312"	6" Wire Leads	Chrome	SL32416-5*	1
Amber/Transparent	Raised	28V	Incandescent	.50"	6" Wire Leads	Stainless	SL53416-5*	3
Amber/Transparent	Raised Square	28V	Incandescent	.50"	.187" Q.C.	Stainless	SL55426-5*	6
Amber/Transparent	Raised	28V	LED	.312"	6" Wire Leads	Chrome	SL32416-3*	1
Amber/Transparent	Raised	125V	Neon	.312"	6" Wire Leads	Chrome	SL32416-6*	1
Amber/Transparent	Raised	125V	Neon	.50"	6" Wire Leads	Stainless	SL53416-6*	3
Amber/Transparent	Raised Square	125V	Neon	.50"	.187" Q.C.	Stainless	SL55426-6*	6
Amber/Transparent	Raised Square	125V	Neon	.59"	Solder	None	SL54426-6*	5
Amber/Transparent	Raised Square	125V	Neon	.50"	6" Wire Leads	Chrome	SL55416-6*	6
Amber/Transparent	Raised	250V	Neon	.50"	6" Wire Leads	Stainless	SL53416-7*	3
Amber/Transparent	Small Dome	6V	LED	.312"	6" Wire Leads	Chrome	SL32916-1*	7
Amber/Transparent	Small Dome	14V	LED	.312"	6" Wire Leads	Chrome	SL32916-2*	7
Amber/Transparent	Small Dome	28V	LED	.312"	6" Wire Leads	Chrome	SL32916-3*	7
Amber/Transparent	Small Dome	14V	LED	.50"	6" Wire Leads	Stainless	SL53916-2*	8

* Other voltages, terminations, & bezel colors available. Please contact factory for information.
NOTE: Tinnerman Clips are available. Please contact factory for information. For Ordering Information, please turn to page 34-35.

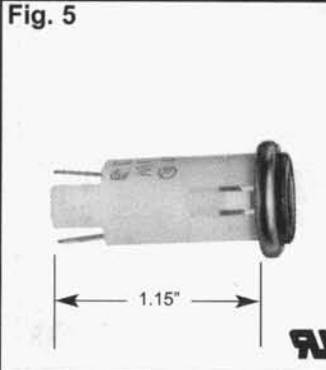
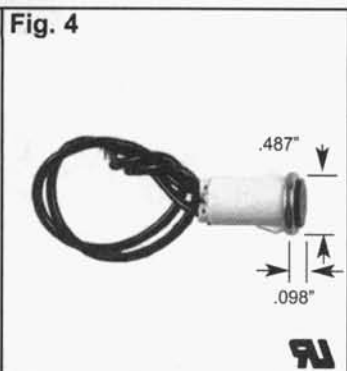
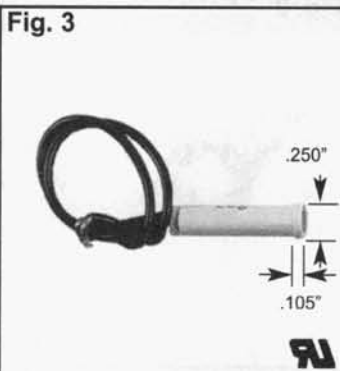
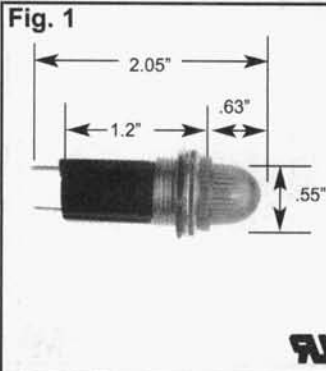
Incandescent, Neon, & LED Indicator Lights (Con't.)



Lens Color	Lens Type	Lamp Voltage	Lamp Type	Hole Size	Termination	Bezel Color	Part Number	Fig. No.
Blue/Transparent	Dome	14V	Incandescent	.625"	Solder	Chrome	SL68822-4*	1
Blue/Transparent	Flush	14V	Incandescent	.312"	6" Wire Leads	White	SL32112-4*	2
Blue/Transparent	Flush	14V	Incandescent	.50"	6" Wire Leads	Stainless	SL53212-4*	3
Blue/Transparent	Flush	28V	Incandescent	.312"	6" Wire Leads	White	SL32112-5*	2
Blue/Transparent	Flush	28V	Incandescent	.50"	6" Wire Leads	Stainless	SL53212-5*	3
Blue/Transparent	Flush	125V	Neon	.312"	6" Wire Leads	White	SL32112-6*	2
Blue/Transparent	Flush	125V	Neon	.50"	6" Wire Leads	Stainless	SL53212-6*	3
Blue/Transparent	Flush	250V	Neon	.312"	6" Wire Leads	White	SL32112-7*	2
Blue/Transparent	Flush	250V	Neon	.50"	6" Wire Leads	Stainless	SL53212-7*	3
Blue/Transparent	Large Dome	28V	Incandescent	.50"	6" Wire Leads	Stainless	SL53812-5*	4
Blue/Transparent	Large Dome	125V	Neon	.50"	6" Wire Leads	Stainless	SL53812-6*	4
Blue/Transparent	Raised	14V	Incandescent	.50"	6" Wire Leads	Stainless	SL53412-4*	5
Blue/Transparent	Raised	28V	Incandescent	.50"	6" Wire Leads	Stainless	SL53412-5*	5
Blue/Transparent	Raised	125V	Neon	.50"	6" Wire Leads	Stainless	SL53412-6*	5
Blue/Transparent	Raised	250V	Neon	.50"	6" Wire Leads	Stainless	SL53412-7*	5
Clear/Transparent	Dome	14V	Incandescent	.625"	Solder	Chrome	SL68824-4*	1
Clear/Transparent	Flush	14V	Incandescent	.312"	6" Wire Leads	White	SL32114-4*	2
Clear/Transparent	Flush	14V	Incandescent	.50"	6" Wire Leads	Stainless	SL53214-4*	3
Clear/Transparent	Flush	28V	Incandescent	.312"	6" Wire Leads	White	SL32114-5*	2
Clear/Transparent	Flush	28V	Incandescent	.50"	6" Wire Leads	Stainless	SL53214-5*	3
Clear/Transparent	Flush	125V	Neon	.312"	6" Wire Leads	White	SL32114-6*	2
Clear/Transparent	Flush	125V	Neon	.50"	6" Wire Leads	Stainless	SL53214-6*	3
Clear/Transparent	Flush	250V	Neon	.50"	6" Wire Leads	Stainless	SL53214-7*	3
Clear/Transparent	Hooded	14V	Incandescent	.50"	6" Wire Leads	Stainless**	SL53614-4*	6
Clear/Transparent	Hooded	28V	Incandescent	.50"	6" Wire Leads	Stainless**	SL53614-5*	6
Clear/Transparent	Hooded	125V	Neon	.50"	6" Wire Leads	Stainless**	SL53614-6*	6
Clear/Transparent	Large Dome	125V	Neon	.50"	6" Wire Leads	Stainless	SL53814-6*	4
Clear/Transparent	Raised	14V	Incandescent	.50"	6" Wire Leads	Stainless	SL53414-4*	5
Clear/Transparent	Raised	28V	Incandescent	.50"	6" Wire Leads	Stainless	SL53414-5*	5
Clear/Transparent	Raised	125V	Neon	.50"	6" Wire Leads	Stainless	SL53414-6*	5
Clear/Transparent	Raised Square	125V	Neon	.50"	6" Wire Leads	Stainless	SL55414-6*	7
Clear/Transparent	Raised	250V	Neon	.50"	6" Wire Leads	Stainless	SL53414-7*	5
Green/Transparent	Dome	6V	LED	.312"	6" Wire Leads	Chrome	SL32913-1*	8

* Other voltages, terminations, & bezel colors available. Please contact factory for information. ** Black hood covers bezel.
 NOTE: Tinnerman Clips are available. Please contact factory for information. For Ordering Information, please turn to page 34-35.

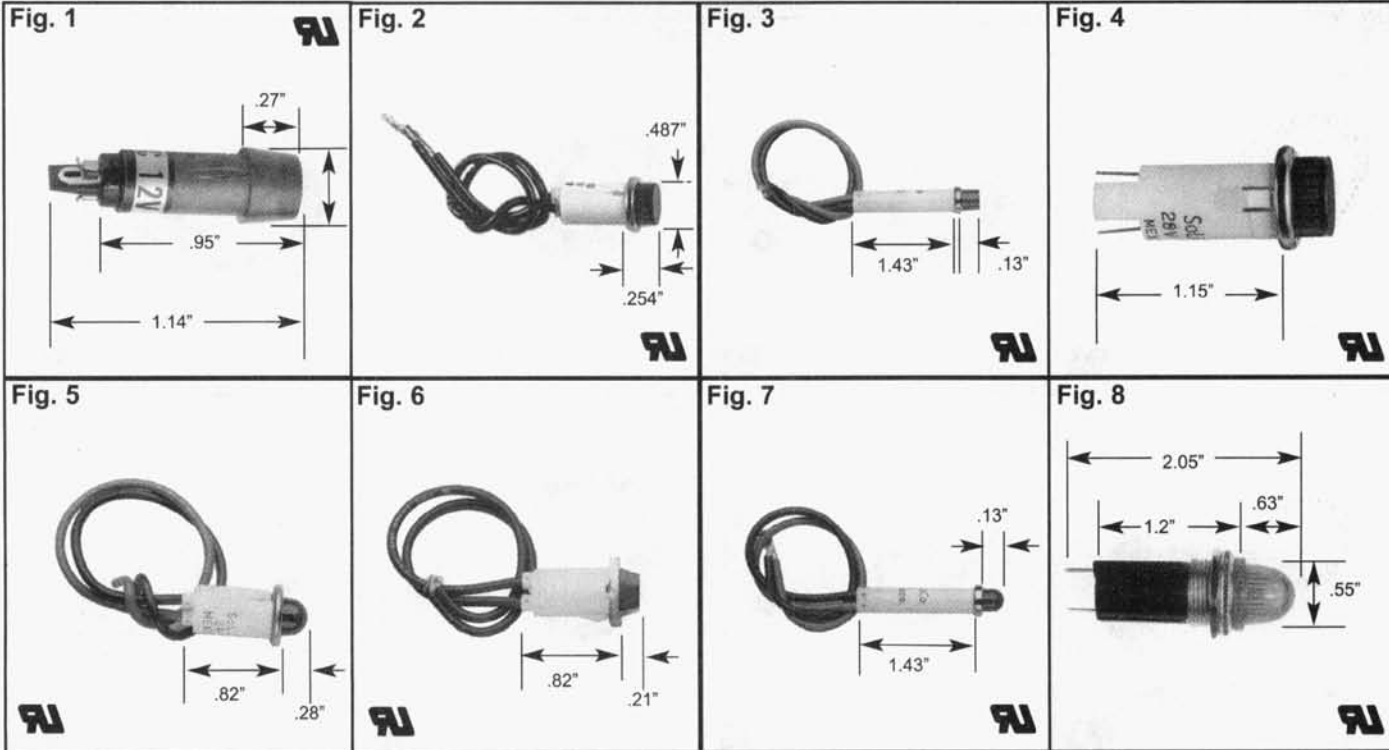
Incandescent, Neon, & LED Indicator Lights (Con't.)



Lens Color	Lens Type	Lamp Voltage	Lamp Type	Hole Size	Termination	Bezel Color	Part Number	Fig. No.
Green/Transparent	Dome	14V	Incandescent	.625"	Solder	Chrome	SL68823-4*	1
Green/Transparent	Dome	14V	LED	.312"	6" Wire Leads	Chrome	SL32913-2*	2
Green/Transparent	Dome	28V	LED	.312"	6" Wire Leads	Chrome	SL32913-3*	2
Green/Transparent	Dome	28V	Incandescent	.625"	Solder	Chrome	SL68823-5*	1
Green/Transparent	Flush	14V	Incandescent	.312"	6" Wire Leads	White	SL32113-4*	3
Green/Transparent	Flush	14V	Incandescent	.50"	6" Wire Leads	Stainless	SL53213-4*	4
Green/Transparent	Flush	28V	Incandescent	.312"	6" Wire Leads	White	SL32113-5*	3
Green/Transparent	Flush	28V	Incandescent	.50"	6" Wire Leads	Stainless	SL53213-5*	4
Green/Transparent	Flush	28V	Incandescent	.50"	.187" Q.C.	Stainless	SL53223-5*	5
Green/Transparent	Flush	125V	Neon	.312"	6" Wire Leads	White	SL32113-6*	3
Green/Transparent	Flush	125V	Neon	.50"	6" Wire Leads	Stainless	SL53213-6*	4
Green/Transparent	Flush	125V	Neon	.50"	.187" Q.C.	Stainless	SL53223-6*	5
Green/Transparent	Flush	250V	Neon	.312"	6" Wire Leads	White	SL32113-7*	3
Green/Transparent	Flush	250V	Neon	.50"	6" Wire Leads	Stainless	SL53213-7*	4
Green/Transparent	Large Dome	14V	Incandescent	.50"	6" Wire Leads	Stainless	SL53813-4*	7
Green/Transparent	Large Dome	28V	Incandescent	.50"	6" Wire Leads	Stainless	SL53813-5*	7
Green/Transparent	Large Dome	125V	Neon	.50"	6" Wire Leads	Stainless	SL53813-6*	7
Green/Transparent	Raised	6V	LED	.312"	6" Wire Leads	Chrome	SL32413-1*	8
Green/Transparent	Raised	14V	LED	.312"	6" Wire Leads	Chrome	SL32413-2*	8
Green/Transparent	Raised	14V	Incandescent	.312"	6" Wire Leads	Chrome	SL32413-4*	8

* Other voltages, terminations, & bezel colors available. Please contact factory for information.
NOTE: Tinnerman Clips are available. Please contact factory for information. For Ordering Information, please turn to page 34-35.

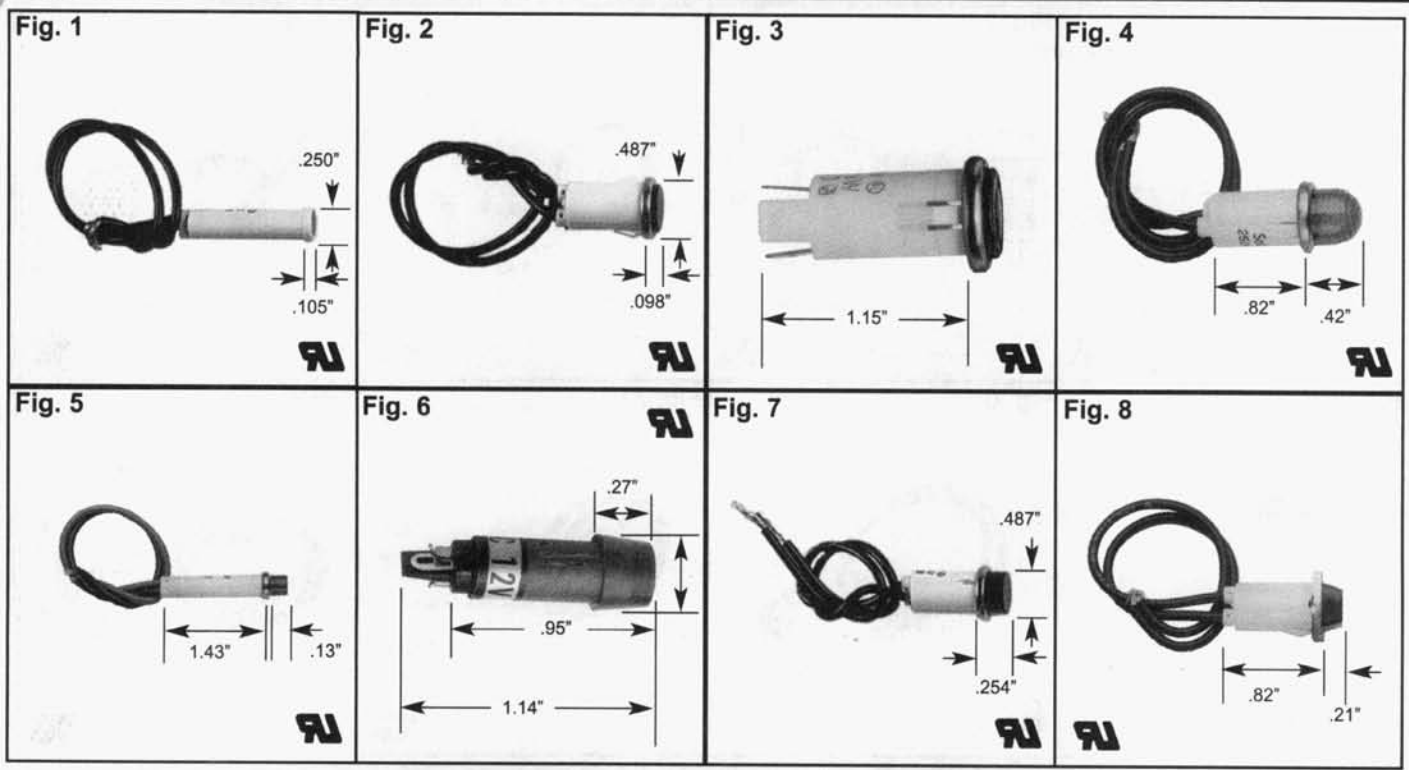
Incandescent, Neon, & LED Indicator Lights (Con't.)



Lens Color	Lens Type	Lamp Voltage	Lamp Type	Hole Size	Termination	Bezel Color	Part Number	Fig. No.
Green/Transparent	Raised	14V	Incandescent	.315"	Solder Lug	None	SL31413-4*	1
Green/Transparent	Raised	14V	Incandescent	.50"	6" Wire Leads	Stainless	SL53413-4*	2
Green/Transparent	Raised	28V	LED	.312"	6" Wire Leads	Chrome	SL32413-3*	3
Green/Transparent	Raised	28V	Incandescent	.312"	6" Wire Leads	Chrome	SL32413-5*	3
Green/Transparent	Raised	28V	Incandescent	.50"	6" Wire Leads	Stainless	SL53413-5*	2
Green/Transparent	Raised Square	28V	Incandescent	.50"	.187" Q.C.	Stainless	SL55423-5*	6
Green/Transparent	Raised	125V	Neon	.312"	6" Wire Leads	Chrome	SL32413-6*	3
Green/Transparent	Raised	125V	Neon	.50"	6" Wire Leads	Stainless	SL53413-6*	2
Green/Transparent	Raised	250V	Neon	.50"	6" Wire Leads	Stainless	SL53413-7*	2
Green/Transparent	Raised Square	125V	Neon	.50"	.187" Q.C.	Stainless	SL55423-6*	6
Green/Transparent	Small Dome	14V	LED	.50"	6" Wire Leads	Stainless	SL53913-2*	5
Green/Transparent	Small Dome	28V	LED	.50"	6" Wire Leads	Stainless	SL53913-3*	5
Green/Transparent	Small Dome	125V	LED	.50"	6" Wire Leads	Stainless	SL53913-9*	5
Green/Transparent	Square	125V	Neon	.50"	6" Wire Leads	Stainless	SL55413-6*	6
Red/Transparent	Dome	6V	LED	.312"	6" Wire Leads	Chrome	SL32915-1*	7
Red/Transparent	Dome	14V	LED	.312"	6" Wire Leads	Chrome	SL32915-2*	7
Red/Transparent	Dome	12V	Incandescent	.625"	Solder	Chrome	SL68825-4*	8
Red/Transparent	Dome	28V	LED	.312"	6" Wire Leads	Chrome	SL32915-3*	7
Red/Transparent	Dome	24V	Incandescent	.625"	Solder	Chrome	SL68825-5*	8
Red/Transparent	Dome	125V	Neon	.625"	Solder	Chrome	SL68825-6*	8

* Other voltages, terminations, & bezel colors available. Please contact factory for information.
 NOTE: Tinnerman Clips are available. Please contact factory for information. For Ordering Information, please turn to page 34-35.

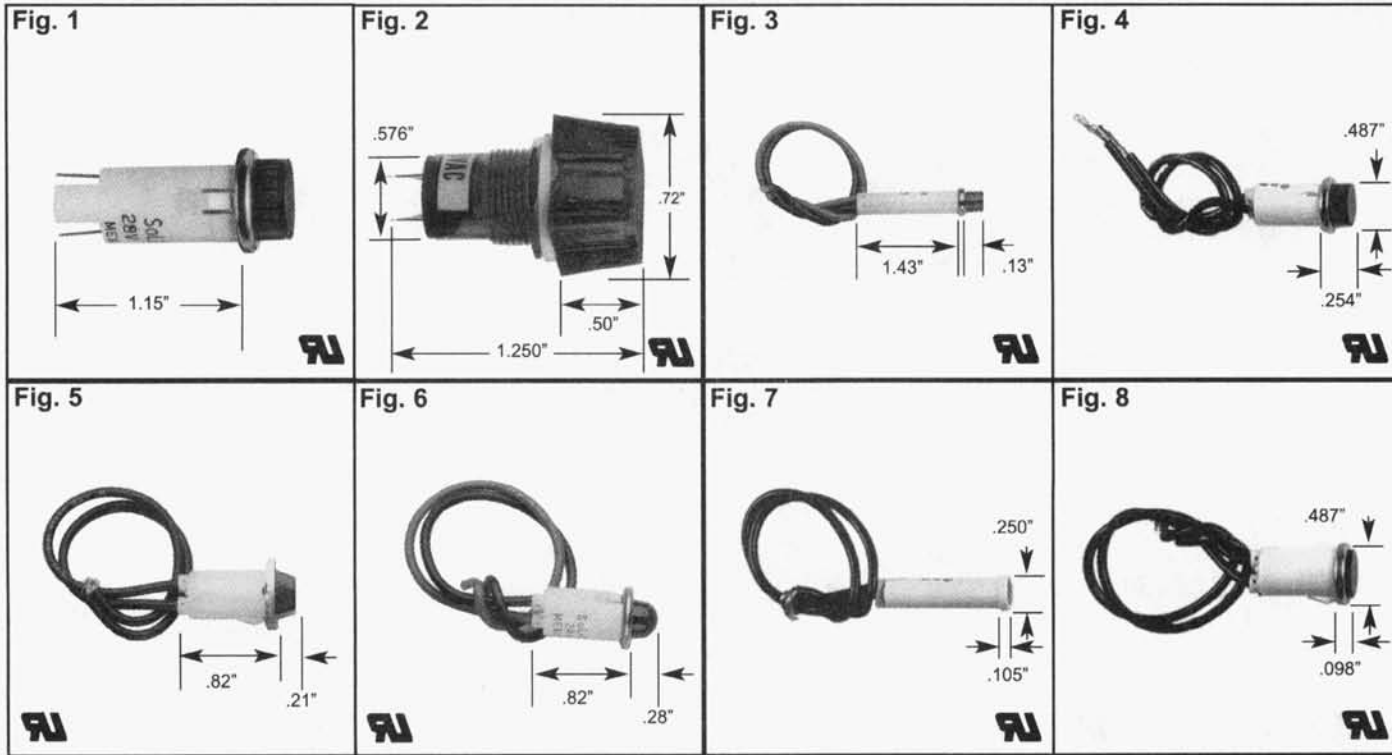
Incandescent, Neon, & LED Indicator Lights (Con't.)



Lens Color	Lens Type	Lamp Voltage	Lamp Type	Hole Size	Termination	Bezel Color	Part Number	Fig. No.
Red/Transparent	Flush	14V	Incandescent	.312"	6" Wire Leads	White	SL32115-4*	1
Red/Transparent	Flush	14V	Incandescent	.50"	6" Wire Leads	Stainless	SL53215-4*	2
Red/Transparent	Flush	28V	Incandescent	.312"	6" Wire Leads	White	SL32115-5*	1
Red/Transparent	Flush	28V	Incandescent	.50"	6" Wire Leads	Stainless	SL53215-5*	2
Red/Transparent	Flush	28V	Incandescent	.50"	.187" Q.C.	Stainless	SL53225-5*	3
Red/Transparent	Flush	125V	Neon	.312"	6" Wire Leads	White	SL32115-6*	1
Red/Transparent	Flush	125V	Neon	.50"	6" Wire Leads	Stainless	SL53215-6*	2
Red/Transparent	Flush	125V	Neon	.50"	.187" Q.C.	Stainless	SL53225-6*	3
Red/Transparent	Flush	250V	Neon	.312"	6" Wire Leads	White	SL32115-7*	1
Red/Transparent	Flush	250V	Neon	.50"	6" Wire Leads	Stainless	SL53215-7*	2
Red/Transparent	Flush	480V	Neon	.50"	6" Wire Leads	Stainless	SL53215-8*	2
Red/Transparent	Large Dome	14V	Incandescent	.50"	6" Wire Leads	Stainless	SL53815-4*	4
Red/Transparent	Large Dome	28V	Incandescent	.50"	6" Wire Leads	Stainless	SL53815-5*	4
Red/Transparent	Large Dome	125V	Neon	.50"	6" Wire Leads	Stainless	SL53815-6*	4
Red/Transparent	Raised	6V	LED	.312"	6" Wire Leads	Chrome	SL32415-1*	5
Red/Transparent	Raised	14V	LED	.312"	6" Wire Leads	Chrome	SL32415-2*	5
Red/Transparent	Raised	12V	Incandescent	.315"	Solder Lug	None	SL31415-4*	6
Red/Transparent	Raised	14V	Incandescent	.312"	6" Wire Leads	Chrome	SL53415-4*	5
Red/Transparent	Raised	14V	Incandescent	.50"	6" Wire Leads	Stainless	SL53415-4*	7
Red/Transparent	Raised	28V	LED	.312"	6" Wire Leads	Chrome	SL32415-3*	5
Red/Transparent	Raised	28V	Incandescent	.312"	6" Wire Leads	Chrome	SL32415-5*	5
Red/Transparent	Raised	28V	Incandescent	.315"	Solder Lug	None	SL31415-5*	6
Red/Transparent	Raised	28V	Incandescent	.50"	6" Wire Leads	Stainless	SL53415-5*	7

* Other voltages, terminations, & bezel colors available. Please contact factory for information.
NOTE: Tinnerman Clips are available. Please contact factory for information. For Ordering Information, please turn to page 34-35.

Incandescent, Neon, & LED Indicator Lights (Con't.)

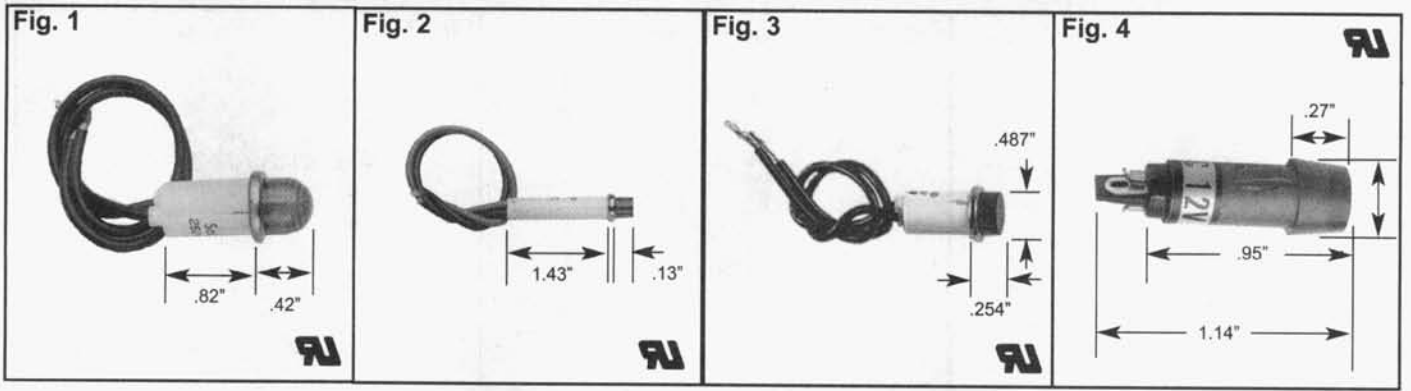


Lens Color	Lens Type	Lamp Voltage	Lamp Type	Hole Size	Termination	Bezel Color	Part Number	Fig. No.
Red/Transparent	Raised Square	28V	Incandescent	.50"	.187" Q.C.	Stainless	SL55425-5*	5
Red/Transparent	Raised	125V	Neon	.312"	6" Wire Leads	Chrome	SL32415-6*	3
Red/Transparent	Raised	125V	Neon	.50"	6" Wire Leads	Stainless	SL53415-6*	4
Red/Transparent	Raised	250V	Neon	.50"	6" Wire Leads	Stainless	SL53415-7*	4
Red/Transparent	Raised Square	125V	Neon	.50"	6" Wire Leads	Stainless	SL55415-6*	5
Red/Transparent	Raised Square	125V	Neon	.50"	.187" Q.C.	Stainless	SL55425-6*	5
Red/Transparent	Raised	125V	Neon	.59"	.187" Q.C.	None	SL54425-6*	2
Red/Transparent	Raised	480V	Neon	.50"	6" Wire Leads	Stainless	SL53415-8*	4
Red/Transparent	Small Dome	6V	LED	.50"	6" Wire Leads	Stainless	SL53915-1*	6
Red/Transparent	Small Dome	14V	LED	.50"	6" Wire Leads	Stainless	SL53915-2*	6
Red/Transparent	Small Dome	28V	LED	.50"	6" Wire Leads	Stainless	SL53915-3*	6
White/Translucent	Flush	14V	Incandescent	.312"	6" Wire Leads	White	SL32111-4*	7
White/Translucent	Flush	14V	Incandescent	.50"	6" Wire Leads	Stainless	SL53211-4*	8
White/Translucent	Flush	28V	Incandescent	.312"	6" Wire Leads	White	SL32111-5*	7
White/Translucent	Flush	28V	Incandescent	.50"	6" Wire Leads	Stainless	SL53211-5*	8
White/Translucent	Flush	125V	Neon	.312"	6" Wire Leads	White	SL32111-6*	7
White/Translucent	Flush	125V	Neon	.50"	6" Wire Leads	Stainless	SL53211-6*	8
White/Translucent	Flush	250V	Neon	.312"	6" Wire Leads	White	SL32111-7*	7
White/Translucent	Flush	250V	Neon	.50"	6" Wire Leads	Stainless	SL53211-7*	8

* Other voltages, terminations, & bezel colors available. Please contact factory for information.

NOTE: Tinnerman Clips are available. Please contact factory for information. For Ordering Information, please turn to page 35-36.

Incandescent, Neon, & LED Indicator Lights (Con't.)



Lens Color	Lens Type	Lamp Voltage	Lamp Type	Hole Size	Termination	Bezel Color	Part Number	Fig. No.
White/Translucent	Large Dome	125V	Neon	.50"	6" Wire Leads	Stainless	SL53811-6*	1
White/Translucent	Raised	14V	Incandescent	.312"	6" Wire Leads	Chrome	SL32411-4*	2
White/Translucent	Raised	14V	Incandescent	.50"	6" Wire Leads	Stainless	SL53411-4*	3
White/Translucent	Raised	28V	Incandescent	.312"	6" Wire Leads	Chrome	SL32411-5*	2
White/Translucent	Raised	28V	Incandescent	.315"	Solder Lug	None	SL31411-5*	4
White/Translucent	Raised	28V	Incandescent	.50"	6" Wire Leads	Stainless	SL53411-5*	3
White/Translucent	Raised	125V	Neon	.312"	6" Wire Leads	Chrome	SL32411-6*	2
White/Translucent	Raised	125V	Neon	.50"	6" Wire Leads	Stainless	SL53411-6*	3
White/Translucent	Raised Square	125V	Neon	.50"	.187" Q.C.	Stainless	SL55421-6*	--
White/Translucent	Raised	250V	Neon	.50"	6" Wire Leads	Stainless	SL53411-7*	3

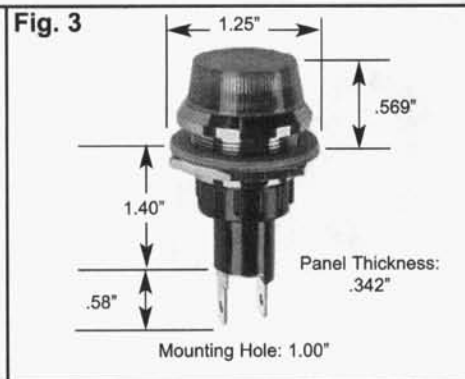
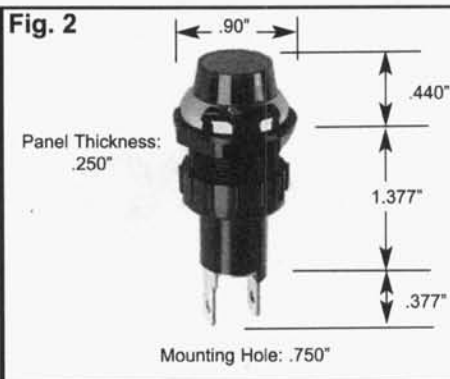
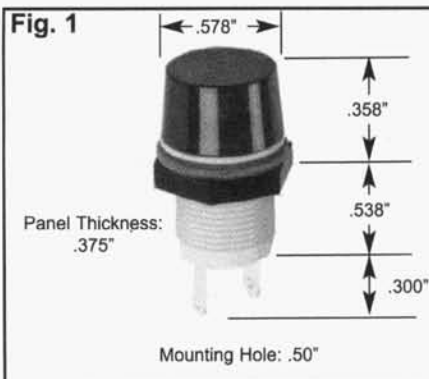
* Other voltages, terminations, & bezel colors available. Please contact factory for information.
NOTE: Tinnerman Clips are available. Please contact factory for information. For Ordering Information, please turn to page 34-35.



"Motivation is what gets you started. Habit is what keeps you going."

— Jim Ryun

Round Indicating Lamp Holders & Replacement Lamps



Lens Color	Lens Type	Lamp Type	Lamp Size	Termination	Bezel Color	Part Number	Fig. No.
Amber	Transparent	Incandescent	T - 1 3/4	Solder Lug	None	SL62016	1
Amber	Transparent	Incandescent	T - 3 1/4	.250" Q.C.	Chrome	SL63016	2
Amber	Transparent	Incandescent	T - 3 1/4	.250" Q.C.	Chrome	SL64016	3
Blue	Transparent	Incandescent	T - 1 3/4	Solder Lug	None	SL62012	1
Blue	Transparent	Incandescent	T - 3 1/4	.250" Q.C.	Chrome	SL63012	2
Blue	Transparent	Incandescent	T - 3 1/4	.250" Q.C.	Chrome	SL64012	3
Clear	Transparent	Incandescent	T - 1 3/4	Solder Lug	None	SL62014	1
Clear	Transparent	Incandescent	T - 3 1/4	.250" Q.C.	Chrome	SL63014	2
Green	Transparent	Incandescent	T - 1 3/4	Solder Lug	None	SL62013	1
Green	Transparent	Incandescent	T - 3 1/4	.250" Q.C.	Chrome	SL63013	2
Green	Transparent	Incandescent	T - 3 1/4	.250" Q.C.	Chrome	SL64013	3
Red	Transparent	Incandescent	T - 1 3/4	Solder Lug	None	SL62015	1
Red	Transparent	Incandescent	T - 3 1/4	.250" Q.C.	Chrome	SL63015	2
Red	Transparent	Incandescent	T - 3 1/4	.250" Q.C.	Chrome	SL64015	3

Replacement Lamps

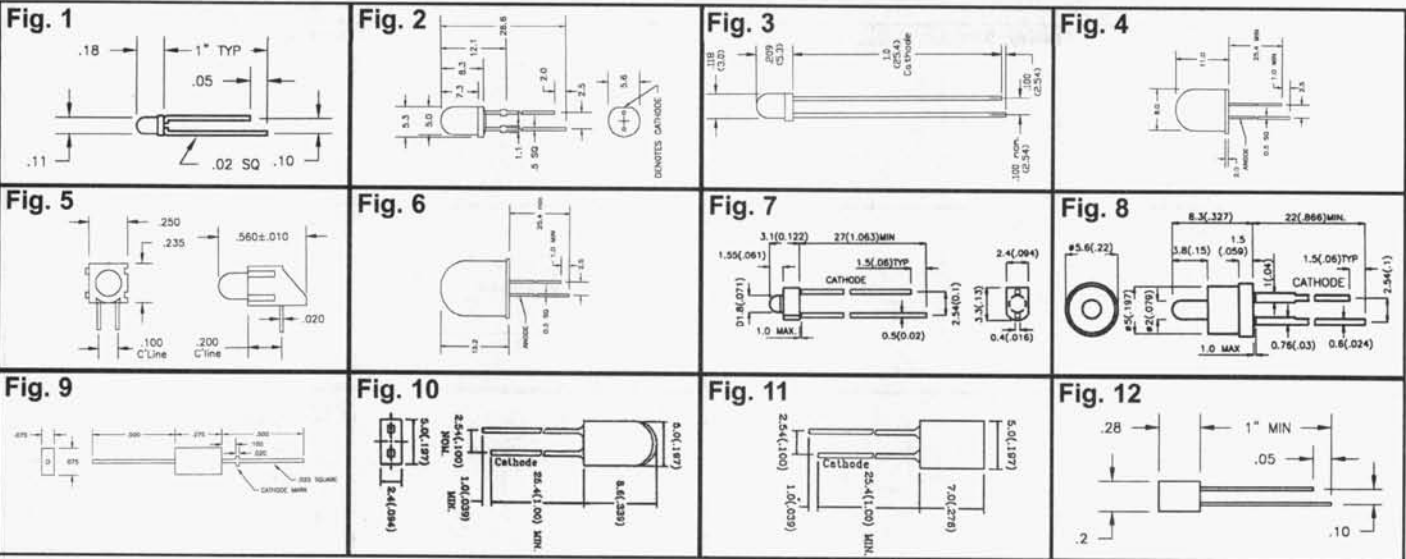
Volts	Lamp Size	Watts	Lamp Life	Part Number
For SL62 Series				
14	T - 1 3/4	1.12	15,000 hrs.	SL6204
28	T - 1 3/4	1.12	7,000 hrs.	SL6205
For SL63 and SL64 Series				
28	T - 3 1/4	1.96	1,000 hrs.	SL6305



"You can compare our roles in the front office to the military: We're the supply corps, not the heroes. We supply the heroes, period. The heroes are out there."

—Herb Kelleher

Bare LEDs



Emitted Color	Lens Type	Raw Material	Wave length	View Angle (Deg.)	Vf (V) Typ.	Vf (V) Max.	If (mA)	Iv (mcd) Min.	Iv (mcd) Typ.	Part Numbers	Fig. No.
Amber	Amber Diffused	GaAsP/GaP	585	60	2.1	2.8	20	2.5	12.5	SL-A03016D1-LP	1
Amber	Clear	GaAsP/GaP	610	30	2.0	2.8	20	12.0	50.0	SL-A03016C1-LP	1
Blue	Clear	GSIC	430	18	3.6	4.5	25	700	1200	SL-A05012C1	2
Blue	Clear	InGaN	470	30	3.6	4.0	25	500	500	SL-A03022C1	3
Blue	Clear	InGaN	470	30	3.6	4.0	25	2000	2000	SL-A05022C1	2
Green	Clear	GaP	565	30	2.1	2.8	20	250	350	SL-A03013C1	3
Green	Clear	GaP	565	30	2.1	2.8	20	8	30	SL-A03013C1-LP	1
Green	Clear	GaP	565	30	2.1	2.8	20	100	250	SL-A05013C1	2
Green	Clear	GaP	565	40	2.1	2.8	20	30	100	SL-A08013D1	4
Green	Green Diffused	GaP	565	60	2.0	2.8	20	---	15.0	SL-A05013D2	2
Green	Green Diffused	GaP	565	60	2.1	---	20	---	12.5	SL-A03013D1	3
Green	Green Diffused	GaP	565	60	2.1	2.8	20	2.5	12.5	SL-A03013D1-LP	1
Green	Green Diffused	GaP	565	60	2.1	2.8	2.0	1.0	5.0	SL-A05013D1-LC	2
Green	Green Diffused	GaP	565	60	2.1	2.8	20	40	80	SL-A05013D1	2
Green	Green Diffused	GaP	565	60	2.1	2.8	20	3	15	SL-E05013D1	5
Green	Green Diffused	GaP	565	60	2.1	2.8	20	5	15	SL-A10013D1	6
Green	Green Diffused	GaP	565	60	5	5.3	20	3.0	15.0	SL-A05013D1-5V	2
Green	Green Diffused	GaP	565	60	12	12.3	20	3.0	15.0	SL-A05013D1-12V	2
Green	Green Diffused	GAF	565	70	2.1	2.8	20	1.5	6.0	SL-A01813D1	7
Green	Green Diffused	GaP	565	70	2.1	2.8	20	2.0	6.0	SL-A02013D1	8
Green	Green Diffused	GaP	565	100	2.1	2.8	20	3	5	SL-F01613D1	9
Green	Green Diffused	GaP	565	100	2.1	2.8	20	3	13	SL-G25513D1	10
Green	Green Diffused	GaP	565	120	2.1	2.8	20	2	8	SL-C25513D1	11
Green	Green Diffused	GaP	565	130	2.1	2.8	20	2	10	SL-C23713D1	12

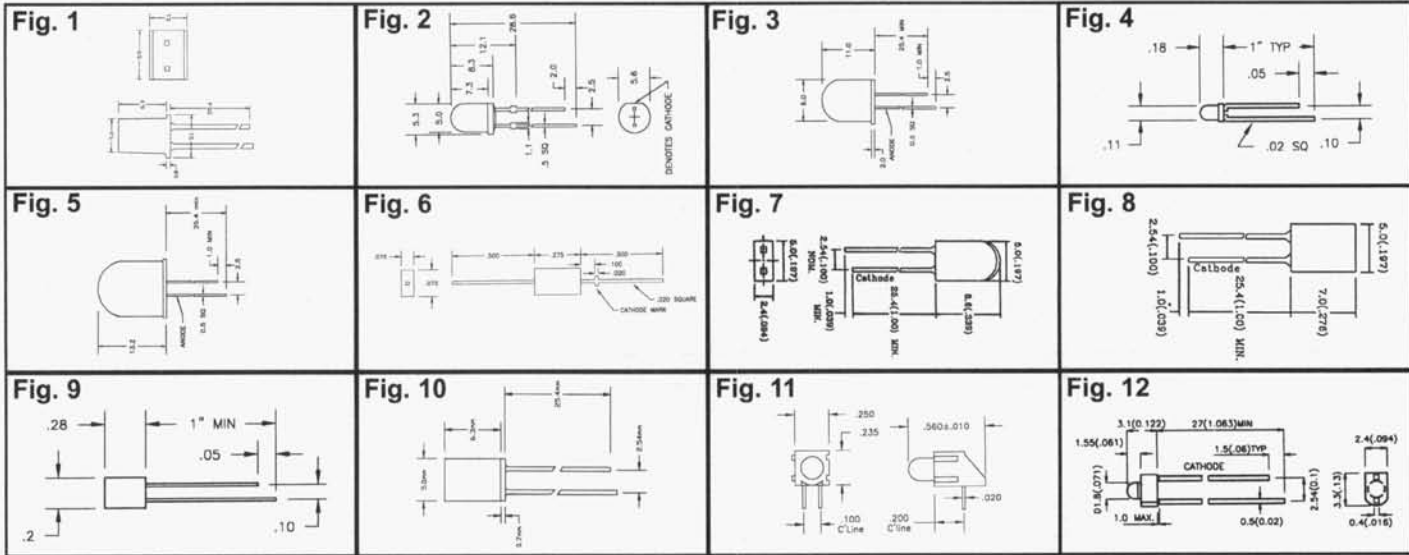
WARNING:
Rectifier Diode must be used for
A C application

Voltage	A C	D C
6 V	100 ohms	220 ohms
12 V	330 ohms	680 ohms
28 V	750 ohms	1500 ohms

RESISTOR: 1/2 WATT

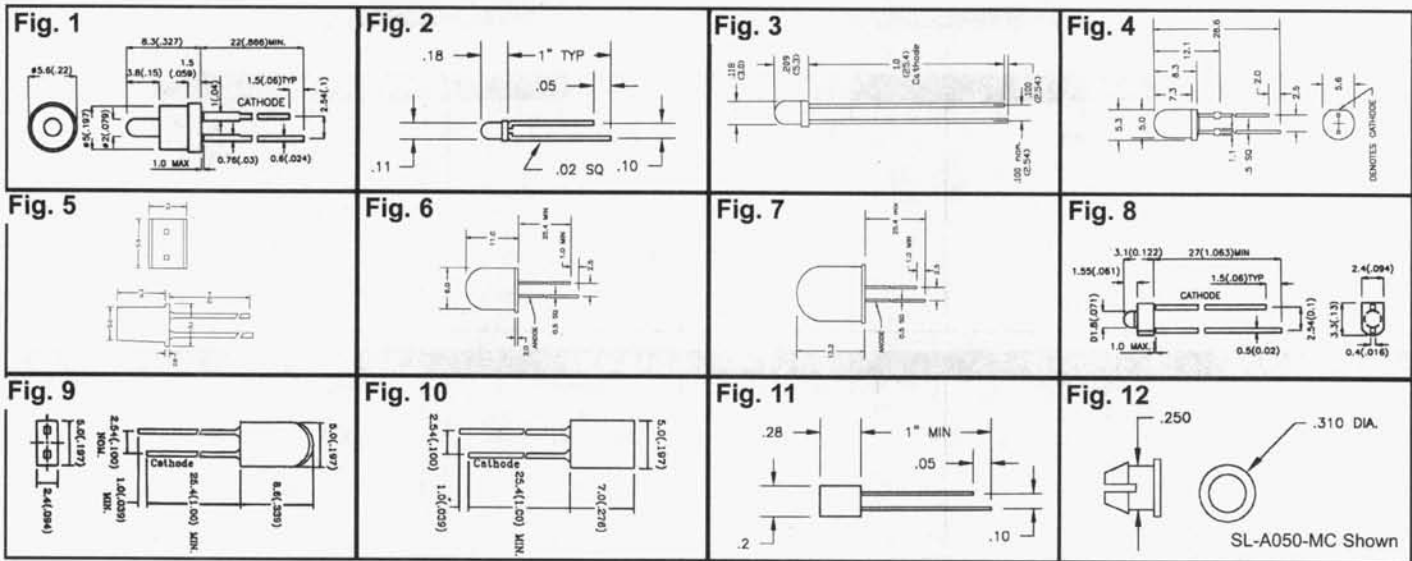
NOTE: All specifications and dimensions are for reference only. If specific information is needed and/or is of critical nature, contact Selecta Switch headquarters for specific information before ordering.

Bare LEDs (Con't.)



Emitted Color	Lens Type	Raw Material	Wave length	View Angle (Deg.)	Vf (V) Typ.	Vf (V) Max.	If (mA)	Iv (mcd) Min.	Iv (mcd) Typ.	Part Numbers	Fig. No.
Green	Green Diffused	GaP	565	150	2.1	2.8	20	2	10	SL-D05513D1	1
Green	Green Transparent	GaP	565	30	2.0	2.8	20	8	20	SL-A05013T1	2
Hi Efficient Red	Clear	GaAsP/GaP	635	40	2.0	2.8	20	40	120	SL-A08015D1	3
Hi Efficient Red	Clear	GaAsP/GaP	635	60	2.0	2.8	20	3	20	SL-A03015C1-LP	4
Hi Efficient Red	Red Diffused	GaAsP/GaP	635	60	1.7	2.0	2	1	10	SL-A05015D1-LC	2
Hi Efficient Red	Red Diffused	GaAsP/GaP	635	60	2.0	2.8	20	8	20	SL-A10015D1	5
Hi Efficient Red	Red Diffused	GaAsP/GaP	635	100	2.0	2.8	20	3	6	SL-F01615D1	6
Hi Efficient Red	Red Diffused	GaAsP/GaP	635	100	2.0	2.8	20	5	15	SL-G25515D1	7
Hi Efficient Red	Red Diffused	GaAsP/GaP	635	120	2.0	2.8	20	3	10	SL-C25515D1	8
Hi Efficient Red	Red Diffused	GaAsP/GaP	635	130	2.0	2.8	20	3	12	SL-C23715D1	9
Hi Efficient Red	Red Transparent	GaAsP/GaP	635	30	2.0	2.8	20	12	40	SL-A03015T1	4
Hi Efficient Red	Red Transparent	GaAsP/GaP	635	60	2.0	2.8	20	15	45	SL-A05015T1	2
Hi Eff. Red/Green	White Diffused	GaAsP/GaP/GaP	635/565	60	2.0	2.8	20	10/8	20/15	SL-A08019D1	3
Hi Eff. Red/Green	White Diffused	GaAsP/GaP/GaP	635/565	120	2.0	2.8	20	8/5	20/15	SL-A05019D1	2
Hi Eff. Red/Green	White Diffused	GaAsP/GaP/GaP	635/565	120	2.0	2.8	20	5/3	12/8	SL-C02519D1	10
Hi Eff. Red/Green	White Diffused	GaAsP/GaP/GaP	635/565	120	3.0	2.8	20	5/3	12/8	SL-A03019D1	4
Orange	Orange Diffused	GaAsP/GaP	635	60	2.1	2.8	20	5	20	SL-A05018D1	2
Orange	Orange Diffused	GaAsP/GaP	635	150	2.0	2.8	20	3	12	SL-D05518D1	1
Orange	Orange Diffused	GaAsP/GaP	635	60	2.0	2.8	20	5	20	SL-E05017D1	11
Orange	Orange Diffused	GaAsP/GaP	635	100	2.0	2.8	20	5	15	SL-G25518D1	7
Pure White	Clear	InGaN/YAG	----	45	3.5	4.0	25	540	900	SL-A03011C1	4
Pure White	Clear	InGaN/YAG	----	45	3.5	4.0	25	540	900	SL-A05011C1	2
Red	Clear	GaAlAs	660	30	1.8	2.1	20	1000	2000	SL-A05015C1	2
Red	Clear	GaAlAs	660	40	1.8	2.1	20	1000	2000	SL-A08015C1	3
Red	Clear	GaAlAs	660	40	1.8	2.1	20	1000	2000	SL-A10015C1	5
Red	Red Diffused	GaAlAs	660	60	1.8	2.1	20	200	300	SL-A05015D1	2
Red	Red Diffused	GaAsP	635	60	2.0	2.8	20	5	20	SL-E05015D1	11
Red	Red Diffused	GaAsP/GaP	635	70	2.0	2.8	20	2.5	8	SL-A01815D1	12
Red	Red Diffused	GaAsP/GaP	635	70	2.0	2.8	20	2.5	8	SL-A01818D1	12

Bare LEDs (Con't.)



Emitted Color	Lens Type	Raw Material	Wave length	View Angle (Deg.)	Vf (V) Typ.	Vf (V) Max.	If (mA)	Iv (mcd) Min.	Iv (mcd) Typ.	Part Numbers	Fig. No.
Red	Red Diffused	GaAsP/GaP	635	70	2.0	2.8	20	2.5	10	SL-A02015D1	1
Red	Red Diffused	GaP	700	60	2.1	2.8	10	0.8	5	SL-A03015D1-LP	2
Red	Red Diffused	GaP	700	60	2.1	2.8	10	0.8	5	SL-A03015D1	3
Red	Red Diffused	GaP	700	60	5	7	10	---	5	SL-A05015D2	4
Red	Red Diffused	GaP	700	150	2.1	2.8	10	0.8	1.5	SL-D05515D1	5
Yellow	Clear	GaAsP/GaP	585	40	2.1	2.8	20	10	30	SL-A08017D1	6
Yellow	Yellow Diffused	GaAlnP	595	60	2.1	2.4	20	40	80	SL-A05017D1	4
Yellow	Yellow Diffused	GaAsP/GaP	585	60	---	2.1	2	1	5	SL-A05017D1-LC	4
Yellow	Yellow Diffused	GaAsP/GaP	585	60	2.1	2.8	20	2.5	12.5	SL-A03017D1-LP	2
Yellow	Yellow Diffused	GaAsP/GaP	585	60	2.1	2.8	20	2.5	12.5	SL-A03017D1	3
Yellow	Yellow Diffused	GaAsP/GaP	585	60	2.1	2.8	20	5	15	SL-A10017D1	7
Yellow	Yellow Diffused	GaAsP/GaP	585	70	2.1	2.8	20	1.5	6	SL-A01817D1	8
Yellow	Yellow Diffused	GaAsP/GaP	585	100	2.1	2.8	20	3	13	SL-G25517D1	9
Yellow	Yellow Diffused	GaAsP/GaP	585	120	2.1	2.8	20	2	8	SL-C25517D1	10
Yellow	Yellow Diffused	GaAsP/GaP	585	130	2.1	2.8	20	2	10	SL-C23717D1	11
Yellow	Yellow Diffused	GaAsP/GaP	585	150	2.1	2.8	20	2	10	SL-D05517D1	5
Yellow	Yellow Transparent	GaAsP/GaP	585	30	2.1	2.8	20	20	40	SL-A03013T1	3
Yellow	Yellow Transparent	GaAsP/GaP	585	30	2.1	2.8	20	20	40	SL-A03017T1	3
Yellow	Yellow Transparent	GaAsP/GaP	585	30	2.1	2.8	20	20	50	SL-A05017T1	4

Accessories - Mounting Clips

Description	Part Numbers	Fig. No.
Mounting Clips for 3mm LED	SL-A030-MC	12
Mounting Clips for 5mm LED	SL-A050-MC	12



"No man will make a great leader who wants to do it all himself, or to get all the credit for doing it."

—Andrew Carnegie

Numbering System for Indicator Lights

Series/Mounting	Lens Type	Terminations	Lens Color	Lamp Voltage	Packaging
SL16 Series .155"	1 - Flush 4 - Raised 8 - Hooded 9 - Dome	1 - 6" Wire Leads 2 - .250" Q.C.	1 - White 2 - Blue 3 - Green 4 - Clear 5 - Red 6 - Amber 7 - Yellow	1 - 6V Solid State LED 2 - 12V Solid State LED 3 - 28V Solid State LED 4 - 14V Incandescent 5 - 28V Incandescent 6 - 125V Neon 7 - 250V Neon 8 - 480V Neon 9 - 120V Solid State LED	BG - Bagged BK - Bulk SB - Small Bag

Series/Mounting	Lens Type	Terminations	Lens Color	Lamp Voltage	Packaging
SL24 Series .250"	1 - Flush 4 - Raised 8 - Hooded 9 - Dome	1 - 6" Wire Leads 2 - .250" Q.C.	1 - White 2 - Blue 3 - Green 4 - Clear 5 - Red 6 - Amber 7 - Yellow	1 - 6V Solid State LED 2 - 12V Solid State LED 3 - 28V Solid State LED 4 - 14V Incandescent 5 - 28V Incandescent 6 - 125V Neon 7 - 250V Neon 8 - 480V Neon 9 - 120V Solid State LED	BG - Bagged BK - Bulk SB - Small Bag

Series/Mounting	Lens Type	Terminations	Bezel Color	Lens Color	Lamp Voltage	Packaging
SL25 Series .375" x 1.28"	1 - Diamond Transparent 8 - Frosted Translucent	1 - 6" Wire Leads 2 - .250" Q.C.	1 - Chrome 2 - White 3 - Black	11 - White* 12 - Blue 13 - Green 14 - Clear 15 - Red 16 - Amber	4 - 14V Incandescent 5 - 28V Incandescent 6 - 125V Neon 7 - 250V Neon 8 - 480V Neon**	BG - Bagged BK - Bulk SB - Small Bag

Series/Mounting	Lens Type	Terminations	Bezel Color	Lens Color	Lamp Voltage	Packaging
SL28 Series .830" x 1.430"	7 - Transparent 8 - Frosted Translucent	1 - 6" Wire Leads 2 - .250" Q.C.	2 - White 3 - Black	11 - White* 12 - Blue 13 - Green 14 - Clear 15 - Red 16 - Amber	4 - 14V Incandescent 5 - 28V Incandescent 6 - 125V Neon 7 - 250V Neon 8 - 480V Neon**	BG - Bagged BK - Bulk SB - Small Bag

Series/Mounting	Lens Type	Terminations	Lens Color	Lamp Voltage	Packaging
SL31 Series .315"	1 - Flush 4 - Raised 8 - Hooded 9 - Dome	1 - 6" Wire Leads 2 - .250" Q.C.	1 - White 2 - Blue 3 - Green 4 - Clear 5 - Red 6 - Amber 7 - Yellow	1 - 6V Solid State LED 2 - 12V Solid State LED 3 - 28V Solid State LED 4 - 14V Incandescent 5 - 28V Incandescent 6 - 125V Neon 7 - 250V Neon 8 - 480V Neon 9 - 120V Solid State LED	BG - Bagged BK - Bulk SB - Small Bag

Series/Mounting	Lens Type	Terminations	Lens Color	Lamp Voltage	Packaging
SL32 Series .312"	1 - Flush 4 - Raised 8 - Hooded 9 - Dome	1 - 6" Wire Leads 2 - .250" Q.C.	1 - White 2 - Blue 3 - Green 4 - Clear 5 - Red 6 - Amber 7 - Yellow	1 - 6V Solid State LED 2 - 12V Solid State LED 3 - 28V Solid State LED 4 - 14V Incandescent 5 - 28V Incandescent 6 - 125V Neon 7 - 250V Neon 8 - 480V Neon 9 - 120V Solid State LED	BG - Bagged BK - Bulk SB - Small Bag

NOTE: Not all combinations are Standard Stock items. Please contact Selecta Switch, Inc. for more information.



Numbering System for Indicator Lights

Series/Mounting	Lens Type	Terminations	Lens Color	Lamp Voltage	Packaging
SL53 Series .50"	2 - Flush 4 - Raised 6 - Hooded 8 - Dome	1 - 6" Wire Leads 2 - .187" Q.C. 3 - .250" Q.C.	1 - White 2 - Blue 3 - Green 4 - Clear 5 - Red 6 - Amber	1 - 6V Solid State LED 2 - 12V Solid State LED 3 - 28V Solid State LED 4 - 14V Incandescent 5 - 28V Incandescent 6 - 125V Neon 7 - 250V Neon 8 - 480V Neon 9 - 120V Solid State LED	BG - Bagged BK - Bulk SB - Small Bag

Series/Mounting	Lens Type	Terminations	Lens Color	Lamp Voltage	Packaging
SL54 Series .50"	1 - Flush 4 - Raised 8 - Hooded 9 - Dome	1 - 6" Wire Leads 2 - .187" Q.C. 3 - .250" Q.C.	1 - White 2 - Blue 3 - Green 4 - Clear 5 - Red 6 - Amber 7 - Yellow	1 - 6V Solid State LED 2 - 12V Solid State LED 3 - 28V Solid State LED 4 - 14V Incandescent 5 - 28V Incandescent 6 - 125V Neon 7 - 250V Neon 8 - 480V Neon 9 - 120V Solid State LED	BG - Bagged BK - Bulk SB - Small Bag

Series/Mounting	Lens Type	Terminations	Lens Color	Lamp Voltage	Packaging
SL55 Series .50"	1 - Flush 4 - Raised 8 - Hooded 9 - Dome	1 - 6" Wire Leads 2 - .187" Q.C. 3 - .250" Q.C.	1 - White 2 - Blue 3 - Green 4 - Clear 5 - Red 6 - Amber 7 - Yellow	1 - 6V Solid State LED 2 - 12V Solid State LED 3 - 28V Solid State LED 4 - 14V Incandescent 5 - 28V Incandescent 6 - 125V Neon 7 - 250V Neon 8 - 480V Neon 9 - 120V Solid State LED	BG - Bagged BK - Bulk SB - Small Bag

Series/Mounting	Lens Type	Terminations	Lens Color	Lamp Voltage	Packaging
SL68 Series 11/16"	1 - Flush 4 - Raised 8 - Hooded 9 - Dome	1 - 6" Wire Leads 2 - .187" Q.C. 3 - .250" Q.C.	1 - White 2 - Blue 3 - Green 4 - Clear 5 - Red 6 - Amber 7 - Yellow	4 - 14V Incandescent 5 - 28V Incandescent 6 - 125V Neon 7 - 250V Neon 8 - 480V Neon	BG - Bagged BK - Bulk SB - Small Bag

Series/Mounting	Lens Type	Terminations	Lens Color	Lamp Voltage	Packaging
SL87 Series 11/16"	1 - Flush 4 - Raised 8 - Hooded 9 - Dome	1 - 6" Wire Leads 2 - .187" Q.C. 3 - .250" Q.C.	1 - White 2 - Blue 3 - Green 4 - Clear 5 - Red 6 - Amber 7 - Yellow	4 - 14V Incandescent 5 - 28V Incandescent 6 - 125V Neon 7 - 250V Neon 8 - 480V Neon	BG - Bagged BK - Bulk SB - Small Bag

SL Series	A Shape	030 Size	13 LED Color Output	D Lens Type	1 Light Type	LP Special Features	SB
SL Series	A - Round	018 - 1.8mm	11 - White	C - Clear	1 - Continuous	LP - Low Profile Only Avail. with 3mm LEDs LC - Low Current Only Avail. with 5mm LEDs	Avail. only in Small Bags -SB Suffix
LED	B - Triangular	020 - 2mm	12 - Blue	D - Diffused	2 - Blinking		
	C - Rectangular	025 - 2 x 5mm	13 - Green	T - Transparent			
	D - Square	030 - 3mm	15 - Red				
	E - Angled	050 - 5mm	16 - Amber				
	F - Axial Leads	055 - 5 x 5mm	17 - Yellow				
	G - Rectangular	065 - 5.6 x 4.9mm	18 - Orange				
	Tombstone	080 - 8mm	19 - Red/Green				
		100 - 10mm					
		255 - 2.5 x 5mm					
		510 - 5 x 10mm					
		516 - 5 x 16mm					

NOTE: Not all combinations are Standard Stock items. Please contact Selecta Switch, Inc. for more information.

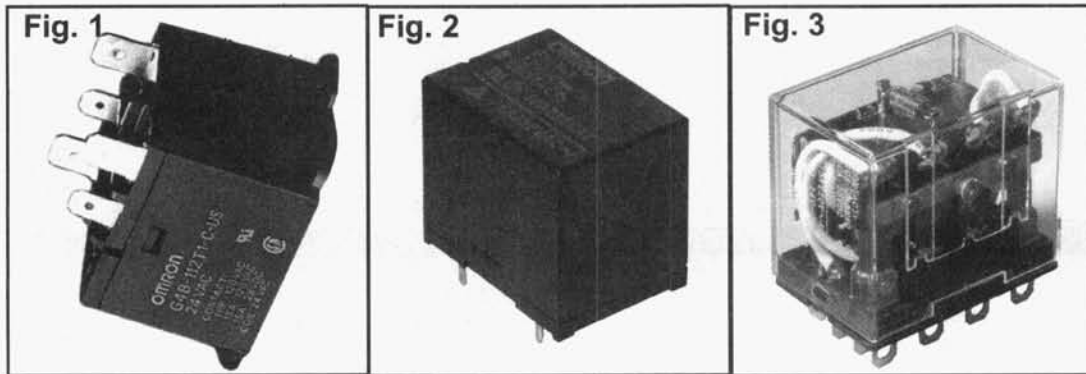
RELAYS

Featuring: **OMRON**



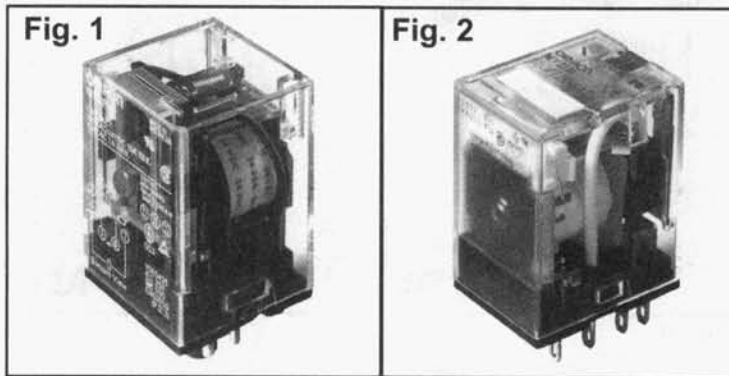
GENERAL PURPOSE

GENERAL PURPOSE



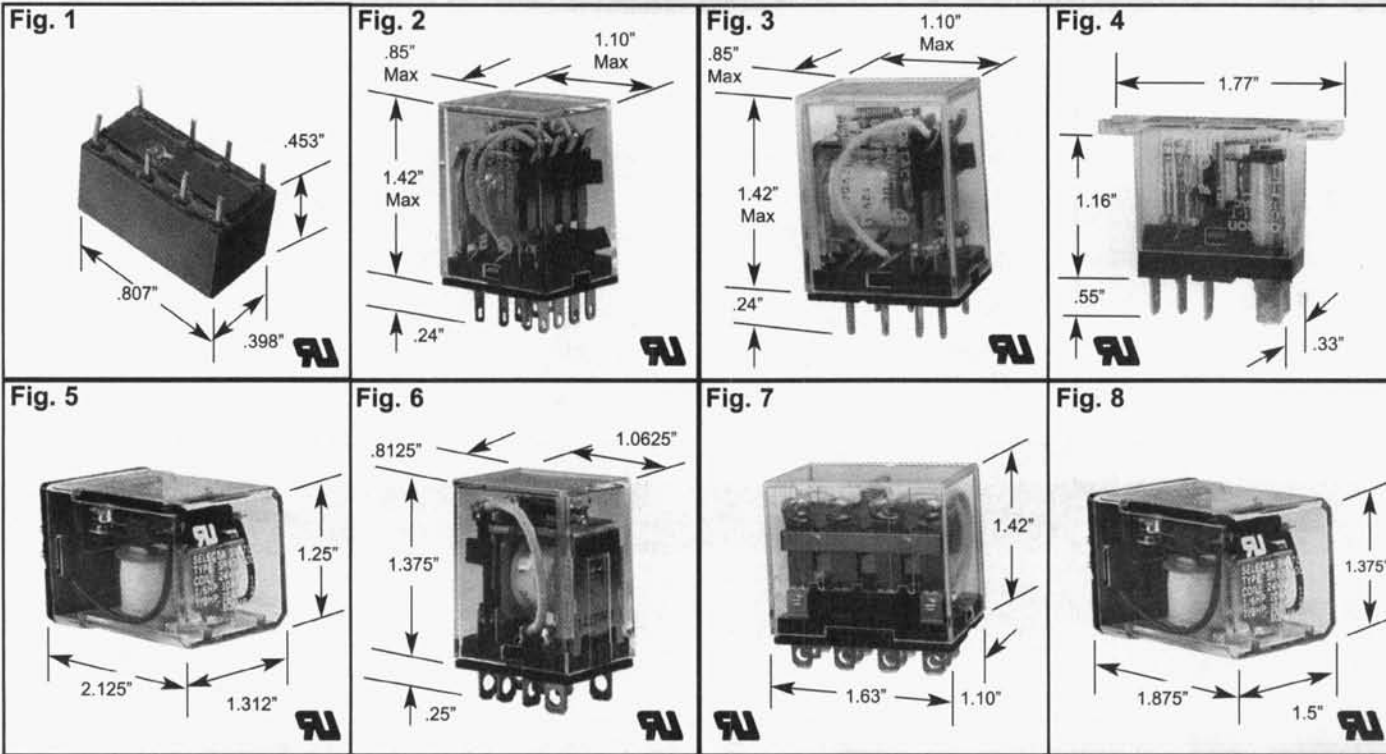
Contact Rating	Poles & Throws	Coil Volts	Terminal Type	Mounting Method	Avail. Socket	Features	Ind. Lamp	Push Button	Pin No.	Part No	Fig. No.
10A	SPST-NO	24 VAC	PLUG-IN/QC	QC/Flange	---	NO	NO	4	G2R-1A-T-AC24	2	
10A	SPST-NO	120 VAC	PLUG-IN/QC	QC/Flange	---	NO	NO	4	G2R-1A-T-AC120	2	
10A	SPDT	24 VAC	PLUG-IN/QC	Socket	P2RF-05-E	NO	NO	5	G2R-1-S-AC24	2	
10A	SPDT	120 VAC	PLUG-IN/QC	Socket	P2RF-05-E	NO	NO	5	G2R-1-S-AC120	2	
10A	SPDT	24 VAC	PLUG-IN/QC	QC/Flange	---	NO	NO	5	G2R-1-T-AC24	2	
10A	SPDT	120 VAC	PLUG-IN/QC	QC/Flange	---	NO	NO	5	G2R-1-T-AC120	2	
5A	DPDT	24 VAC	PLUG-IN/QC	Socket	P2RF-08-E	NO	NO	9	G2R-2-S-AC24	2	
5A	DPDT	120 VAC	PLUG-IN/QC	Socket	P2RF-08-E	NO	NO	9	G2R-2-S-AC120	2	
25A	SPDT	24 VAC	.250-QC	Flange	"5, Spade"	NO	NO	---	G4B-112T1-FDC-US-RP-AC24	1	
25A	SPDT	120 VAC	.250-QC	Flange	"5, Spade"	NO	NO	---	G4B-112T1-FDC-US-RP-AC120	1	
25A	SPST-NO	24 VAC	.250-QC	Flange	"4, Spade"	NO	NO	---	G4B-112T1-FD-US-RP-AC24	1	
25A	SPST-NO	120 VAC	.250-QC	Flange	"4, Spade"	NO	NO	---	G4B-112T1-FD-US-RP-AC120	1	
10A	SPDT	12 VDC	PC Board	---	---	NO	NO	5	G5LE-114P-PS-DC12	1	
10A	SPDT	24 VDC	PC Board	---	---	NO	NO	5	G5LE-114P-PS-DC24	1	
25 NO/8 NC	DPST-NO/DPST-NC	100/120 VAC	"10, Screw"	Flange	E-Bracket req. #R9904	NO	YES	---	G7J-2A2B-B-AC100/120	2	
25 NO/8 NC	DPST-NO/DPST-NC	200/240 VAC	"10, Screw"	Flange	E-Bracket req. #R9904	NO	YES	---	G7J-2A2B-B-AC200/240	2	
25 NO/8 NC	DPST-NO/DPST-NC	24 VDC	"10, Screw"	Flange	E-Bracket req. #R9904	NO	YES	---	G7J-2A2B-B-DC24	2	
25 NO/8 NC	3PST-NO/SPST-NC	100/120 VAC	"10, Screw"	Flange	E-Bracket req. #R9904	NO	YES	---	G7J-3A1B-B-AC100/120	2	
25 NO/8 NC	3PST-NO/SPST-NC	200/240 VAC	"10, Screw"	Flange	E-Bracket req. #R9904	NO	YES	---	G7J-3A1B-B-AC200/240	2	
25 NO/8 NC	3PST-NO/SPST-NC	24 VDC	"10, Screw"	Flange	E-Bracket req. #R9904	NO	YES	---	G7J-3A1B-B-DC24	2	
25A	4PST-NO	100/120 VAC	"10, Screw"	Flange	E-Bracket req. #R9904	NO	YES	---	G7J-4A-B-AC100/120	2	
25A	4PST-NO	200/240 VAC	"10, Screw"	Flange	E-Bracket req. #R9904	NO	YES	---	G7J-4A-B-AC200/240	2	
25A	4PST-NO	24 VDC	"10, Screw"	Flange	E-Bracket req. #R9904	NO	YES	---	G7J-4A-B-DC24	2	
30A	SPST-NO	24 VAC	"4, Screw"	Flange	---	NO	NO	---	G7L-1A-BUB-J-CB-AC24	2	
30A	SPST-NO	120 VAC	"4, Screw"	Flange	---	NO	NO	---	G7L-1A-BUB-J-CB-AC100/120	2	
30A	SPST-NO	24 VAC	"4, Spade"	Flange	---	NO	NO	---	G7L-1A-TUB-J-CB-AC24	2	
30A	SPST-NO	120 VAC	"4, Spade"	Flange	---	NO	NO	---	G7L-1A-TUB-J-CB-AC100/120	2	
25A	DPST-NO	24 VAC	"6, Screw"	Flange	---	NO	NO	---	G7L-2A-BUB-J-CB-AC24	2	
25A	DPST-NO	120 VAC	"6, Screw"	Flange	---	NO	NO	---	G7L-2A-BUB-J-CB-AC100/120	2	
25A	DPST-NO	24 VAC	"6, Spade"	Flange	---	NO	NO	---	G7L-2A-TUB-J-CB-AC24	1	
25A	DPST-NO	120 VAC	"6, Spade"	Flange	---	NO	NO	---	G7L-2A-TUB-J-CB-AC100/120	2	
15A	SPDT	24 VAC	8-PIN PLUG-IN SOLDER	Socket	PTF08A-E	NO	NO	8	LY1-AC24	3	
15A	SPDT	120 VAC	8-PIN PLUG-IN SOLDER	Socket	PTF08A-E	NO	NO	8	LY1-AC100/120	3	
15A	SPDT	24 VDC	8-PIN PLUG-IN SOLDER	Socket	PTF08A-E	NO	NO	8	LY1-DC24	3	
10A	DPDT	12 VAC	8-PIN PLUG-IN SOLDER	Socket	PTF08A-E	NO	NO	8	LY2-AC12	3	
10A	DPDT	24 VAC	8-PIN PLUG-IN SOLDER	Socket	PTF08A-E	NO	NO	8	LY2-AC24	3	
10A	DPDT	120 VAC	8-PIN PLUG-IN SOLDER	Socket	PTF08A-E	NO	NO	8	LY2-AC110/120	3	
10A	DPDT	240 VAC	8-PIN PLUG-IN SOLDER	Socket	PTF08A-E	NO	NO	8	LY2-AC200/240	3	
10A	DPDT	12 VDC	8-PIN PLUG-IN SOLDER	Socket	PTF08A-E	NO	NO	8	LY2-DC12	3	
10A	DPDT	24 VDC	8-PIN PLUG-IN SOLDER	Socket	PTF08A-E	NO	NO	8	LY2-DC24	3	
10A	DPDT	24 VAC	8-PIN PLUG-IN SOLDER	Flange	---	NO	NO	8	LY2F-AC24	3	
10A	DPDT	120 VAC	8-PIN PLUG-IN SOLDER	Flange	---	NO	NO	8	LY2F-AC100/120	3	
10A	DPDT	24 VAC	8-PIN PLUG-IN SOLDER	Socket	PTF08A-E	YES-LED	NO	8	LY2N-AC24	3	
10A	DPDT	110/120 VAC	8-PIN PLUG-IN SOLDER	Socket	PTF08A-E	YES-LED	NO	8	LY2N-AC100/120	3	
10A	DPDT	220/240 VAC	8-PIN PLUG-IN SOLDER	Socket	PTF08A-E	YES-LED	NO	8	LY2N-AC220/240	3	
10A	3PDT	24 VAC	11-PIN PLUG-IN SOLDER	Socket	PTF11A	NO	NO	11	LY3-AC24	3	

General Purpose



Contact Rating	Poles & Throws	Coil Volts	Terminal Type	Mounting Method	Avail. Socket	Features		Pin No.	Part No	Fig. No.
						Ind. Lamp	Push Button			
10A	3PDT	120 VAC	11-PIN PLUG-IN SOLDER	Socket	PTF11A	NO	NO	11	LY3-AC120	--
10A	3PDT	240 VAC	11-PIN PLUG-IN SOLDER	Socket	PTF11A	NO	NO	11	LY3-AC240	--
10A	3PDT	12 VDC	11-PIN PLUG-IN SOLDER	Socket	PTF11A	NO	NO	11	LY3-DC12	--
10A	3PDT	24 VDC	11-PIN PLUG-IN SOLDER	Socket	PTF11A	NO	NO	11	LY3-DC24	--
10A	4PDT	12 VAC	14-PIN PLUG-IN SOLDER	Socket	PTF14-E	NO	NO	14	LY4-AC12	--
10A	4PDT	24 VAC	14-PIN PLUG-IN SOLDER	Socket	PTF14-E	NO	NO	14	LY4-AC24	--
10A	4PDT	120 VAC	14-PIN PLUG-IN SOLDER	Socket	PTF14-E	NO	NO	14	LY4-AC120	--
10A	4PDT	12 VDC	14-PIN PLUG-IN SOLDER	Socket	PTF14-E	NO	NO	14	LY4-DC12	--
10A	4PDT	24 VDC	14-PIN PLUG-IN SOLDER	Socket	PTF14-E	NO	NO	14	LY4-DC24	--
10A	4PDT	24 VAC	14-PIN PLUG-IN SOLDER	Socket	PTF14-E	NO	NO	14	LY4N-AC24	--
10A	4PDT	120 VAC	14-PIN PLUG-IN SOLDER	Socket	PTF14-E	NO	NO	14	LY4N-AC120	--
5A	DPDT	24 VAC	11-PIN-OCTAL	Socket	PF083A-E	NO	YES	11	MK2KP-AC24	2
5A	DPDT	120 VAC	11-PIN-OCTAL	Socket	PF083A-E	NO	YES	11	MK2KP-AC120	2
10A	DPDT	24 VAC	8-PIN-OCTAL	Socket	PTF083A-E	NO	YES	8	MK2PN-S-AC24	2
10A	DPDT	120 VAC	8-PIN-OCTAL	Socket	PTF083A-E	YES-LED	YES	8	MK2PN-S-AC120	2
10A	DPDT	12 VAC	8-PIN-OCTAL	Socket	PTF083A-E	NO	YES	8	MK2P-S-AC12	2
10A	DPDT	24 VAC	8-PIN-OCTAL	Socket	PTF083A-E	NO	YES	8	MK2P-S-AC24	2
10A	DPDT	120 VAC	8-PIN-OCTAL	Socket	PTF083A-E	YES-LED	YES	8	MK2P-S-AC120	2
10A	DPDT	240 VAC	8-PIN-OCTAL	Socket	PTF083A-E	NO	YES	8	MK2P-S-AC240	2
10NO/5NC	3PDT	24 VAC	11-PIN-OCTAL	Socket	PF113A-E	NO	YES	11	MK3P5-S-AC24	2
10NO/5NC	3PDT	120 VAC	11-PIN-OCTAL	Socket	PF113A-E	NO	YES	11	MK3P5-S-AC120	2
10NO/5NC	3PDT	240 VAC	11-PIN-OCTAL	Socket	PF113A-E	NO	YES	11	MK3P5-S-AC240	2
3A	4PDT	12 VAC	14-PIN PLUG-IN SOLDER	Socket	PYF14A-E	NO	NO	14	MY4-AC12	1
3A	4PDT	24 VAC	14-PIN PLUG-IN SOLDER	Socket	PYF14A-E	NO	NO	14	MY4-AC24	1
3A	4PDT	120 VAC	14-PIN PLUG-IN SOLDER	Socket	PYF14A-E	NO	NO	14	MY4-AC110/120	1
3A	4PDT	12 VDC	14-PIN PLUG-IN SOLDER	Socket	PYF14A-E	NO	NO	14	MY4-DC12	1
3A	4PDT	24 VDC	14-PIN PLUG-IN SOLDER	Socket	PYF14A-E	NO	NO	14	MY4-DC24	1
3A	4PDT	24 VAC	14-PIN PLUG-IN SOLDER	Socket	PYF14A-E	YES-LED	NO	14	MY4N-AC24	1
3A	4PDT	120 VAC	14-PIN PLUG-IN SOLDER	Socket	PYF14A-E	NO	NO	14	MY4N-AC110/120	1
3A	4PDT	24 VDC	14-PIN PLUG-IN SOLDER	Socket	PYF14A-E	YES-LED	NO	14	MY4N-DC24	1

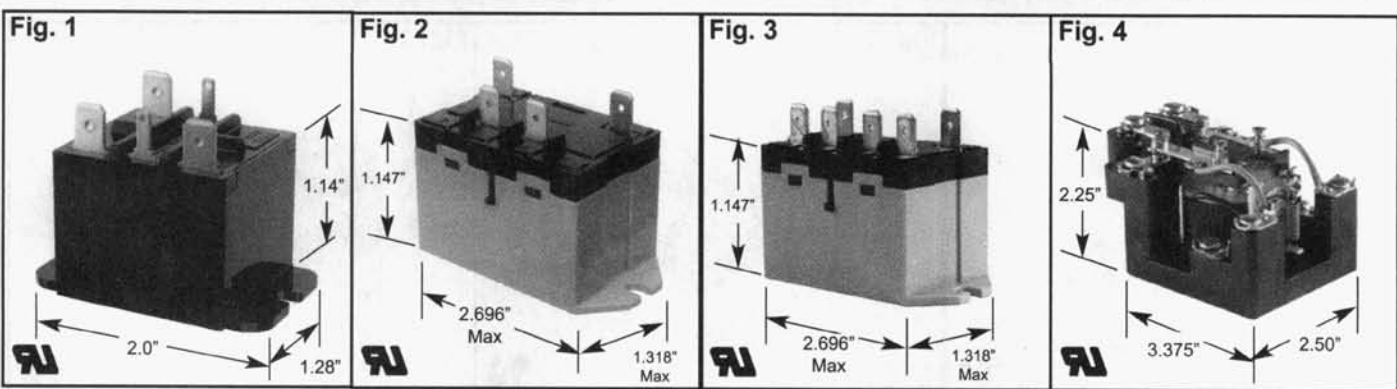
General Purpose



Contact Rating	Poles & Throws	Coil Volts	Terminal Type	Mounting Method	Avail. Socket	Indicator Light	Pin Number	Part Number	Fig. No.
3 A	DPDT	5 DC	PCB	---	---	No	8	SR15P207D1	1
3 A	4PDT	24 DC	Plug-in	Socket	SR6914A	No	14	SR69S400D4	2
3 A	4PDT	110/120AC	Plug-in	Socket	SR6914A	No	14	SR69S400A7	2
5 A	DPDT	12 DC	Plug-in	Socket	SR6908A	No	8	SR69S200D3	3
5 A	DPDT	24 DC	Plug-in	Socket	SR6908A	No	8	SR69S200D4	3
5 A	4PDT	12 DC	Plug-in	Socket	SR6914A	No	14	SR69S400D3	3
10 A	SPDT	120 AC	.250" QC	Flange	---	No	5	SR61F1-A120	4
10 A	DPDT	12 AC	Octal	Socket	SR67083A	No	8	SR67S200A3	5
10 A	DPDT	12 DC	Plug-in	Socket	SR7008A	No	8	SR70S200D3	6
10 A	DPDT	12 DC	Octal	Socket	SR67083A	No	8	SR67S200D3	6
10 A	DPDT	12 DC	Octal	Socket	SR67083A	Yes	8	SR67S215D3	5
10 A	DPDT	24 AC	Plug-in	Socket	SR7008A	No	8	SR70S200A4	6
10 A	DPDT	24 AC	Octal	Socket	SR67083A	No	8	SR67S200A4	5
10 A	DPDT	24 AC	Octal	Socket	SR67083A	Yes	8	SR67S215A4	5
10 A	DPDT	24 DC	Plug-in	Socket	SR7008A	No	8	SR70S200D4	6
10 A	DPDT	24 DC	Octal	Socket	SR67083A	No	8	SR67S200D4	5
10 A	DPDT	24 DC	Octal	Socket	SR67083A	Yes	8	SR67S215D4	5
10 A	DPDT	120 AC	Plug-in	Socket	SR7008A	No	8	SR70S200A7	6
10 A	DPDT	120 AC	Octal	Socket	SR67083A	No	8	SR67S200A7	5
10 A	DPDT	120 AC	Octal	Socket	SR67083A	Yes	8	SR67S215A7	5
10 A	DPDT	240 AC	Plug-in	Socket	SR7008A	No	8	SR70S200A9	6
10 A	DPDT	240 AC	Octal	Socket	SR67083A	No	8	SR67S200A9	5
10 A	3PDT	24 AC	Octal	Socket	SR67113A	No	11	SR67S300A4	5
10 A	3PDT	24 AC	Octal	Socket	SR67113A	Yes	11	SR67S315A4	5
10 A	3PDT	24 DC	Octal	Socket	SR67113A	Yes	11	SR67S315D4	5
10 A	3PDT	120 AC	Octal	Socket	SR67113A	No	11	SR67S300A7	5
10 A	3PDT	120 AC	Octal	Socket	SR67113A	Yes	11	SR67S315A7	5
10 A	4PDT	120 AC	Plug-in	Socket	SR7014A	No	14	SR70S400A7	7
13 A	DPDT	24 AC	Plug-in	Socket	SR6811N	No	8	SR68S200A4	8
13 A	DPDT	120 AC	Plug-in	Socket	SR6811N	No	8	SR68S200A7	8
13 A	3PDT	24 AC	Plug-in	Socket	SR6811N	No	11	SR68S300A4	8
13 A	3PDT	120 AC	Plug-in	Socket	SR6811N	No	11	SR68S300A7	8
13 A	3PDT	120 AC	Plug-in	Socket	SR6811N	Yes	11	SR68S315A7	8
13 A	3PDT	240 AC	Plug-in	Socket	SR6811N	No	11	SR68S300A9	8

NOTE: Contact factory for mounting hole dimensions.

General Purpose (Con't.)



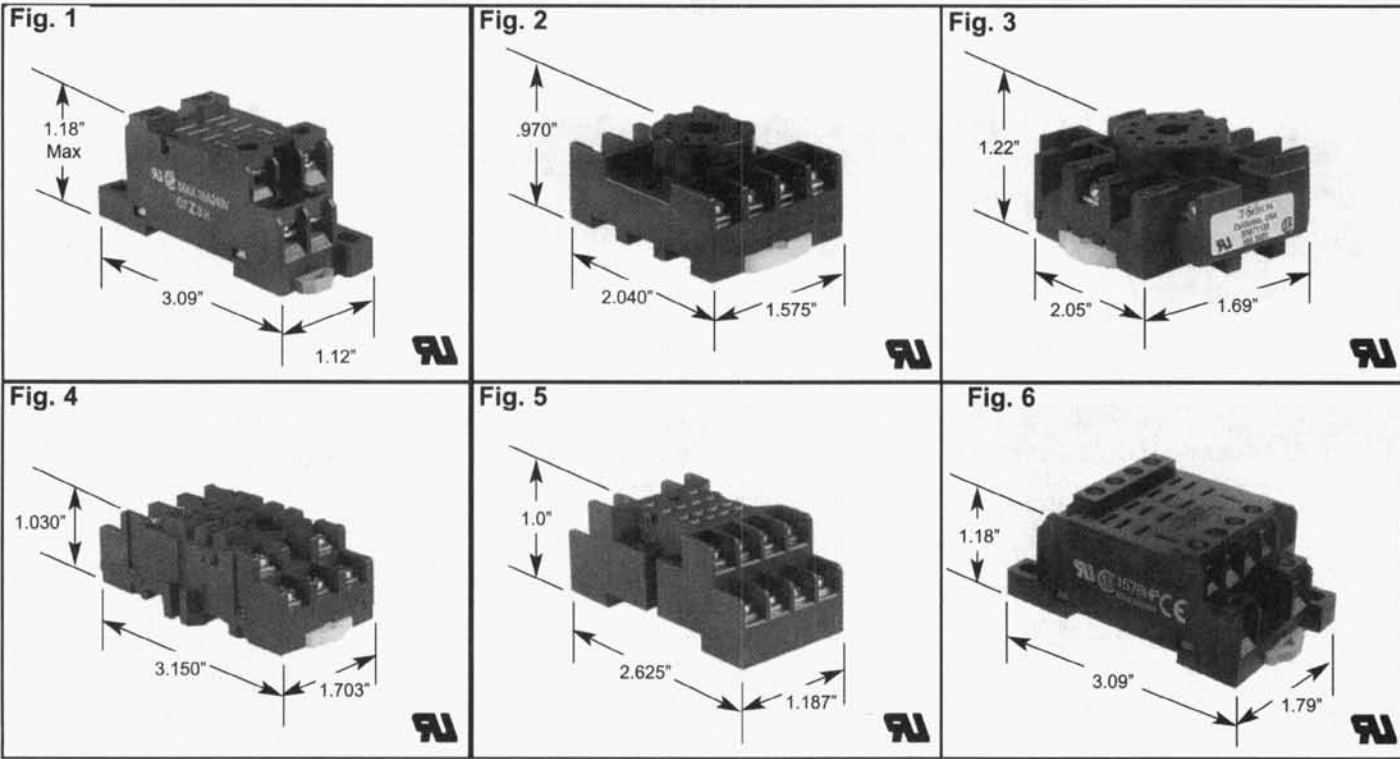
Contact Rating	Poles & Throws	Coil Volts	Terminal Type	Mounting Method	Avail. Socket	Indicator Light	Pin Number	Part Number	Fig. No.
15 A	SPDT	12 DC	.250" QC	Flange	----	No	5	SR63F250D3	1
15 A	SPDT	120 AC	.250" QC	Flange	----	No	5	SR63F250A7	1
30 A	SPST	12 DC	.250" QC	Flange	----	No	4	SR65F500D3	2
30 A	DPST-N.O.	100/120 AC	.250" QC	Flange	----	No	6	SR65F700A7	3
30 A	DPST	12 DC	.250" QC	Flange	----	No	6	SR65F700D3	3
30 A	DPST	240 AC	.250" QC	Flange	----	No	6	SR65F700A9	3
30 A	DPDT	24 AC	Screw	Flange	----	No	----	SR66F280A4	4
30 A	DPDT	120 AC	Screw	Flange	----	No	----	SR66F280A7	4
30 A	DPDT	240 AC	Screw	Flange	----	No	----	SR66F280A9	4

NOTE: Contact factory for mounting hole dimensions.



*"An idea is like a slippery fish.
When you find one, you'd
better grab hold of it right
then and there because you'll
never find it again."*

— Earl Nightingale



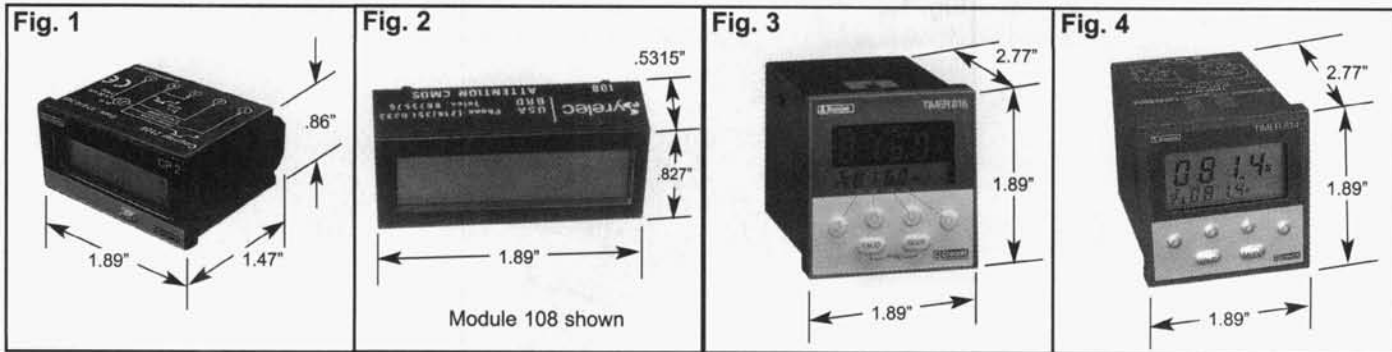
Description	Poles & Throws	Ratings	Terminal Type	Part Number	Fig. No.
8 Pin Midget Socket, DIN Rail Mountable	DPDT	300 V, 10 Amps	Pressure Clamp Screws	SR7008A	1
8 Pin Octal Socket, DIN Rail Mountable	DPDT	300 V, 10 Amps	Pressure Clamp Screws	SR67083A	2
11 Pin Octal Socket, DIN Rail Mountable	3PDT	300 V, 10 Amps	Pressure Clamp Screws	SR67113A	3
11 Pin Square Base Socket, DIN Rail Mountable	3PDT	300 V, 10 Amps	Binder Head Screws	SR6811N	4
14 Pin Miniature Socket, DIN Rail Mountable	4PDT	300 V, 7 Amps	Pressure Clamp Screws	SR6914A	5
14 Pin Miniature Socket, DIN Rail Mountable	4PDT	240 V, 10 Amps	Pressure Clamp Screws	SR7014A	6
8 Pin Miniature Socket, DIN Rail Mountable	DPDT	300 V, 7 Amps	Pressure Clamp Screws	SR6908A	1
DIN rail, 1 Metre Length, Aluminum	--	--	--	SR-100N	--



*"It's better to act too quickly
than it is to wait too long."*

— Jack Welch

Totalizing Counter & Multifunction Timers



Totalizing Counter (2108 Series)

Display	Power Supply	Count Inputs		Voltage Inputs		Termination	Part Number	Fig. No.
		Contact Closure	NPN Open Collector	1 State High Speed 7kHz	0 State High Speed 7 kHz			
8 Digit 7mm LCD	Lithium Battery 8 yr. life	Low Speed 40 Hz	Low Speed 40 Hz	4-30 VDC	0-1 VDC	Screw	87610340	1

Module 108 Totalizing Counter & Elapsed Time Indicator

Low Speed Input & Reset to zero			High Speed Input				Timing		Mounting	Part No.	Fig. No.		
Count Freq.	Min Pulse Hi or Lo	Level 0 Max	Count Freq.	Min Pulse Hi or Lo	Level 0 Min	level 1 Min.	Operates	Units				Max Capacity	Precision
40 Hz	12 ms	.7 V	5kHz	100us	.7 V	2.5 V	Rising	1/100 hr	9.99999 hr.	+50 ppm	Screw Through Panel	108R¹	2
40 Hz	12 ms	.7 V	5kHz	100us	.7 V	2.5 V	Rising	1/100 hr	9.99999 hr	+50 ppm		108ER^{1,2}	2

- 1 Power supply: 3V Battery.
- 2 Speed Input and Reset to Zero: Operates - On Falling Edge

Multifunction Timers (814 & 816 Series)

Contact Rating	Input	Output	Time Range	Mode of Operation	Wiring/Socket	Part Number	Fig. No.
8 A @ 250 VAC	110VAC, 24VAC/VDC	SPDT	.01 sec. - 9999 hrs.	A, B, C, D, DI, H	8 Pin Octal	88857607	3
10 A @ 250 VAC	110/220VAC, 24VAC/DC	SPDT Relay	.01 sec. - 9999 hrs.	A, B, C, D, DI, H	8 Pin Octal	88857005	4

Fig. 1

- WIRING:**
 87 610 340
 1- Reset Input
 2- Front Panel Reset Enable
 3- Low Speed Input
 4- OV
 5- High Speed Input

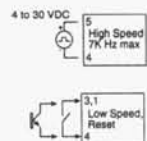
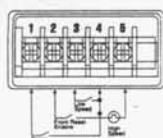


Fig. 2 Dimension:

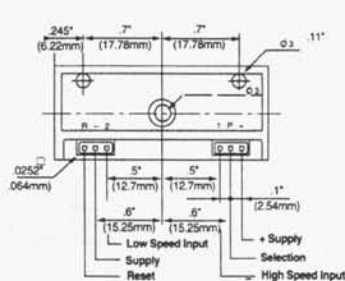
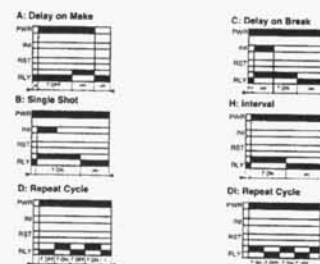
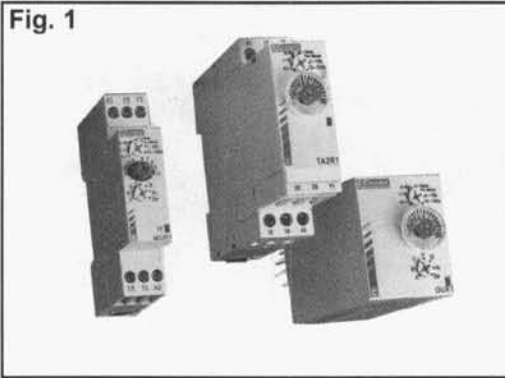


Fig. 3 and Fig. 4

MODE OF OPERATIONS:



Chronos 2 & Guide to Selecting a Range

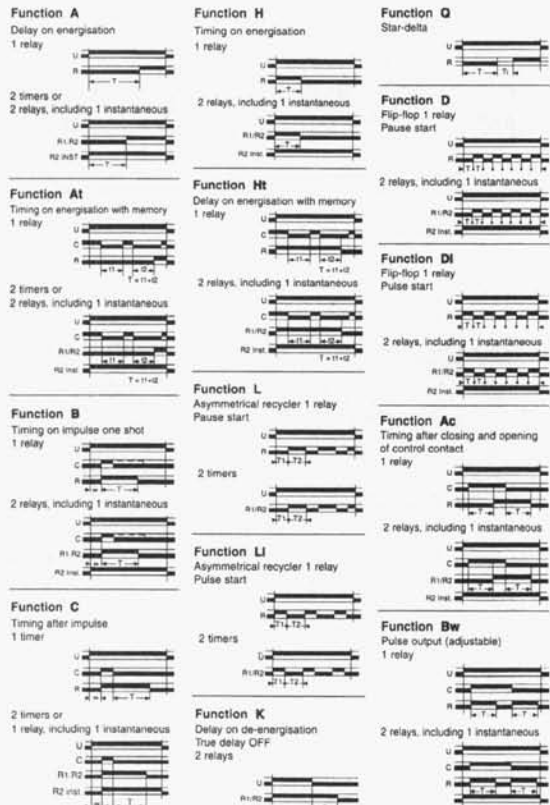


Mode of Operation	Voltage	Output	Type	Connection	Part No.	Fig. No.
Multi-function U	12 VAC/DC	1 relay	MUR4	Screw	88826100	1
Multi-function U	24 VDC/24-240 VAC	1 relay	MUR1	Screw	88826105	1
Mono-function A-At	24 VDC/24-240 VAC	1 relay	MAR1	Screw	88826115	1
Mono-function C	24 VDC/24-240 VAC	1 relay	MCR1	Screw	88826135	1
Multi-function U	12 VAC/DC	1 relay	TUR4	Screw	88865100	1
Multi-function U	24 VDC/24-240 VAC	1 relay	TUR1	Screw	88865105	1
Mono-function A-At	24 VDC/24-240 VAC	1 relay	TAR1	Screw	88865115	1
Mono-function A-At	24 VDC/24-240 VAC	2 relays	TA2R1	Screw	88865215	1
Multi-function U	24 VDC/24-240 VAC	2 relays (1 inst.)	TU2R1	Screw	88865305	1
Multi-function U	12 VAC/DC	1 relay	OUR4	Plug-in	88867100	1
Multi-function U	24 VDC/24-240 VAC	1 relay	OUR1	Plug-in	88867105	1
Mono-function C	24 VDC/24-240 VAC	1 relay	OCR1	Plug-in	88867135	1
Mono-function Li-L	24 VDC/24-240 VAC	1 relay	OLR1	Plug-in	88867155	1
Mono-function A	24 VDC/24-240 VAC	2 relays	OA2R1	Plug-in	88867215	1
Multi-function U	24 VDC/24-240 VAC	2 relays (1 inst.)	PU2R1	Plug-in	88867305	1
Mono-function A-At	24 VDC/24-240 VAC	2 relays	PA2R1	Plug-in	88867415	1

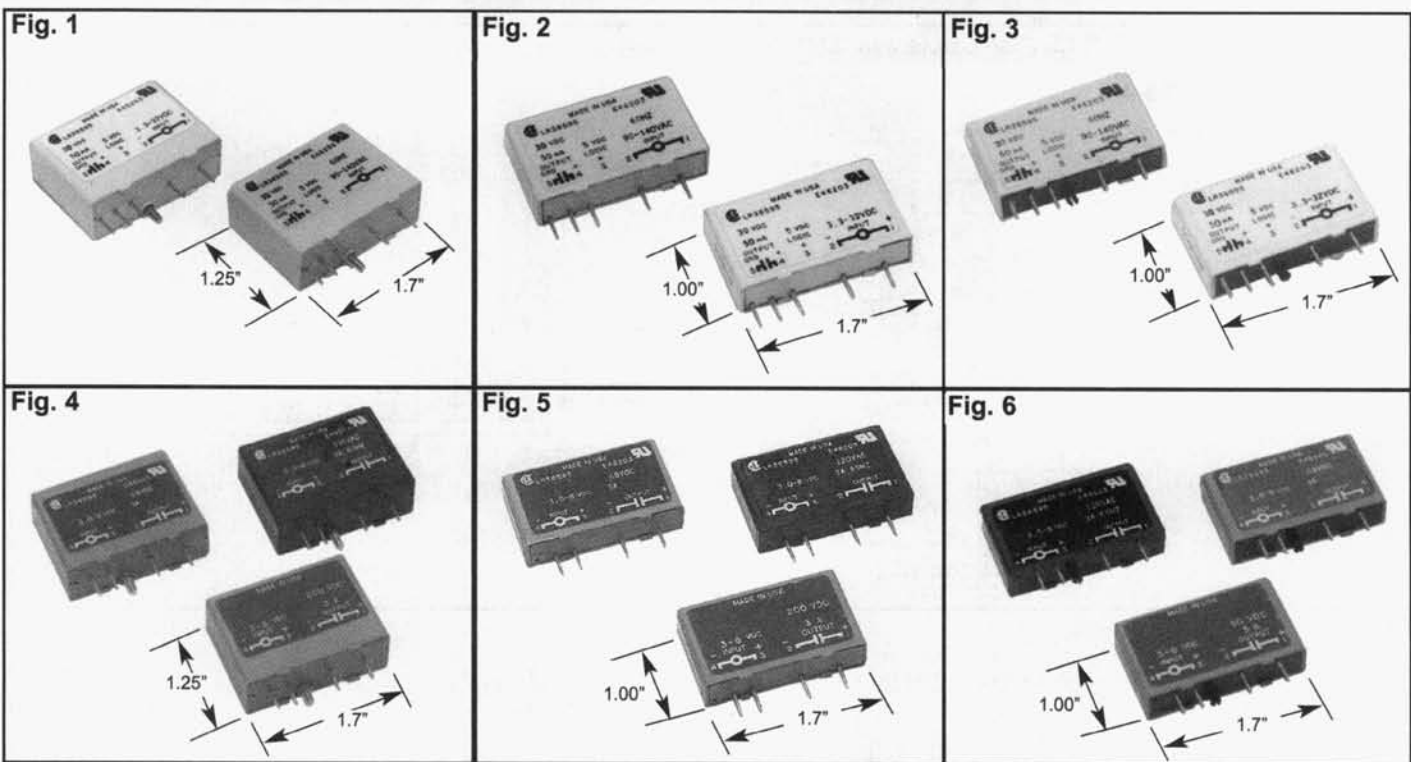
Guide to selecting a range

Timing multi-range 0.1 s to 100 h
1 s - 10s - 1min - 10min - 1h - 10h - 100h

Multi-function U: A-At - B - C - H-Ht - DiD - Ac - Bw
Mono-function: A-At / B / C / H-Ht / Li-L / Q / K



Digital I/O 0.6 Modules/M-Series/SM-Series



Digital Input Modules - 0.6" Modules/M-Series/SM-Series

Input Specifications						Output Specifications										Part No.	Fig. No.
Nominal Input Voltage VAC	Max Voltage VAC	Min Voltage VDC	Max Current (mA)	Drop-out Current (mA)	Allowable Input for No Output (mA)	Nominal Logic Supply (VDC)	Max Logic Supply Voltage (VDC)	Min Logic Supply Voltage (VDC)	Max Logic Supply Current (mA)	Max Voltage (VDC)	Max Current (mA)	Max Leakage Current (uA)	Max Voltage Drop (VDC)				
120	140	90	6	2.0	2.5	5.0	6.0	3.0	16	30	50	10	.2	IAC51			
5-28	32	4	68	1	1.5	5.0	6.0	3.0	16	30	50	10	.2	IDC5F	1		
5-28	32	3.3	34	1.5	2.0	5.0	6.0	3.0	16	30	50	10	.2	IDC51			
120	140	90	5	2.0	2.5	5.0	6.0	3.0	16	30	50	10	.2	M-IAC5	2		
5-28	32	3.3	34	1.0	1.5	5.0	6.0	3.0	16	30	50	10	.2	M-IC5	2		
120	140	90	5	2.0	2.5	5.0	6.0	3.0	16	30	50	10	.2	SM-IAC5	3		
240	280	180	5	1.5	2.0	5.0	6.0	3.0	16	30	50	10	.2	SM-IAC5A	3		
5-28	32	3.3	34	1.0	1.5	5.0	6.0	3.0	16	30	50	10	.2	SM-IDC5	3		

Digital Output Modules - 0.6" Modules/M-Series/SM-Series

Input Specifications						Output Specifications								Part No.	Fig. No.
Nominal Voltage VDC	Min Voltage VDC	Max Voltage VDC	Drop-out Voltage (mA)	Max Current (mA)	Resist. (Ohms)	Nominal Line Voltage (VAC)	Min Line Voltage (VAC)	Max Line Voltage (VAC)	Min On-state Current (mA)	Max On-state Current (mA)	Max Surge Current Apeak	On-state Voltage Drop			
5	2.75	8	1	20	220	120	12	140	50	3.5	100	1.6	OAC5	4	
5	2.75	8	1	18	250	5-48	3	60	10	3.0	5.0	1.5	ODC5F	4	
5	2.75	8	1	18	250	5-48	3	60	10	3.0	5.0	1.5	ODC5	4	
5	2.75	8	1	18	250	5-48	3	60	10	3.0	5.0	1.5	M-ODC5	5	
5	2.75	8	1	20	220	120	12	140	50	3.5	100	1.6	M-OAC5	5	
5	2.75	8	1	20	220	120	12	140	50	3.5	100	1.6	SM-OAC5	6	
5	2.75	8	1	18	250	5-48	3	60	10	3.0	5.0	1.5	SM-ODC5	6	

Plug-Compatible Logic Boards (PCB)

Fig. 1 FOR 0.6 INCH MODULES (Compatible with "SM" Series Modules)

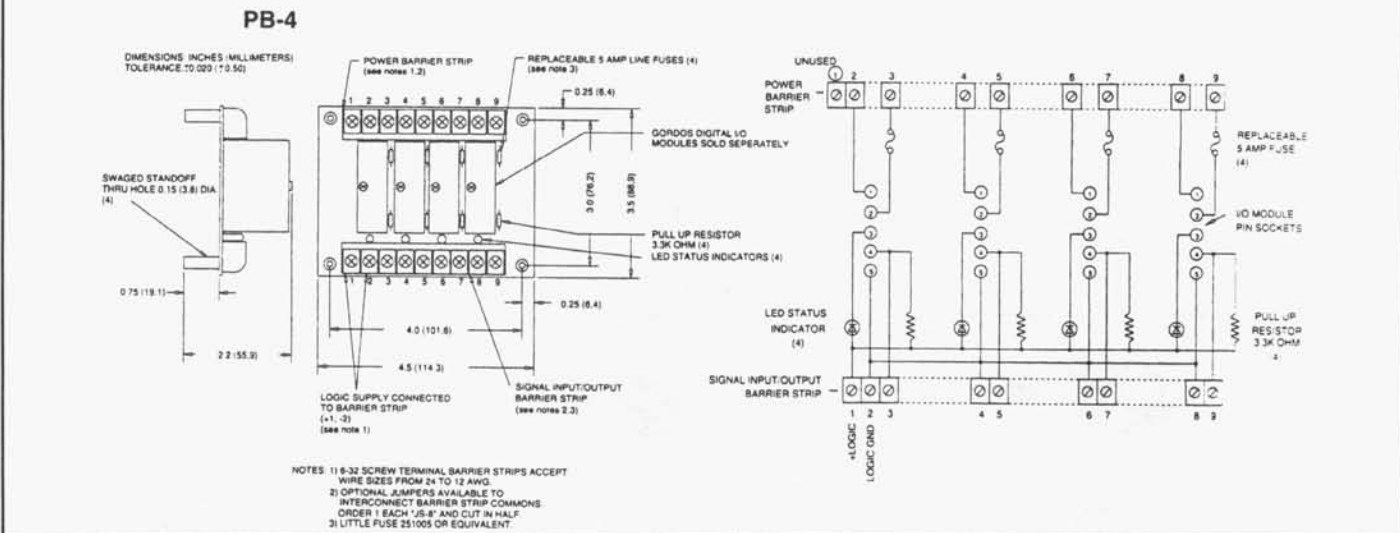
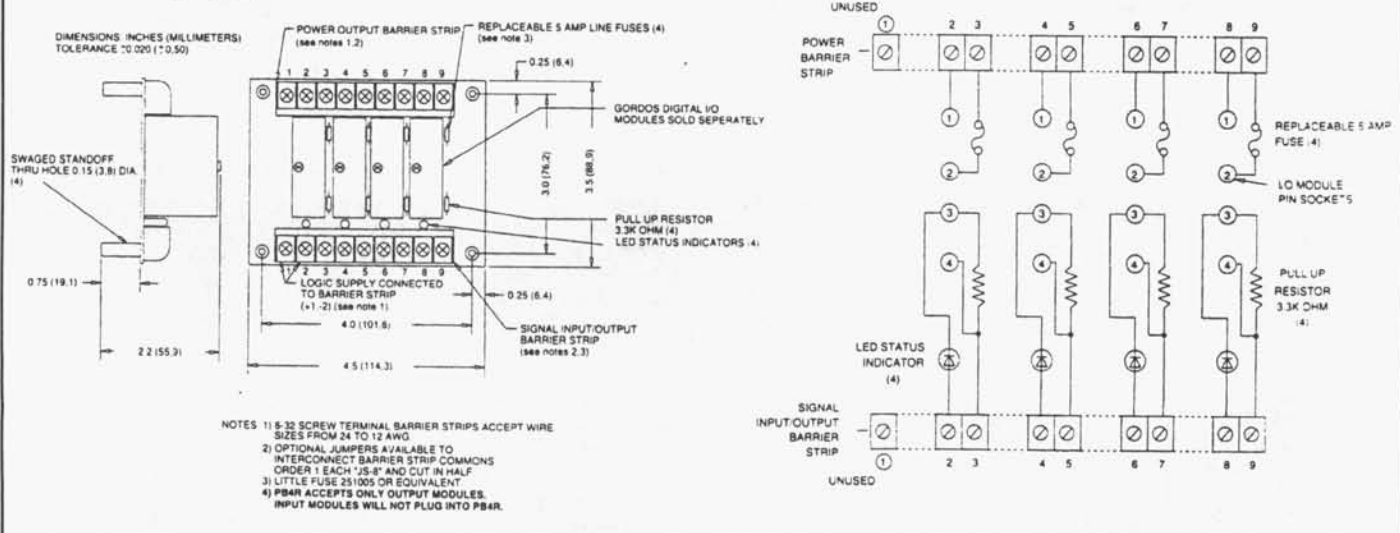


Fig. 2 PB-4R



Digital I/O Module Mounting Boards

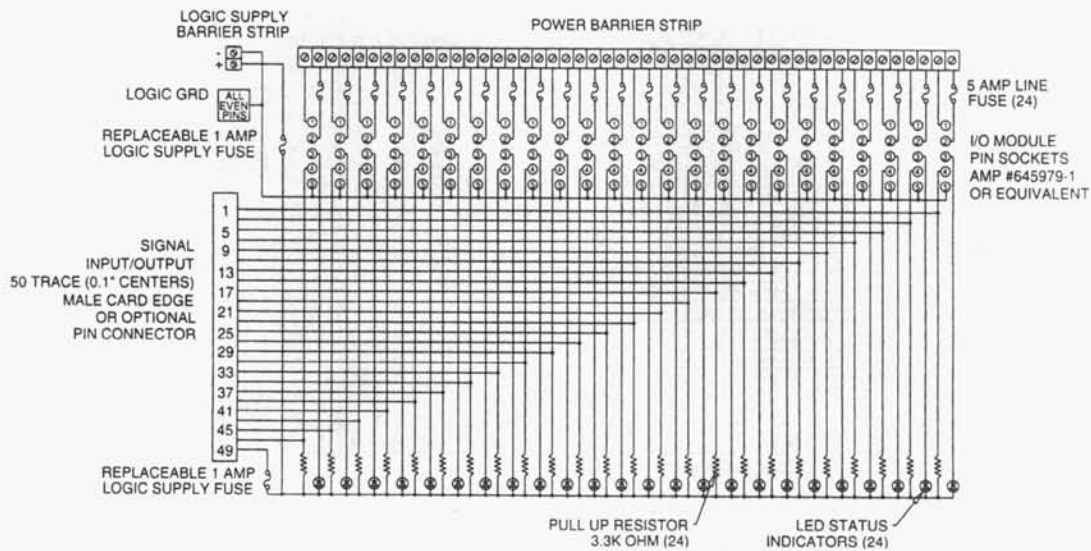
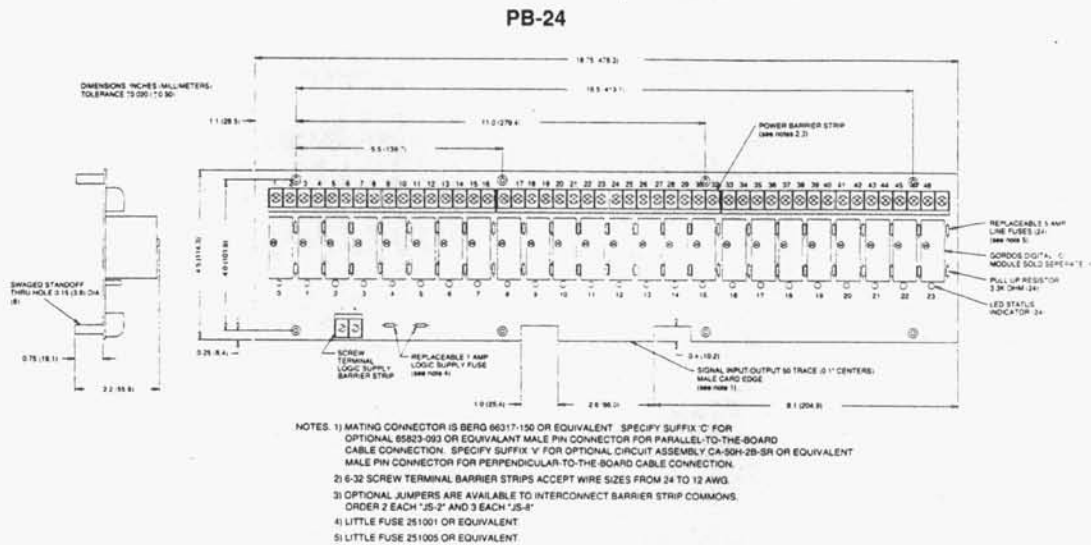
Features	Wire Size	Position	Module Type	Output	Input	Compatible with	Part Number	Fig. No.
Plug-Compatible Resistors/Fuses/LEDs	16 - 12 AWG	4	Input/Output	Barrier Strip	Barrier Strip	"SM" Series	PB-4	1
In/Out Modules Interchangeability Captive Screw	24 - 12 AWG	4	Output Only	Barrier Strip	Barrier Strip	"SM" Series	PB-4R	2

FEATURES:

- ◆ Screw terminal barrier block for load connections.
- ◆ 5 Amp field-replaceable fuses. (LITTLEFUSE #251005 or equivalent)
- ◆ Resident pull-up resistors
- ◆ LEDs indicate logic status
- ◆ All even-numbered logic connections are logic ground

Plug-Compatible Logic Boards (Con't.)

Fig. 1 FOR 0.6 INCH MODULES (Compatible with "SM" Series Modules)

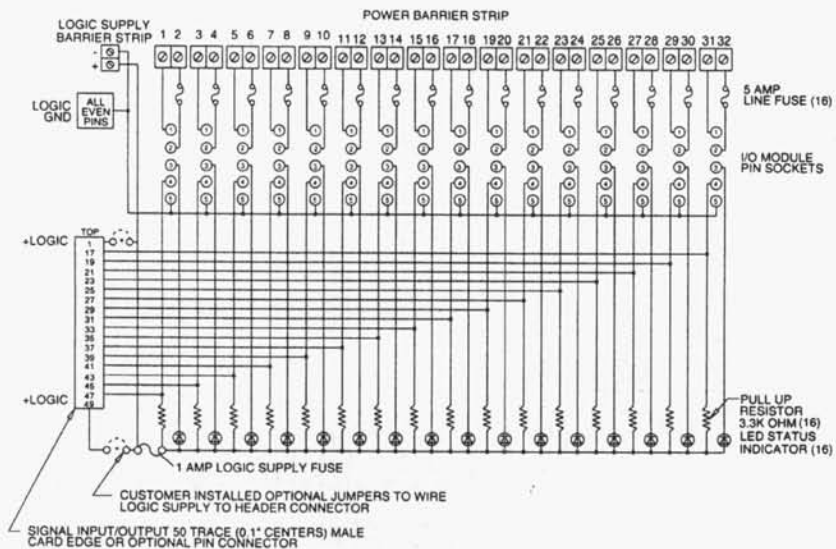
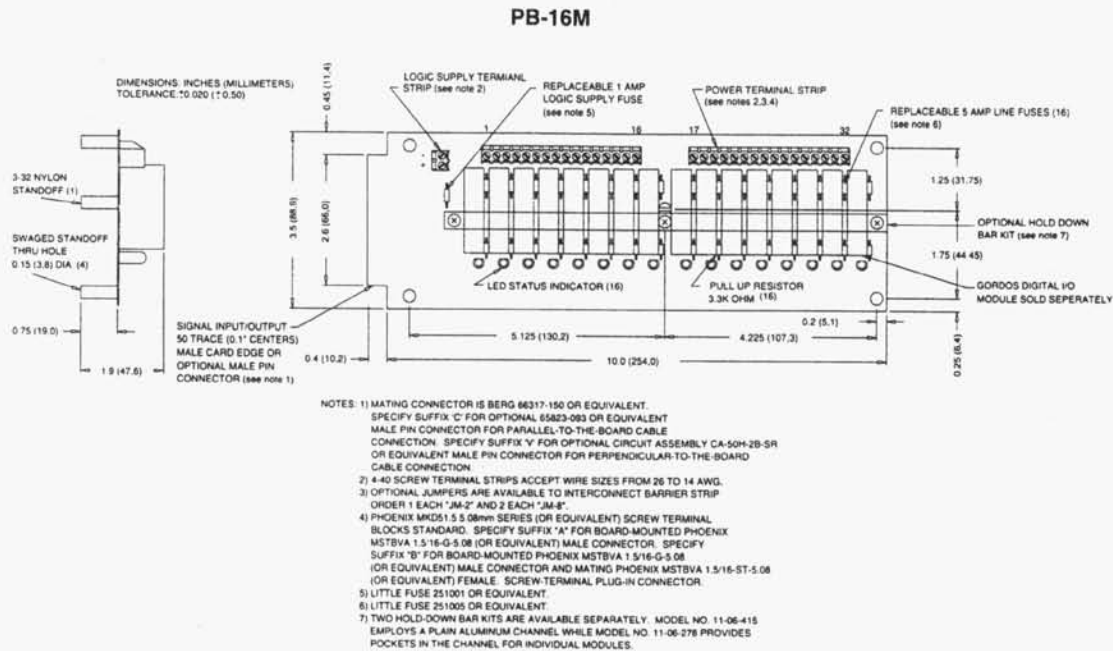


Digital I/O Module Mounting Boards

Features	Wire Size	Position	Module Type	Output	Input	Compatible with	Part Number	Fig. No.
Resistors/Fuses/LEDs In/Out Modules Interchangeability Captive Screw	24 - 12 AWG	16	Input/Output	Barrier Strip	Male Card Edge	"SM" Series	PB-16	1
Resistors/Fuses/LEDs In/Out Modules Interchangeability Captive Screw	24 - 12 AWG	24	Input/Output	Barrier Strip	Male Card Edge or Optional Pin Connector	"SM" Series	PB-24	1

Plug-Compatible Logic Boards (PCB) (Con't.)

Fig. 1 FOR "M" SERIES MINIATURE MODULES



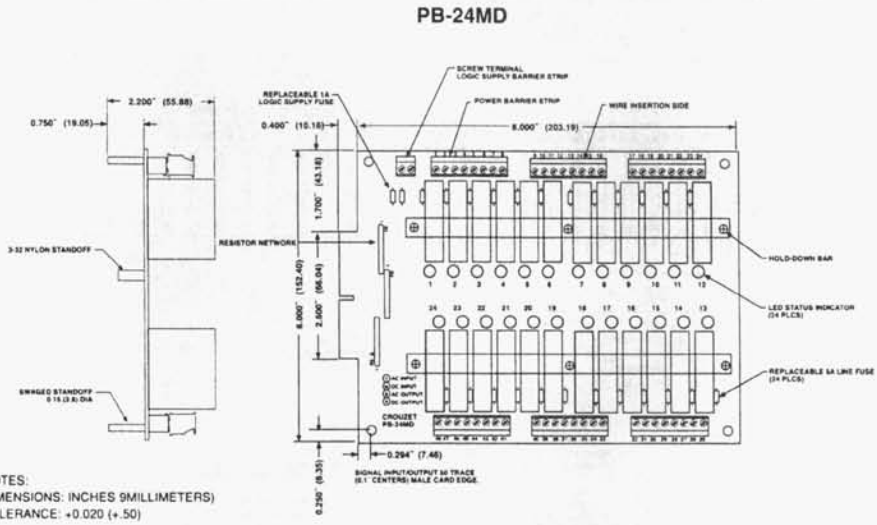
Digital I/O Module Mounting Boards

Features	Wire Size	Position	Module Type	Output	Input	Compatible with	Part Number	Fig. No.
Resistors/Fuses/LEDs In/Out Modules Interchangeability Captive Screw	24 - 14 AWG	16	Input/Output	Barrier Strip	Male Card Edge or Optional Male Pin Connector	"M" Series	PB-16M ¹	1

¹ Mating Connector is BERG66317-150 or equivalent.

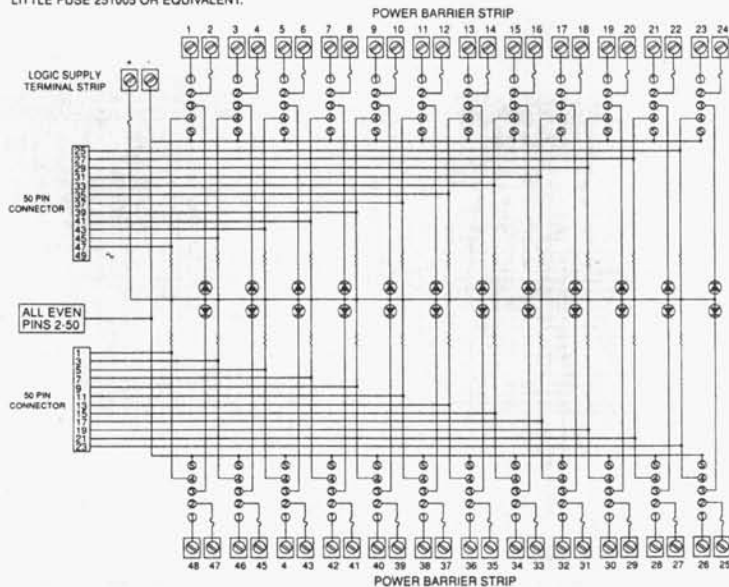
Plug-Compatible Logic Boards (Con't.)

Fig. 1 FOR "M" SERIES MINIATURE MODULES



NOTES:
DIMENSIONS: INCHES 9MILLIMETERS
TOLERANCE: +0.020 (+.50)

- NOTES: 1) MATING CONNECTOR IS BERG66317-150 OR EQUIVALENT. SPECIFY SUFFIX 'C' FOR OPTIONAL 65823-093 OR EQUIVALENT MALE PIN CONNECTOR FOR PARALLEL-TO-THE-BOARD CABLE CONNECTION. SPECIFY SUFFIX 'V' FOR OPTIONAL CIRCUIT ASSEMBLY CA-50H-29-SR OR EQUIVALENT MALE PIN CONNECTOR FOR PERPENDICULAR-TO-THE-BOARD CABLE CONNECTION.
2) 4-40 TERMINAL STRIPS ACCEPT WIRE SIZES FROM 26 TO 14 AWG.
3) OPTIONAL JUMPERS ARE AVAILABLE TO INTERCONNECT BARRIER STRIP ORDER "JM-8"
4) PHOENIX MKD51 5 5.08mm SERIES (OR EQUIVALENT) SCREW TERMINAL BLOCKS STANDARD. SPECIFY SUFFIX 'A' FOR BOARD MOUNTED PHOENIX MSTBVA 1.5-16-G-5.08 (OR EQUIVALENT) MALE CONNECTOR. SPECIFY SUFFIX 'B' FOR BOARD MOUNTED PHOENIX MSTBVA 1.5-16-G-5.08 (OR EQUIVALENT) MALE CONNECTOR AND MATING PHOENIX MSTBVA 1.5-16-ST-5.08 (OR EQUIVALENT) FEMALE, SCREW-TERMINAL PLUG-IN CONNECTOR.
5) LITTLE FUSE 251001 OR EQUIVALENT.
6) LITTLE FUSE 251005 OR EQUIVALENT.



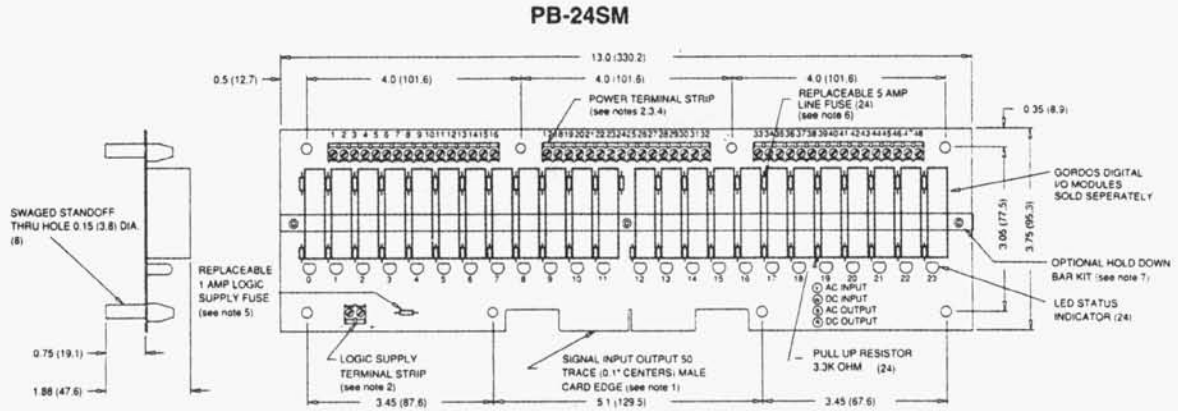
Digital I/O Module Mounting Boards

Features	Wire Size	Position	Module Type	Output	Input	Compatible with	Part Number	Fig. No.
Resistors/Fuses/LEDs In/Out Modules Interchangeability Captive Screw	24 - 14 AWG	24	Input/Output	Barrier Strip	Male Card Edge or Optional Pin Connector	"M" Series	PB-24MD ¹	1

¹ Mating Connector is BERG66317-150 or equivalent.

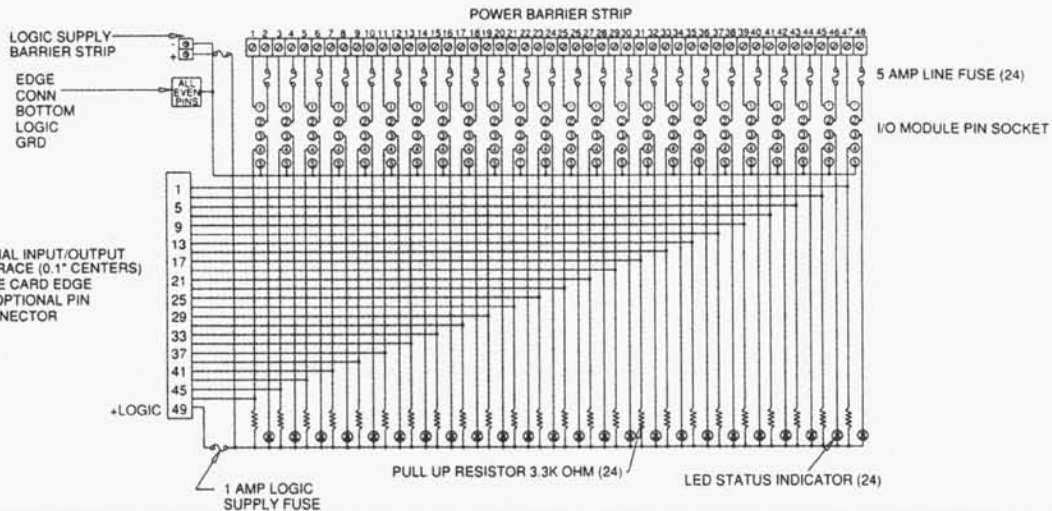
Plug-Compatible Logic Boards (PCB) (Con't.)

Fig. 1 FOR "SM" SERIES MINIATURE MODULES



- NOTES: 1) MATING CONNECTOR IS BERG 66317-150 OR EQUIVALENT. SPECIFY SUFFIX 'C' FOR OPTIONAL 65823-090 OR EQUIVALENT MALE PIN CONNECTOR FOR PARALLEL-TO-THE BOARD CABLE CONNECTION. SPECIFY SUFFIX 'V' FOR OPTIONAL CIRCUIT ASSEMBLY CA-50H-2B-SR OR EQUIVALENT MALE PIN CONNECTOR FOR PERPENDICULAR-TO-THE BOARD CABLE CONNECTION.
 2) 4-40 SCREW TERMINAL STRIPS ACCEPT WIRE SIZES FROM 26 TO 14 AWG.
 3) OPTIONAL JUMPERS ARE AVAILABLE TO INTERCONNECT BARRIER STRIP ORDER 3 EACH "JM 8".
 4) PHOENIX MKD51 5.5 Ømm SERIES (OR EQUIVALENT) SCREW TERMINAL BLOCKS STANDARD. SPECIFY SUFFIX 'A' FOR BOARD-MOUNTED PHOENIX MSTBVA 1.5-16-G-5-08 (OR EQUIVALENT) MALE CONNECTOR. SPECIFY SUFFIX 'B' FOR BOARD-MOUNTED PHOENIX MSTBVA 1.5-16-G-5-08 (OR EQUIVALENT) MALE CONNECTOR AND MATING PHOENIX MSTBVA 1.5-16-ST-5-08 (OR EQUIVALENT) FEMALE. SCREW-TERMINAL PLUG-IN CONNECTOR.
 5) LITTLE FUSE 251005 OR EQUIVALENT.
 6) LITTLE FUSE 251005 OR EQUIVALENT.
 7) TWO HOLD-DOWN BAR RITS ARE AVAILABLE SEPARATELY. MODEL NO. 11-06-413 EMPLOYS A PLAIN ALUMINUM CHANNEL WHILE MODEL NO. 11-06-288 PROVIDES POCKETS IN THE CHANNEL FOR INDIVIDUAL MODULES.

DIMENSIONS: INCHES (MILLIMETERS)
TOLERANCE: ±0.020 (±0.50)

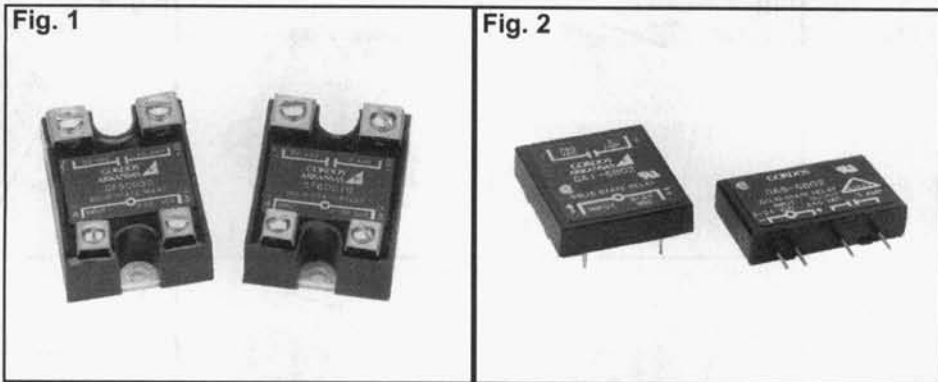


Digital I/O Module Mounting Boards

Features	Wire Size	Position	Module Type	Output	Input	Compatible with	Part Number	Fig. No.
Plug-Compatible Resistors/Fuses/LEDs	26 - 14 AWG	16	Input/Output	Barrier Strip	See Note 1	"SM" Series	PB-16SM	1
In/Out Modules Interchangeability Captive Screw	26 - 14 AWG	24	input/Output	Barrier Strip	See Note 1	"SM" Series	PB-24SM	1

1) Signal Input/Output conductor male pin edge connector. To G1 board or ribbon cable.

Solid State Relays



G Series Power Relays

Input Devices				Output specification				Part Number	Fig. No.
Control Voltage	Must Operate	Drop Out Voltage	Max Input Current	Output Rating	Control Voltage	Max 1 Cycle Surge	On-State Voltage Drop Out		
90 - 280 VAC	90 VAC	10 VAC	10 mA	10 A	90 - 280 VAC	100 A	1.3	G240A10	1
90 - 280 VAC	90 VAC	10 VAC	10 mA	25 A	90 - 280 VAC	250 A	1.3	G240A25	1
90 - 280 VAC	90 VAC	10 VAC	10 mA	45 A	90 - 280 VAC	500 A	1.3	G240A45	1
90 - 280 VAC	90 VAC	10 VAC	10 mA	50 A	90 - 280 VAC	750 A	1.6	G480A50	1
3 - 32 VDC	3 VDC	1.0 DC	34mADC	10 A	3 - 32 VDC	100 A	1.3	G240D10	1
3 - 32 VDC	3 VDC	1.0 DC	34mADC	25 A	3 - 32 VDC	250 A	1.3	G240D25	1
3 - 32 VDC	3 VDC	1.0 DC	34mADC	45 A	3 - 32 VDC	500 A	1.3	G240D45	1
3 - 32 VDC	3 VDC	1.0 DC	34mADC	50 A	3 - 32 VDC	750 A	1.6	G480D50	1
3 - 32 VDC	3 VDC	1.0 DC	18mADC	30 A	3-32 VDC	160 A	50 mOhms	GF50D30	1

GA1 & GA8 Series

Input Devices				Output Specification				Part Number	Fig. No.	
Min Turn-On Voltage	Max Input Voltage	Drop Out Voltage	Max Input Current VDC	Nominal Input Resistance Ohms	Nominal Line Voltage	Min Line Voltage	Max Line Voltage			Max Peak Off-state Voltage
3.0 VDC	28 VDC	1.0 VDC	25 mA	1 K	240 VAC	24 VAC	280 VAC	±600V Peak	GA1-6B02	2
3.0 VDC	28 VDC	1.0 DC	25 mA	1 K	240 VAC	24 VAC	280 VAC	±600V Peak	GA8-6D05	2

Three-Phase Solid State Relays

Input Devices				Output Specification			Part Number	Fig. No.	
Voltage Range	Drop-out Voltage	Control Current	Line Voltage Range	Rated Current	Min Current	1 Cycle Surge Current			Max On-state Voltage Drop Out
4 - 32 VDC	1 VDC	20 mA	24 - 660 VAC	25 A	.2	270 Apeak	1.6 Volts	GA3-12D25Z	-
4 - 32 VDC	1 VDC	20 mA	24 - 660 VAC	45 A	.2	450 Apeak	1.6 Volts	GA3-12D45Z	-
4 - 32 VDC	10 VAC	10 mA	24 - 660 VAC	45 A	.2	450 Apeak	1.6 Volts	GA3-12A45Z	-



"It's what you learn after you know it all that counts."

— John Wooden

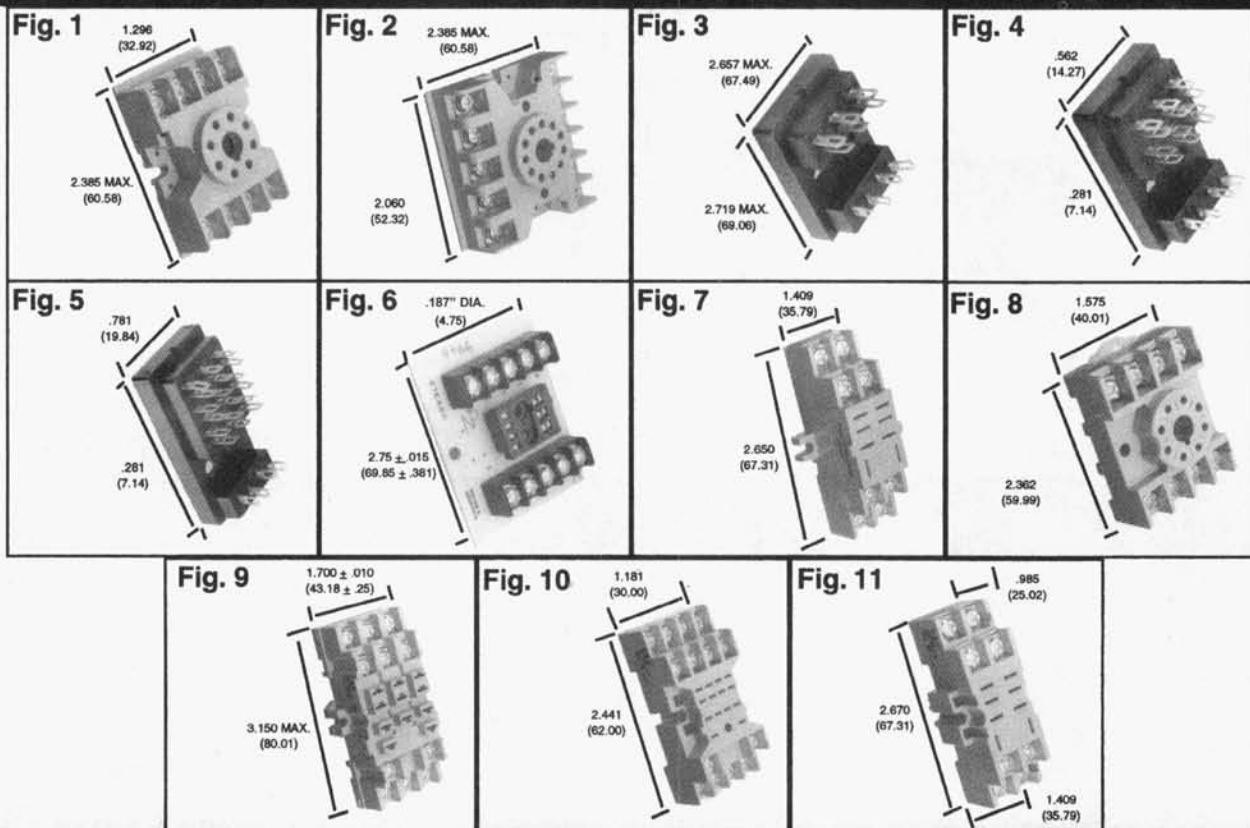
SOCKETS

GENERAL PURPOSE

Featuring:



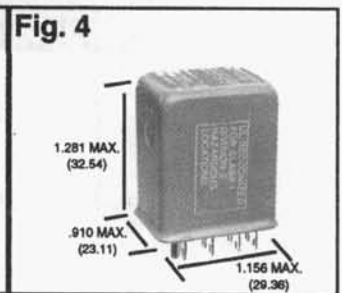
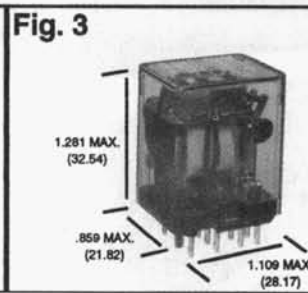
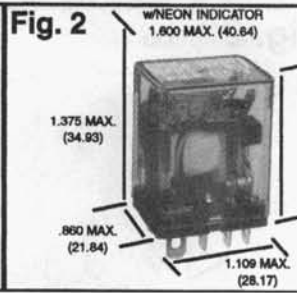
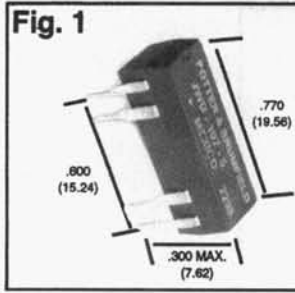
General Purpose



Poles	Terminal Type	Mounting Method		Pin Count	Part No.	Fig. No.
2 Pole	Screw	Panel	Fits KRPA Series	8	27E	1
3 Pole	Screw	Panel		11	27E	2
2 Pole w/ground	Solder	Thru-Panel		8	27E	3
4 Pole w/ground	Solder	Thru-Panel		14	27E	4
6 Pole w/ground	Solder	Thru-Panel		20	27E	5
2 Pole w/ground	PC Pin	Staggered PCB		8	27E	3
4 Pole w/ground	PC Pin	Staggered PCB		14	27E	4
2 Pole	Solder	Thru-Panel		8	27E	3
2 Pole	Solder	Thru-Panel		8	27E	4
2 & 4 Pole	Screw	Panel	Fits KHAU Series	14	27E	10
2 Pole w/ground	PC Pin	Staggered PCB		8	27E	3
4 Pole w/ground	PC Pin	Staggered PCB		14	27E	4
2 Pole	PC Pin	Staggered PCB		8	27E	3
4 Pole	PC Pin	Staggered PCB		14	27E	4
2 Pole	Solder	Bracket		8	27E317	3
Pole	PC Pin	n-Line PCB		8	27E342	3
1-3 Pole	.187" QC	Thru-Panel		11	27E396	----
2 Pole w/ground	Solder	Flange		8	27E446	----
2 Pole	Screw	Track/Chassis		8	27E460	6
4 Pole	Screw	Track/Chassis		14	27E461	----
2 Pole	Screw	Panel/DIN	Fits KIOP Series	8	27E487	7
2 Pole	PC Pin	PCB	Fits KIOP Series	8	27E489	----
4 Pole	PC Pin	In-Line PCB		14	27E629	4
2 Pole w/ground	PC Pin	PCB		8	27E709	3
4 Pole	PC Pin	Staggered PCB		14	27E714	4
4 Pole	Screw	Panel/DIN	Fits KUP Series	14	27E867	----
1 & 2 Pole	Screw	Panel/DIN	Fits KRPA Series	8	27E891	8
3 Pole	Screw	Panel/DIN	Fits KRPA Series	11	27E892	----
1-3 Pole	Screw	Panel/DIN	Fits KUPE/KUL/KUMR Series	11	27E893	9
2 & 4 Pole	Screw	Panel/DIN	Fits KHAU Series	14	27E894	10
2 Pole	Screw	Panel/DIN		8	27E895	11

Poles	Terminal Type	Mounting Method		Pin No.	Part No.	Fig. No.
2 & 3 Pole	Screw	DIN/ Panel		11	MR78750	----
2 & 3 Pole	Screw	DIN/ Panel		8	MR78755	----
2 & 3 Pole	Screw	DIN		11	MT78740	----
2 & 3 Pole	Screw	DIN		8	MT78745	----
1 & 2 Pole	Screw	DIN		----	RT78625	----
1 & 2 Pole	Screw	DIN		----	RP78602	----

Dry Reed/Miniature General Purpose



Dust Cover	Terminal Type	Mounting Method	Pin count	Part No.	Fig. No.
Snap on Dust Cover T90N	PCB	PCB	8	RP78602	--

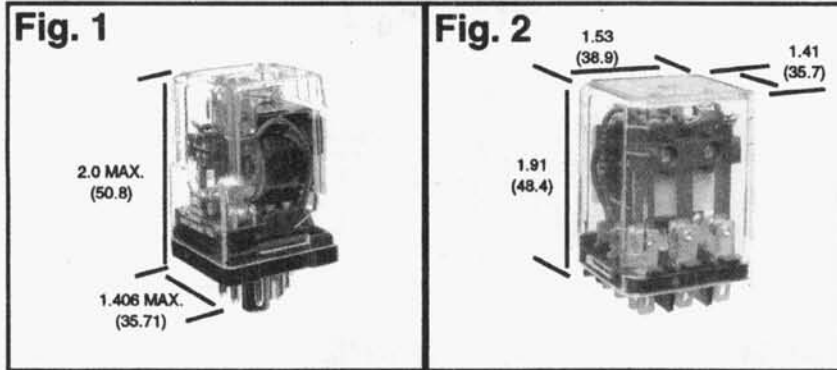
Contact Rating	Poles & Throws	Coil Volts	Terminal Type	Avail. Socket	Diode	Pin Count	Part No.	Fig. No.
500mA	SPST-N.O.	5/6VDC	PCB	IC Socket	Yes	14	JWD-107-5	1
500mA	SPST-N.O.	12VDC	PCB	IC Socket	Yes	14	JWD-107-7	1
500mA	SPST-N.O.	24VDC	PCB	IC Socket	Yes	14	JWD-171-10	1
500mA	SPST-N.C.	5/6VDC	PCB	IC Socket	Yes	14	JWD-171-17	1
500mA	DPST-N.O.	12VDC	PCB	IC Socket	No	14	JWD-171-23	1
500mA	DPST-N.O.	5/6VDC	PCB	IC Socket	Yes	14	JWD-171-25	1
500mA	DPST-N.O.	12VDC	PCB	IC Socket	Yes	14	JWD-171-27	1
500mA	DPST-N.O.	24VDC	PCB	IC Socket	Yes	14	JWD-171-28	1
500mA	SPST-N.O.	5/6VDC	PCB	IC Socket	No	14	JWD-172-1	1
500mA	SPDT	12VDC	PCB	IC Socket	No	14	JWD-172-3	1
500mA	SPDT	24VDC	PCB	IC Socket	No	14	JWD-172-4	1
500mA	SPDT	5/6VDC	PCB	IC Socket	Yes	14	JWD-172-5	1
500mA	SPDT	12VDC	PCB	IC Socket	Yes	14	JWD-172-7	1
500mA	SPDT	24VDC	PCB	IC Socket	Yes	14	JWD-172-8	1

Contact Rating	Poles & Throws	Coil Volts	Terminal Type	Mounting Method	Avail.	Socket	Lamp Ind.	Pin Count	Part No.	Fig. No.
15A	DPDT	12VAC	.187"QC	Socket	27E4891	27E4873	No	8	K10P-11A15-12	2
15A	DPDT	120VAC	.187"QC	Socket	27E4891	27E4873	No	8	K10P-11A15-120	2
15A	DPDT	24VAC	.187"QC	Socket	27E4891	27E4873	No	8	K10P-11A15-24	2
15A	DPDT	120VAC	.187"QC	Flange	27E4891	27E4873	No	8	K10P-11AT5-120	2
15A	DPDT	12VDC	.187"QC	Socket	27E4891	27E4873	No	8	K10P-11D15-12	2
15A	DPDT	24VDC	.187"QC	Socket	27E4891	27E4873	No	8	K10P-11D15-24	2
15A	DPDT	110VDC	PCB	PCB			No	8	K10P-11D55-12	2
15A	DPDT	24VDC	PCB	PCB			No	8	K10P-11D55-24	2
15A	DPDT	12VDC	.187"QC/solder	Flange	----	----	No	8	K10P-11DT5-12	----
15A	DPDT	24VDC	.187"QC/solder	Flange	----	----	No	8	K10P-11DT5-24	----
3A	4PDT	120VAC	.187"QC/solder	Socket/Solder	27E8942	27E1663	No	14	KHAU-17A11-120	3
3A	4PDT	24VAC	.187"QC/solder	Socket/Solder	27E8942	27E1663	No	14	KHAU-17A11-24	3
3A	4PDT	120VAC	.187"QC/solder	Socket/Solder	27E8942	27E1663	Neon	14	KHAU-17A11N-120	3
5A	4PDT	120VAC	.187"QC/solder	Socket/Solder	27E8942	27E1663	No	14	KHAU-17A12-120	3
1A	4PDT	120VAC	.187"QC/solder	Socket/Solder	27E8942	27E1663	No	14	KHAU-17A16-120	3
1A	4PDT	24VAC	.187"QC/solder	Socket/Solder	27E8942	27E1663	No	14	KHAU-17A16-24	3
3A	4PDT	12VDC	.187"QC/solder	Socket/Solder	27E8942	27E1663	No	14	KHAU-17D11-12	3
3A	4PDT	24VDC	.187"QC/solder	Socket/Solder	27E8942	27E1663	No	14	KHAU-17D11-24	3
5A	4PDT	12VDC	.187"QC/solder	Socket/Solder	27E8942	27E1663	No	14	KHAU-17D12-12	3
5A	4PDT	24VDC	.187"QC/solder	Socket/Solder	27E8942	27E1663	No	14	KHAU-17D12-24	3
1A	4PDT	12VDC	.187"QC/solder	Socket/Solder	27E8942	27E1663	No	14	KHAU-17D16-12	3
1A	4PDT	24VDC	.187"QC/solder	Socket/Solder	27E8942	27E1663	No	14	KHAU-17D16-24	3
3A	4PDT	120VAC	.187"QC/solder4	Socket	27E8942	27E1663	----	14	KHS-17A11-120	4
5A	4PDT	120VAC	.187"QC/solder4	Socket	27E8942	27E1663	----	14	KHS-17A12-120	4
3A	4PDT	12VDC	.187"QC/solder4	Socket	27E8942	27E1663	----	14	KHS-17D11-12	4
3A	4PDT	24VDC	.187"QC/solder4	Socket	27E8942	27E1663	----	14	KHS-17D11-24	4
5A	4PDT	24VDC	.187"QC/solder4	Socket	27E8942	27E1663	----	14	KHS-17D12-24	4

*PCB
 *Din-rail
 *Screw
***NOTE:** Do not ground KHS frame without consulting the factory.



General Purpose/Hi-Voltage/High Power/VDE Approved/Magnetic Latching Relays



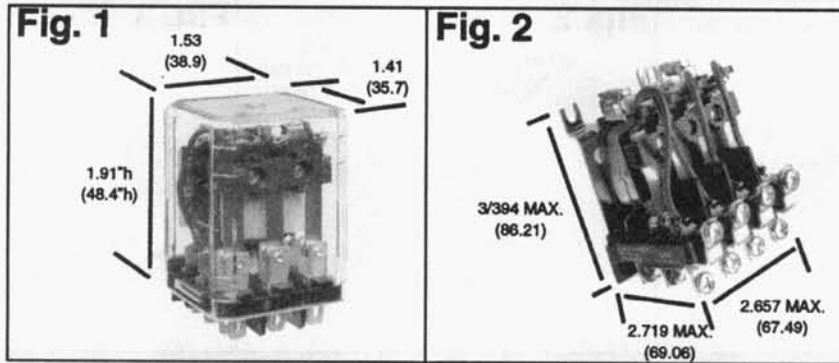
Contact Rating	Poles & Throws	Coil Volts	Terminal Type	Mounting Method	Avail.	Socket	Lamp Ind.	Pin Count	Part No.	Fig. No.
10A	DPDT	120VAC	Octal 8 Pin	Socket	27E8911	27E1222	No	8	KRPA-11AG-120	1
10A	DPDT	24VAC	Octal 8 Pin	Socket	27E8911	27E1222	No	8	KRPA-11AG-24	1
10A	DPDT	240VAC	Octal 8 Pin	Socket	27E8911	27E1222	No	8	KRPA-11AG-240	1
10A	DPDT	120VAC	Octal 8 Pin	Socket	27E8911	27E1222	Yes	8	KRPA-11AN-120	1
10A	DPDT	24VAC	Octal 8 Pin	Socket	27E8911	27E1222	No	8	KRPA-11AN-24	1
5A	DPDT	120VAC	Octal 8 Pin	Socket	27E8911	27E1222	No	8	KRPA-11AY-120	1
10A	DPDT	110VDC	Octal 8 Pin	Socket	27E8911	27E1222	No	8	KRPA-11DG-110	1
10A	DPDT	12VDC	Octal 8 Pin	Socket	27E8911	27E1222	No	8	KRPA-11DG-12	1
10A	DPDT	24VDC	Octal 8 Pin	Socket	27E8911	27E1222	No	8	KRPA-11DF-24	1
10A	DPDT	48VDC	Octal 8 Pin	Socket	27E8911	27E1222	No	8	KRPA-11DG-48	1
10A	DPDT	24VDC	Octal 8 Pin	Socket	27E8911	27E1222	Yes	8	KRPA-11DN-24	1
10A	SPDT	120VAC	Octal 8 Pin	Socket	27E8911	27E1222	No	8	KRPA-5AG120	1
10A	3PDT	120VAC	Octal 11 Pin	Socket	27E8921	27E1222	No	8	KRPA-14AG-120	1
10A	3PDT	120VAC	Octal 11 Pin	Socket	27E8921	27E1222	Yes	8	KRPA-14AN-120	1
10A	3PDT	110VDC	Octal 11 Pin	Socket	27E8921	27E1222	No	8	KRPA-14DG-110	1
10A	3PDT	12VDC	Octal 11 Pin	Socket	27E8921	27E1222	No	8	KRPA-14DG-12	1
10A	3PDT	24VDC	Octal 11 Pin	Socket	27E8921	27E1222	No	8	KRPA-11DG-24	1

Contact Rating	Poles & Throws	Coil Volts	Terminal Type	Mounting Method	Avail.	Socket	Lamp Ind.	Pin Count	Part No.	Fig. No.
3A	DPDT	120VAC	.187"QC3	Socket	27E8934	27E3965		8	KUEP-11A15-120	2
3A	DPDT	120VAC	.187"QC3	Socket	27E8934	27E3965		8	KUEP-11D15-24	2
3A	DPDT	120VAC	.187"QC3	Socket	27E8934	27E3965		4	KUEP-3A15-120	2
3A	DPDT	120VAC	.187"QC3	Socket	27E8934	27E3965		4	KUEP-3D15-12	2
3A	DPDT	120VAC	.187"QC3	Socket	27E8934	27E3965		4	KUEP-3D15-24	2
3A	DPDT	120VAC	.187"QC3	Socket	27E8934	27E3965		6	KUEP-7D15-24	2

Contact Rating	Poles & Throws	Coil Volts	Terminal Type	Mounting Method	Avail.	Socket	Lamp Ind.	Pin Count	Part No.	Fig. No.
20A	DPDT	120VAC	.250"QC	Bracket				8	KUHP-11A51-120	----
20A	DPDT	24VAC	.250"QC	Bracket				8	KUHP-11A51-24	----
20A	DPDT	120VAC	.250"QC	Flange				8	KUHP-11AT1-120	----
20A	DPDT	24VAC	.250"QC	Bracket				8	KUHP-11D51-24	----
20A	DPDT	12VAC	.250"QC	Flange				8	KUHP-11DT1-12	----
20A	DPDT	24VAC	.250"QC	Flange				8	KUHP-11DT1-24	----
30A	SPDT	120VAC	.250"QC	Bracket				5	KUHP-5A51-120	----
30A	SPDT	12VAC	.250"QC	Bracket				5	KUHP-5D51-12	----
30A	SPDT	24VAC	.250"QC	Bracket				5	KUHP-5D51-24	----
30A	SPDT	12VAC	.250"QC	Flange				5	KUHP-5DT1-12	----
30A	SPDT	24VAC	.250"QC	Flange				5	KUHP-5DT1-24	----

Contact Rating	Poles & Throws	Coil Volts	Terminal Type	Mounting Method	Avail.	Socket	Lamp Ind.	Pin Count	Part No.	Fig. No.
10A	DPDT	12VDC	.187"QC	Bracket	----			8	KUIP-11D55-12	----
10A	DPDT	24VDC	.187"QC	Bracket	----			8	KUIP-11D55-24	----
10A	DPDT	120VAC	.187"QC/Solder	Socket	27E893			8	KUL-11A15S-120	----

General Purpose/Relay Accessories/sockets/Heavy Duty Relays



Contact Rating	Poles & Throws	Coil Volts	Terminal Type	Mounting Method	Avail. Socket	Features				Part No.	Fig. No.
						Ind. Lamp	Push No.	Flag Ind	Pin No.		
15A	DPDT	120VAC	.187"QC/Solder	Socket	27E3961/ 27E8932	No	No	No	8	KUMP-11A18-120	1
15A	DPDT	120VAC	.187"QC/Solder	Socket	27E3961/ 27E8932	No	No	No	8	KUMP-11A18-120	1
15A	DPDT	12VDC	.187"QC/Solder	Socket	27E3961/ 27E8932	No	No	No	8	KUMP-11D18-12	1
15A	3PDT	120VAC	.187"QC/Solder	Socket	27E3961/ 27E8932	No	No	No	11	KUMP-14A18-120	1
15A	3PDT	12VDC	.187"QC/Solder	Socket	27E3961/ 27E8932	No	No	No	11	KUMP-14D18-12	1
15A	3PDT	24VDC	.187"QC/Solder	Socket	27E3961/ 27E8932	No	No	No	11	KUMP-14D18-24	1
10A	DPDT	120VAC	.187"QC/Solder	Socket	27E867	No	No	No	8	KUP-11A15-120	1
10A	DPDT	24VAC	.187"QC/Solder	Socket	27E867	No	No	No	8	KUP-11A15-24	1
10A	DPDT	120VAC	.187"QC/Solder	Bracket		No	No	No	8	KUP-11A55-120	1
10A	DPDT	24VAC	.187"QC/Solder	Bracket		No	No	No	8	KUP-11A55-24	1
10A	DPDT	120VAC	.187"QC/Solder	Flange		No	No	No	8	KUP-11AT5-120	1
10A	DPDT	12VDC	.187"QC/Solder	Socket	27E867	No	No	No	8	KUP-11D15-12	1
10A	DPDT	24VDC	.187"QC/Solder	Socket	27E867	No	No	No	8	KUP-11D15-24	1
10A	DPDT	12VDC	.187"QC/Solder	Bracket		No	No	No	8	KUP-11D55-12	1
10A	DPDT	24VDC	.187"QC/Solder	Bracket		No	No	No	8	KUP-11D55-24	1
10A	DPDT	120VAC	.187"QC/Solder	Socket	27E867	No	No	No	11	KUP-14A15-120	1
10A	3PDT	24VAC	.187"QC/Solder	Socket	27E867	No	No	No	11	KUP-14A15-24	1
10A	3PDT	120VAC	.187"QC/Solder	Socket	27E86	No	No	No	11	KUP-14A35-120	1
10A	3PDT	120VAC	.187"QC/Solder	Socket	27E867	Yes	Yes	No	11	KUP-14A45-120	1
10A	3PDT	120VAC	.187"QC/Solder	Bracket		No	No	No	11	KUP-14A55-120	1
10A	3PDT	24VAC	.187"QC/Solder	Bracket		No	No	No	11	KUP-14A55-24	1
10A	3PDT	240VAC	.187"QC/Solder	Bracket		No	No	No	11	KUP-14A55-240	1
10A	3PDT	110VDC	.187"QC/Solder	Socket	27E867	No	No	No	11	KUP-14D15-110	1
10A	3PDT	12VDC	.187"QC/Solder	Socket	27E867	No	No	No	11	KUP-1D15-12	1
10A	3PDT	24VDC	.187"QC/Solder	Socket	27E867	No	No	No	11	KUP-14D15-24	1
10A	3PDT	24VDC	.187"QC/Solder	Socket	27E867	Yes	No	No	11	KUP-14D35-24	1
10A	DPDT	120VAC	.187"QC/Solder	Socket	27E867	No	No	No	5	KUP-5A15-120	1
10A	DPDT	24VAC	.187"QC/Solder	Socket	27E867	No	No	No	5	KUP-5A15-24	1
10A	DPDT	120VAC	.187"QC/Solder	Bracket	----	No	No	No	5	KUP-5A55-120	1
10A	1DPDT	24VDC	.187"QC/Solder	Socket	27E867	No	No	No	5	KUP-5D15-24	1
10A	DPDT	12VDC	.187"QC/Solder	Bracket	----	No	No	No	5	KUP-5D55-12	1
10A	DPDT	24VDC	.187"QC/Solder	Bracket	----	No	No	No	5	KUP-5D55-24	1

Contact Rating	Poles & Throws	Coil Volts	Terminal Type	Mounting Method	Avail. Socket	Features				Part No.	Fig. No.
						Ind. Lamp	Push No.	Flag Ind	Pin No.		
10A	DPDT	12VDC	8 Pin-Octal	Socket	MT78745	No	Test	Yes	8	MT221012	----
10A	DPDT	24VDC	8 Pin-Octal	Socket	MT78745	No	Test	Yes	8	MT221024	----
10A	DPDT	24VAC	8 Pin-Octal	Socket	MT78745	No	Test	Yes	8	MT226024	----
10A	DPDT	115VAC	8 Pin-Octal	Socket	MT78745	No	Test	Yes	11	MT226115	----
10A	DPDT	230VAC	8 Pin-Octal	Socket	MT78745	No	Test	Yes	11	MT226230	----
10A	3PDT	12VDC	11 Pin-Octal	Socket	MT78740	No	Test	Yes	11	MT321012	----
10A	3PDT	24VDC	11 Pin-Octal	Socket	MT78740	No	Test	Yes	11	MT321024	----
10A	3PDT	24VAC	11 Pin-Octal	Socket	MT78740	No	Test	Yes	11	MT326024	----
10A	3PDT	115VAC	11 Pin-Octal	Socket	MT78740	No	Test	Yes	11	MT326115	----
10A	3PDT	230VAC	11 Pin-Octal	Socket	MT78740	No	Test	Yes	11	MT326230	----
"25A,10A"	4PDT	120VAC	Screw	Bracket		No	No	No	14	PM-17AY-120	2
"25A,10A "	4PDT	12VDC	Screw	Bracket		No	No	No	14	PM-17DY-12	2

QC Solder
 *Screw
 Relay Accessory, Retaining Clip, Fits MT Series Relays

RELAYS

GENERAL PURPOSE

Featuring:



General Purpose/Relay Accessories/sockets/Heavy Duty Relays

Fig. 1

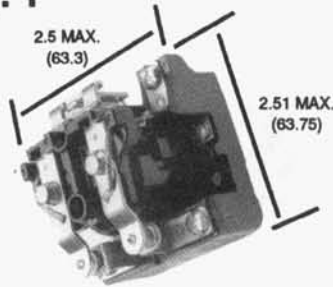


Fig. 2

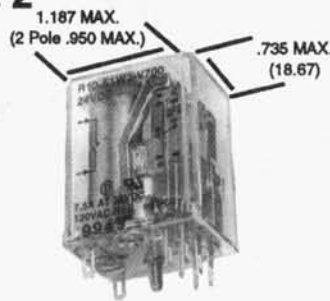


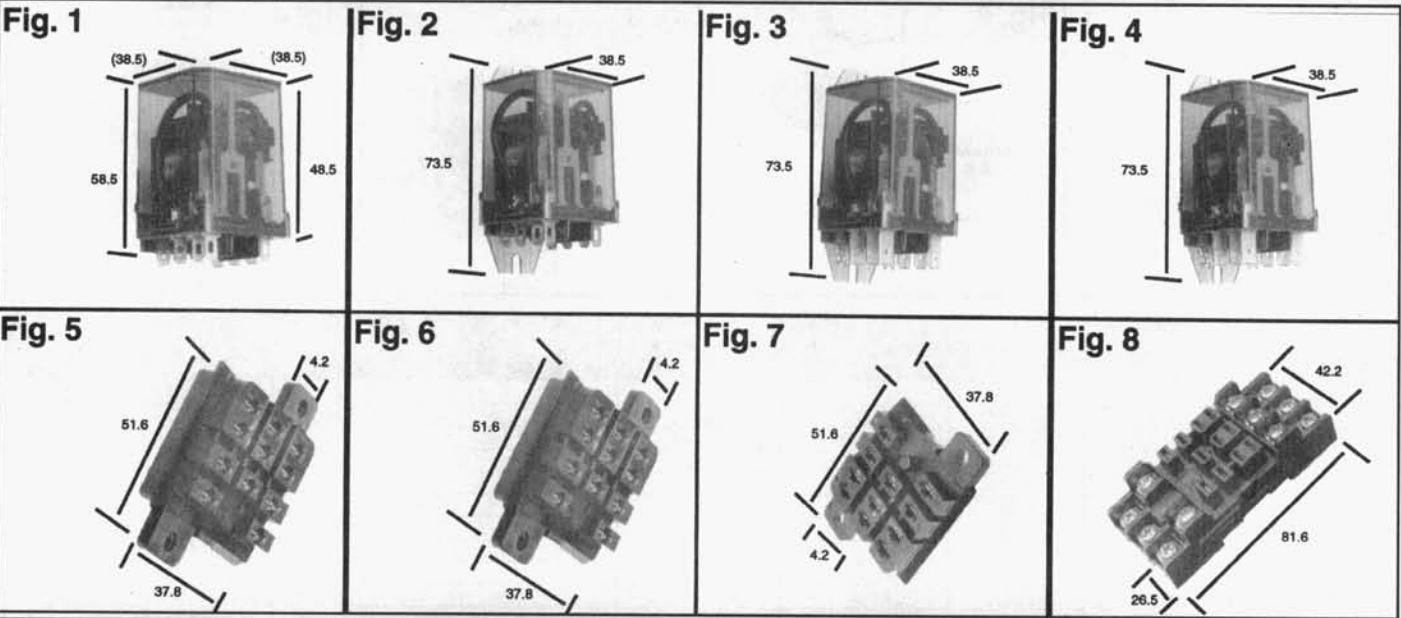
Fig. 3



Contact Rating	Poles & Throws	Coil Volts	Terminal Type	Mounting Method	Avail. Socket	Pin Count	Part No.	Fig. No.
30A	DPDT	120VAC	Screw	Flange	----	8	PRD-11AG0-120	1
30A	DPDT	24VAC	Screw	Flange		8	PRD-11AG0-24	1
20A	DPDT	120VAC	Screw	Flange		8	PRD-11AH0-120	1
25A	DPDT	120VAC	Screw	Flange		8	PRD-11AY0-120	1
25A	DPDT	24VAC	Screw	Flange		8	PRD-11AY0-24	1
25A	DPDT	240VAC	Screw	Flange		8	PRD-11AY0-240	1
30A	DPDT	12VDC	Screw	Flange		8	PRD-11DG0-24	1
20A	DPDT	110VDC	Screw	Flange		8	PRD-11DH0-110	1
20A	DPDT	12VDC	Screw	Flange		8	PRD-11DH0-12	1
20A	DPDT	24VDC	Screw	Flange		8	PRD-11DH0-24	1
20A	DPDT	24VDC	Screw	Flange		8	PRD-11DJ0-24	1
25A	DPDT	12VDC	Screw	Flange		8	PRD-11DY0-12	1
25A	DPDT	24VDC	Screw	Flange		8	PRD-11DY0-24	1
25A	SPST	120VAC	Screw	Flange		4	PRD-3AG0-12	1
25A	SPST	12VDC	Screw	Flange		4	PRD-3DY0-12	1
25A	SPST	24VDC	Screw	Flange		4	PRD-3DY0-24	1
25A	SPDT	12VAC	Screw	Flange		5	PRD-5AY0-12	1
25A	SPDT	120VAC	Screw	Flange		5	PRD-5AY0-120	1
25A	SPDT	24VAC	Screw	Flange		5	PRD-5AY0-24	1
25A	SPDT	12VDC	Screw	Flange		5	PRD-5DY0-12	1
25A	SPDT	24VDC	Screw	Flange		5	PRD-5DY0-24	1
30A	DPST	120VAC	Screw	Flange		6	PRD-7AG0-120	1
25A	DPST	120VAC	Screw	Flange		6	PRD-7AY0-120	1
25A	DPST	24VAC	Screw	Flange		6	PRD-7AY0-24	1
25A	DPST	240VAC	Screw	Flange		6	PRD-7AY0-240	1
25A	DPST	12VDC	Screw	Flange		6	PRD-7DY0-12	1
25A	DPST	24VDC	Screw	Flange		6	PRD-7DY0-24	1
30A	DPDT	120VAC	Screw	Flange		8	PRDA-11AGA-120	----
5A	4PDT	24VDC	Note #5	Socket	Note #2	14	R10-E1M4-V700	2
3A	DPDT	115VAC	Note #5	Socket	Note #1	8	R10-E1P2-115V	2
7.5A	DPDT	24VDC	Note #5	Socket	Note #1	8	R10-E1W2-V700	2
5A	DPDT	115VAC	Note #5	Socket	Note #1	8	R10-E1X2-115V	2
5A	DPDT	24VDC	Note #5	Socket	Note #1	8	R10-E1X2-24V	2
5A	DPDT	12VDC	Note #5	Socket	Note #1	8	R10-E1X2-V185	2
5A	DPDT	24VDC	Note #5	Socket	Note #1	8	R10-E1X2-V700	2
5A	4PDT	12VDC	Note #5	Socket	Note #2	14	R10-E1X4-V185	2
5A	4PDT	24VDC	Note #5	Socket	Note #2	14	R10-E1X4-V700	2
3A	DPDT	12VDC	Note #5	Socket	Note #1	8	R10-E1Y2-V185	2
3A	4PDT	24VDC	Note #5	Socket	Note #2	14	R10E1Y4-V700	2
3A	6PDT	48VDC	Note #5	Socket	27E127	22	R10-E1Y6-V1.5K	2
5A	DPDT	24VDC	Note #5	Socket	Note #1	8	R10-E2X2-V700	2
5A	4PDT	24VDC	Note #5	Socket	Note #2	14	R10-E2X4-V185	2
3A	DPDT	24VDC	Note #5	Socket	Note #1	8	R10-E2Y2-V700	2
3A	DPDT	115VAC	8 Pin	Octal Socket	Note #4	8	R10-T1P2-115V	3

Note #1 - 27E460, 27E125, 27E162, 27E128, 27E212, 27E193, 27E342, 27E446
 Note #2 - 27E163, 27E129, 27E194, 27E629, 27E461
 Note #3 - RM78700, RM78701, RM78702, RM78705
 Note #4 - 27E122, 27E891
 Note #5 - Solder/Plug-in with #3-48 Mounting Stud. 080

General Purpose/Relay Accessories/Socket/Heavy Duty Relays



Contact Rating	Poles & Throws	Coil Volts	Terminal Type	Mounting Method	Avail.Socket	Pin Count	Part No.	Fig. No.
16A	DPDT	12VDC	.187"QC/Solder	Socket	Note #3	8	RM202012	1
16A	DPDT	24VDC	.187"QC/Solder	Socket	Note #3	8	RM202024	1
16A	DPDT	12VDC	.187"QC/Solder	Socket	Note #3	8	RM202524	1
16A	DPDT	115VAC	.187"QC/Solder	Socket	Note #3	8	RM202615	1
16A	DPDT	12VDC	.187"QC/Solder	Bracket		8	RM203012	3
16A	DPDT	24VDC	.187"QC/Solder	Bracket		8	RM203024	1
16A	DPDT	24VAC	.187"QC/Solder	Bracket		8	RM203524	1
16A	DPDT	115VAC	.187"QC/Solder	Bracket		8	RM203615	2
16A	DPDT	24VDC	.250"QC	Bracket		8	RM205024	4
16A	DPDT	24VAC	.250"QC	Bracket		8	RM205524	1
16A	DPDT	115VAC	.250"QC	Bracket		8	RM205615	1
10A	3PDT	12VDC	.187"QC/Solder	Socket	Note #3	11	RM302012	1
10A	3PDT	24VDC	.187"QC/Solder	Socket	Note #3	11	RM302024	1
10A	3PDT	24VAC	.187"QC/Solder	Socket	Note #3	11	RM302524	1
10A	3PDT	115VAC	.187"QC/Solder	Socket	Note #3	11	RM302615	1
16A	DPST	24VDC	.187"QC/Solder	Socket	Note #3	8	RM502024	1
16A	DPST	24VAC	.187"QC/Solder	Socket	Note #3	8	RM502524	----
16A	DPST	115VDC	.187"QC/Solder	Socket	Note #3	8	RM502615	----
10A	3PST	24VDC	.187"QC/Solder	Socket	Note #3	11	RM602024	----
10A	3PST	24VAC	.187"QC/Solder	Socket	Note #3	11	RM602524	----
10A	3PST	115VAC	.187"QC/Solder	Socket	Note #3	11	RM602615	----
16A	3PDT	12VDC	.187"QC/Solder	Socket	Note #3	11	RM702012	2
16A	3PDT	24VDC	.187"QC/Solder	Socket	Note #3	11	RM702024	2
16A	3PDT	24VAC	.187"QC/Solder	Socket	Note #3	11	RM702524	2
16A	3PDT	12VDC	.187"QC/Solder	Socket	Note #3	11	RM702615	2
16A	3PDT	12VDC	.187"QC/Solder	Bracket		11	RM703012	2
16A	3PDT	24VDC	.187"QC/Solder	Bracket		11	RM703024	2
16A	3PDT	24VAC	.187"QC/Solder	Bracket		11	RM703524	----
16A	3PDT	115VAC	.250"QC	Bracket		11	RM703615	1
16A	3PDT	24VDC	.250"QC	Bracket		11	RM705024	1
16A	3PDT	24VAC	.250"QC	Bracket		11	RM705524	1
16A	3PDT	115VAC	.250"QC	Bracket		11	RM705615	1

Sockets for RM Relays

Description	Poles & Throws	Mounting Method	Terminal Type	PIN No	Part Number	Fig. No.
Socket with Faston Terminals	2&3 Pole	Thru-Panel	.187QC/Solder	11	RM78700	5
	2&3 Pole	Thru-Panel	Solder	11	RM78701	6
	2&3 Pole	Thru-Panel	.142" PCB	11	RM78702	7
	2&3 Pole	Panel/DIN	Screw	11	RM78705	8

Clips

Description	Poles & Throws	Mounting Method	Terminal Type	PIN No	Part Number	Fig. No.
Retaining Clip				11	RM28802	--
Retaining Clip for MRMT				11	MR28800	--
Retaining Clip for RT				11	RT6016	--

Note #1 - 27E460, 27E125, 27E162, 27E128, 27E212, 27E193, 27E342, 27E446

Note #2 - 27E163, 27E129, 27E194, 27E629, 27E461

Note #3 - RM78700, RM78701, RM78702, RM78705

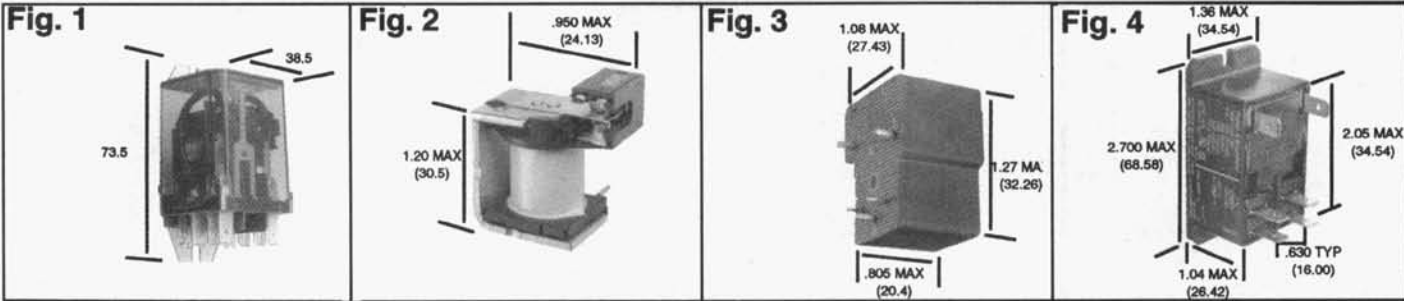
RELAYS

GENERAL PURPOSE

Featuring:



General Purpose/Relay Accessories/sockets/Heavy Duty Relays



Contact Rating	Poles &	Coil Volts Throws	Terminal Type	Mounting	Method	Pin Count	Part No.	Fig. No.
25A	DPDT	12VDC	.250"QC	Bracket		8	RM805012	1
25A	DPDT	24VDC	.250"QC	Bracket		8	RM805024	1
25A	DPDT	24VAC	.250"QC	Bracket		8	RM805524	1
25A	DPDT	115VDC	.250"QC	Bracket		8	RM805615	1
16A	SPDT	5VDC	PCB	PCB		5	RTD14005F	3
16A	SPDT	12VDC	PCB	PCB		5	RTD14012F	3
16A	SPDT	24VDC	PCB	PCB		5	RTD14024F	3
16A	SPDT	24VAC	PCB	PCB		5	RTD14524	3
16A	SPDT	115VAC	PCB	PCB		5	RDT14615	3
10A	DPDT	5VDC	PCB	PCB		8	RTE24005F	3
10A	DPDT	12VDC	PCB	PCB		8	RTE24012F	3
10A	DPDT	24VDC	PCB	PCB		8	RTE24024F	3
10A	DPDT	24VAC	PCB	PCB		8	RTE24524	3
10A	DPDT	115VAC	PCB	PCB		8	RTE24615	3
10A	SPDT	12VDC	PCB	PCB		5	T7NS5D1-12	----
10A	SPDT	24VDC	PCB	PCB		5	T7NS5D1-24	----
10A	SPDT	5VDC	PCB	PCB		5	T7NS5D1-05	----
30A	SPST-NO	12VDC	PCB	PCB		4	T90N1D12-12	2
30A	SPST-NO	24VDC	PCB	PCB		4	T90N1D12-24	2
30A	SPDT	12VDC	PCB	PCB		5	T90N5D12-12	2
30A	SPDT	24VDC	PCB	PCB		5	T90N5D12-24	2
30A	SPST-NO	12VDC	PCB	PCB		4	T90S1D12-12	3
30A	SPST-NO	24VDC	PCB	PCB		4	T90S1D12-24	3
30A	SPDT	12VDC	PCB	PCB		5	T90S1D12-12	3
30A	SPDT	24VDC	PCB	PCB		5	T90S1D12-24	3
30A	DPDT	6VDC		PCB	PCB	8	T92P11D22-6	4
30A		DPST-NO	120VAC	PCB	PCB	6	T92P7A22-120	4
30A		DPST-NO	24VAC	PCB	PCB	6	T92P7A22-24	4
30A	DPDT	6VDC		PCB	PCB	8	T92P7D22-12	4
30A	DPDT	6VDC		PCB	PCB	8	T92P7D22-24	4
30A	DPDT	6VDC		PCB	PCB	8	T92P7D22-6	4
30A	DPDT	120VAC	PCB	PCB		8	T92S11A12-120	----
30A	DPDT	12VDC	PCB	PCB		8	T92S11D12-12	----
30A	DPDT	24VDC	PCB	PCB		8	T92S11D12-24	----
30A	DPDT	6VDC	PCB	PCB		8	T92S11D12-6	----
30A	DPST-NO	120VAC	PCB	PCB		6	T92S7A12-120	----
30A	DPST-NO	12VDC	PCB	PCB		6	T92S7D12-12	----
30A	DPST-NO	24VDC	PCB	PCB		6	T92S7D12-24	----
30A	DPST-NO	6VDC	PCB	PCB		6	T92S7D12-6	----

Circuit Breakers Thermal/Magnetic

Fig. 1

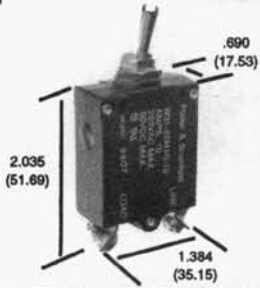


Fig. 2

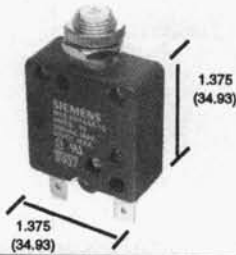


Fig. 3

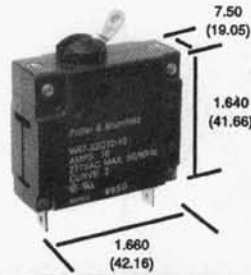
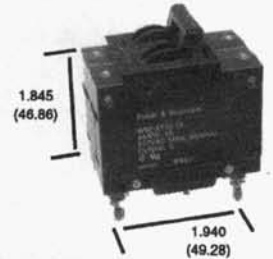


Fig. 4

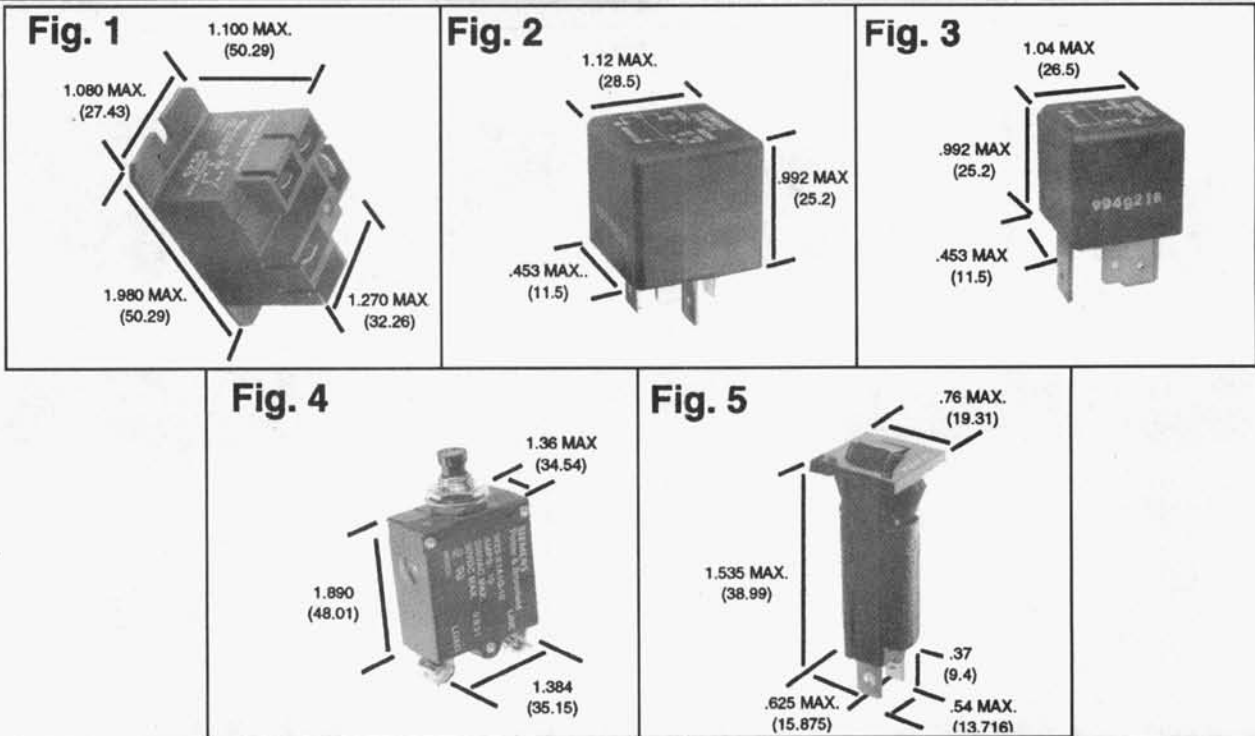


Contact Rating	Poles & Throws	Coil Volts	Terminal Type	Mounting Method	Features	Push Button	Flag No. ^o	Part No.	Fig. No.
10A	Single Poles	50VDC	Screw	Note #2		Toggle	----	W31-X2M1G-1	1
15A	Single Poles	50VDC	Screw	Note #2		Toggle	----	W31-X2M1G-10	1
2A	Single Poles	50VDC	Screw	Note #2		Toggle	----	W31-X2M1G-15	1
20A	Single Poles	50VDC	Screw	Note #2		Toggle	----	W31-X2M1G-2	1
25A	Single Poles	50VDC	Screw	Note #2		Toggle	----	W31-X2M1G-20	1
3A	Single Poles	50VDC	Screw	Note #2		Toggle	----	W31-X2M1G-25	1
30A	Single Poles	50VDC	Screw	Note #2		Toggle	----	W31-X2M1G-3	1
35A	Single Poles	50VDC	Screw	Note #2		Toggle	----	W31-X2M1G-30	1
40A	Single Poles	50VDC	Screw	Note #2		Toggle	----	W31-X2M1G-35	1
5A	Single Poles	50VDC	Screw	Note #2		Toggle	----	W31-X2M1G-40	1
50A	Single Poles	50VDC	Screw	Note #2		Toggle	----	W31-X2M1G-5	1
7.5A	Single Poles	50VDC	Screw	Note #2		Toggle	----	W31-X2M1G-50	1
1A	Single Poles	50VDC	.250"QC	Note #3		Toggle	----	W31-X2M1G-7.5	1
10A	Single Poles	50VDC	.250"QC	Note #3		Yes ²	Note#5	W58-XB1A4A-1	2
12A	Single Poles	50VDC	.250"QC	Note #3		Yes ²	Note#5	W58-XB1A4A-10	2
15A	Single Poles	50VDC	.250"QC	Note #3		Yes ²	Note#5	W58-XB1A4A-12	2
2A	Single Poles	50VDC	.250"QC	Note #3		Yes ²	Note#5	W58-XB1A4A-15	2
20A	Single Poles	50VDC	.250"QC	Note #3		Yes ²	Note#5	W58-XB1A4A-2	2
25A	Single Poles	50VDC	.250"QC	Note #3		Yes ²	Note#5	W58-XB1A4A-20	2
3A	Single Poles	50VDC	.250"QC	Note #3		Yes ²	Note#5	W58-XB1A4A-25	2
30A	Single Poles	50VDC	.250"QC	Note #3		Yes ²	Note#5	W58-XB1A4A-3	2
35A	Single Poles	50VDC	.250"QC	Note #3		Yes ²	Note#5	W58-XB1A4A-30	2
4A	Single Poles	50VDC	.250"QC	Note #3		Yes ²	Note#5	W58-XB1A4A-35	2
5A	Single Poles	50VDC	.250"QC	Note #3		Yes ²	Note#5	W58-XB1A4A-4	2
6A	Single Poles	50VDC	.250"QC	Note #3		Yes ²	Note#5	W58-XB1A4A-5	2
7A	Single Poles	50VDC	.250"QC	Note #3		Yes ²	Note#5	W58-XB1A4A-6	2
8A	Single Poles	50VDC	.250"QC	Note #3		Yes ²	Note#5	W58-XB1A4A-7	2
10A	Single Poles	277VAC	.250"QC	Screw ¹		Yes ²	Note#5	W58-XB1A4A-8	2
10A	Single Poles	277VAC	.250"QC	Screw ¹		Toggle	Note#5	W67-X2Q12-10	3
10A	Single Poles	65VDC	.250"QC	Screw ¹		Toggle	Note#5	W67-X2Q12-15	3
10A	Single Poles	277VAC	Screw	Screw ¹		Toggle	Note#5	W67-X2Q52.20	3
10A	Single Poles	277VAC	Screw	Screw ¹		Toggle	Note#5	W68-X2Q12-15	4
10A	Single Poles	277VAC	.250"QC	Screw ¹		Toggle	Note#5	W68-X2Q12-30	4
10A	Single Poles	277VAC	Screw	Screw ¹		Toggle	Note#5	W91-X112-5	3
10A	Single Poles	277VAC	Screw	Screw ¹		Toggle	Note#5	W92-X112-15	4

Note #2 - 3/8"-24/ Threaded Bushing .375 Toggle
 Note #3 - 7/16"x.500 Mounting Bushing Knurled Nut/Hex Nut
 Note #5 - Visual Trip Indication
¹ #5-32 Mounting Threads
² Push to Reset



General Purpose/Relay Accessories/sockets/Heavy Duty Relays



Contact Rating Throws	Poles &	Coil Volts	Terminal Type	Mounting Method	Avail.	Socket	Features Push Button	Flag No.	Pin Count	Part No.	Fig. No.
30A	SPST-NO	12VDC	.187"QC/.250"QC	Flange	---	---	---	---	4	T9AP1D52-12	1
30A	SPST-NO	24VDC	.187"QC/.250"QC	Flange	---	---	---	---	4	T9AP1D52-24	1
30A	SPDT	12VDC	.187"QC/.250"QC	Flange	---	---	---	---	5	T9AP5D52-12	1
30A	SPDT	24VDC	.187"QC/.250"QC	Flange	---	---	---	---	5	T9AP5D52-24	1
30A	SPST-NO	12VDC	PCB	PCB	---	---	---	---	4	T9AS1D12-12	1
30A	SPST-NO	24VDC	PCB	PCB	---	---	---	---	4	T9AS1D12-24	1
30A	SPST-NO	12VDC	PCB&.250QC	PCB	---	---	---	---	4	T9AS1D22-12	1
30A	SPST-NO	12VDC	PCB&.250QC	PCB	---	---	---	---	4	T9AS1D22-24	1
1A	DPDT	12VDC	PCB	PCB	---	---	---	---	8	V23105A3003B201	---
60A	SPST-NO	12VDC	.250"QC	Plug-In	Yes ¹	---	---	---	4	VF4-11F11	2
60A	SPDT	12VDC	.250"QC	Plug-In	Yes ¹	---	---	---	5	VF4-15F11	2
60A	SPST-NO	12VDC	.250"QC	Bracket	Yes ¹	---	---	---	4	VF4-41F11	2
60A	SPDT	12VDC	.250"QC	Bracket	Yes ¹	---	---	---	5	VF4-45F11	2
70A	SPST-NO	12VDC	.375"QC	Plug-In	Yes ¹	---	---	---	4	VF7-11F11	2
1A	Single Poles	50VDC	Screw #8-32	Note #1	---	---	Push-Pull	Note#4	---	W23X1A1G-1	4
10A	Single Poles	50VDC	Screw #8-32	Note #1	---	---	Push-Pull	Note#4	---	W23X1A1G-10	4
15A	Single Poles	50VDC	Screw #8-32	Note #1	---	---	Push-Pull	Note#4	---	W23X1A1G-15	4
2A	Single Poles	50VDC	Screw #8-32	Note #1	---	---	Push-Pull	Note#4	---	W23X1A1G-2	4
20A	Single Poles	50VDC	Screw #8-32	Note #1	---	---	Push-Pull	Note#4	---	W23X1A1G-20	4
25A	Single Poles	50VDC	Screw #8-32	Note #1	---	---	Push-Pull	Note#4	---	W23X1A1G-25	4
3A	Single Poles	50VDC	Screw #8-32	Note #1	---	---	Push-Pull	Note#4	---	W23X1A1G-3	4
30A	Single Poles	50VDC	Screw #8-32	Note #1	---	---	Push-Pull	Note#4	---	W23X1A1G-30	4
35A	Single Poles	50VDC	Screw #8-32	Note #1	---	---	Push-Pull	Note#4	---	W23X1A1G-35	4
40A	Single Poles	50VDC	Screw #8-32	Note #1	---	---	Push-Pull	Note#4	---	W23X1A1G-40	4
5A	Single Poles	50VDC	Screw #8-32	Note #1	---	---	Push-Pull	Note#4	---	W23X1A1G-5	4
50A	Single Poles	50VDC	Screw #8-32	Note #1	---	---	Push-Pull	Note#4	---	W23X1A1G-50	4
7.5A	Single Poles	50VDC	Screw #8-32	Note #1	---	---	Push-Pull	Note#4	---	W23X1A1G-7.5	4
0.25A	Single Poles	32VDC	.250"QC	Panel	---	---	Push/Reset	Note#5	---	W28-XQ1A-0.25	---
0.50A	Single Poles	32VDC	.250"QC	Panel	---	---	Push/Reset	Note#5	---	W28-XQ1A-0.50	5
0.75A	Single Poles	32VDC	.250"QC	Panel	---	---	Push/Reset	Note#5	---	W28-XQ1A-0.75	5
1A	Single Poles	32VDC	.250"QC	Panel	---	---	Push/Reset	Note#5	---	W28-XQ1A-1	5
10A	Single Poles	32VDC	.250"QC	Panel	---	---	Push/Reset	Note#5	---	W28-XQ1A-10	5
12A	Single Poles	32VDC	.250"QC	Panel	---	---	Push/Reset	Note#5	---	W28-XQ1A-12	5
15A	Single Poles	32VDC	.250"QC	Panel	---	---	Push/Reset	Note#5	---	W28-XQ1A-15	5
2A	Single Poles	32VDC	.250"QC	Panel	---	---	Push/Reset	Note#5	---	W28-XQ1A-2	5
20A	Single Poles	32VDC	.250"QC	Panel	---	---	Push/Reset	Note#5	---	W28-XQ1A-20	5
3A	Single Poles	32VDC	.250"QC	Panel	---	---	Push/Reset	Note#5	---	W28-XQ1A-3	5
4A	Single Poles	32VDC	.250"QC	Panel	---	---	Push/Reset	Note#5	---	W28-XQ1A-4	5
5A	Single Poles	32VDC	.250"QC	Panel	---	---	Push/Reset	Note#5	---	W28-XQ1A-5	5
6A	Single Poles	32VDC	.250"QC	Panel	---	---	Push/Reset	Note#5	---	W28-XQ1A-6	5
7A	Single Poles	32VDC	.250"QC	Panel	---	---	Push/Reset	Note#5	---	W28-XQ1A-7	5
8A	Single Poles	32VDC	.250"QC	Panel	---	---	Push/Reset	Note#5	---	W28-XQ1A-8	5
10A	Single Poles	32VDC	.250"QC	Panel	---	---	Push/Reset	Note#5	---	W28-XQ1A-10	5
12A	Single Poles	32VDC	.250"QC	Panel	---	---	Push/Reset	Note#5	---	W28-XQ1A-12	5

Note #1- 3/8"-24/Threaded Bushing .375 Note #4- Reset Button in "On" position Note #5- Visual Trip Indication ¹Need to call

Indicator Plates/Boots



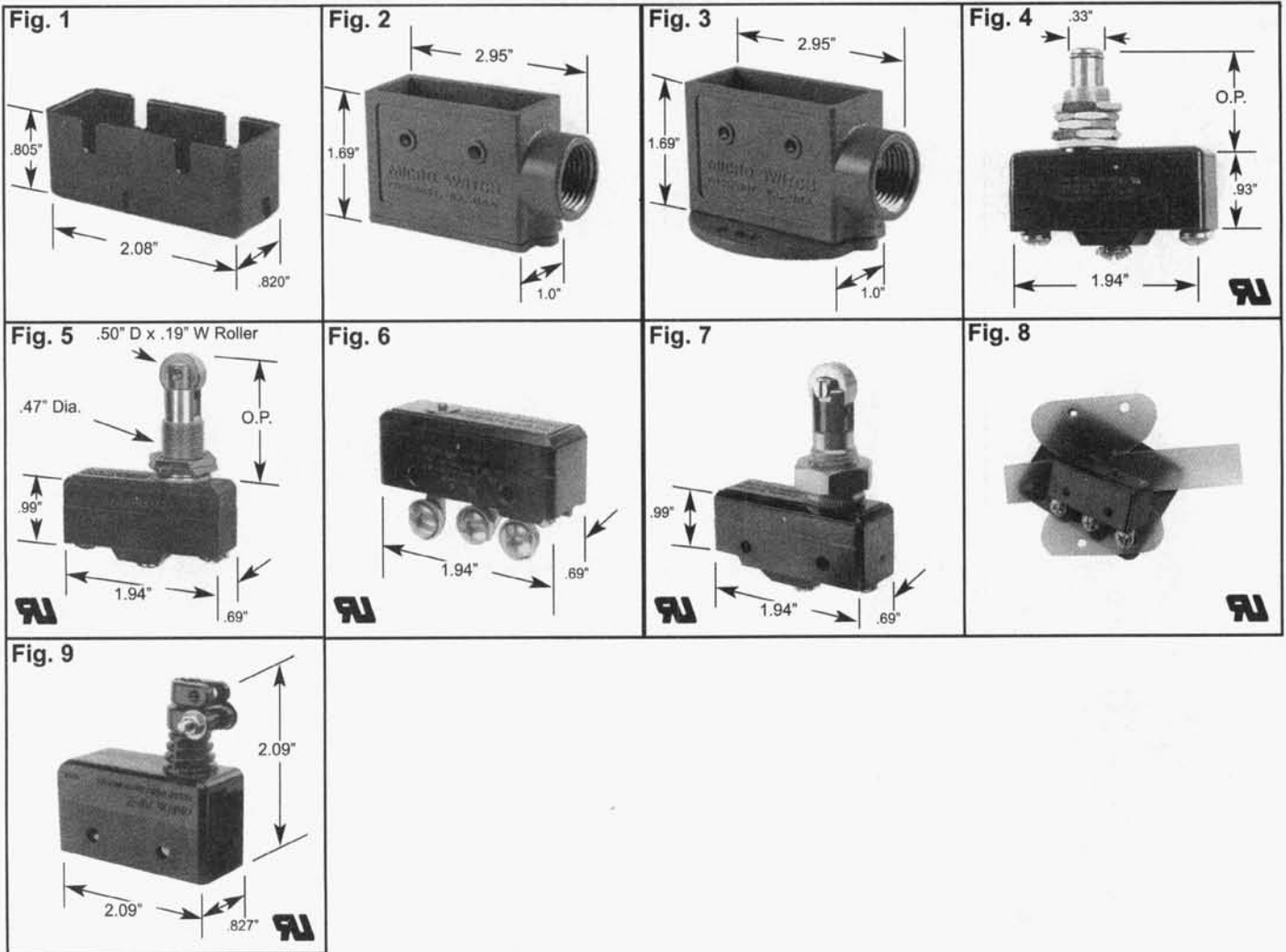
Indicator Plates

For Bushing Diameter	Mounting Direction	Description	Material	Part Number	Figure No.
15/32"	Vertical	ON - OFF Imprinting 2 Position	Stainless Steel	SS6747	1
15/32"	Vertical	ON - OFF Imprinting	Stainless Steel	SS6764	1
15/32"	----	ON - OFF Locking Guard	Stainless Steel	SS7293	2
15/32"	----	Bushing Nut, Hex	Stainless Steel	SS8602	3
15/32"	----	Locking Ring	Stainless Steel	SS15946	4

Switch Boots

Description	Material	Thread Size Inches-mm	Height Inches-mm	Mil Spec.	Part Number	Fig. No.
For 2-Position Toggle Switches	Silicone Rubber	15/32 - 32NS	.875" - 22,23	M5423/01-01	SSAN103	5
For 3-Position Toggle Switches	Silicone Rubber	15/32 - 32NS	.938" - 23,81	----	SSAN105 SS520	5
For 3-Position Toggle Switches	PVC w/ Internal Plastic Nut	15/32 - 32NS	.984" - 25,0	----	SS105GC	6
Open Throat for Toggle Switches	Silicone Rubber	15/32 - 32NS	.547" - 13,89	M5423/02-01	SSBN103	7
For Miniature Toggle Switches "S" Style Code	Silicone Rubber	1/4 - 40NS	.50" - 12,7	----	SSAN107	8
For Pushbutton Switches	Silicone Rubber	15/32 - 32NS	.125" - .313" 3,18 - 7,94	M5423/07-01	SSAN303	9
For Pushbutton Switches	Silicone Rubber	----	.313" - .437" 7,94 - 11,11	M5423/07-02	SSNC303	10

Accessories/Replacement Parts



Plastic Terminal Enclosure

Description	Part Number	Fig. No.
For BA/BZ screw Terminal switches	5PA2	1

Die Cast Zinc Enclosure

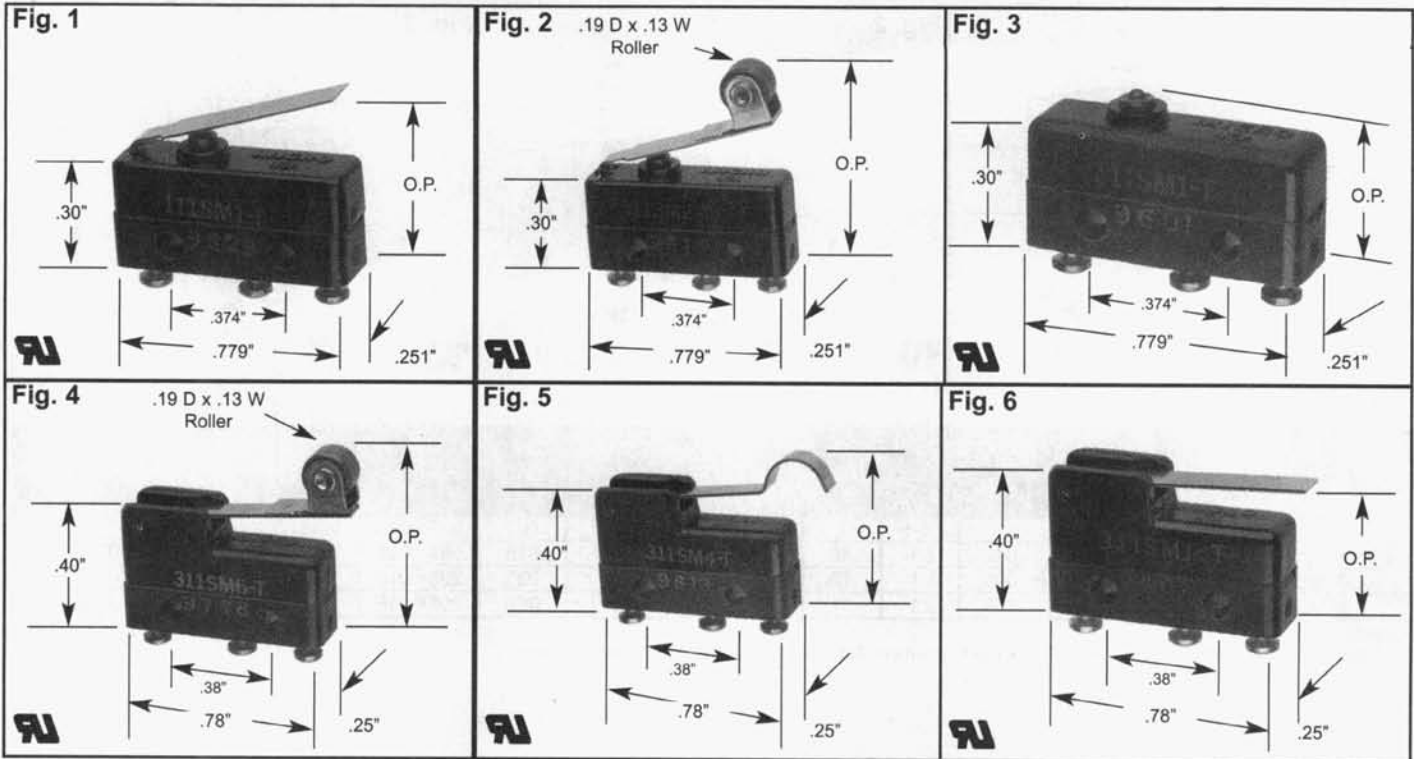
Description	Part Number	Fig. No.
Flange mount enclosure-switch is first secured in enclosure; two 0.712" (4,37mm) dia. holes in the flange accept No. 8 machine screws for mounting. Width of base is 2.125"(54mm) & mounting hole centers are 1.625"(41,3mm) apart	3PA1	2
	3PA2	3

Replacement Parts

Actuator Style	Ratings	O.F. (Oz)	R.F. (Oz)	P.T. Max (in)	O.T. Min. (in)	D.T. (in)	O.P. (in)	Part Number	Fig. No.
Overtravel Plunger	15 Amps*	9 - 13	4	.015	.125	.0004-.0020	1.906+.020	BZ-2RN702	4
Roller Plunger	15 Amps*	9 - 13	---	.015	.140	.002	1.953+.045	BZ-2RQ784	5
Roller Plunger	15 Amps*	10 - 18	---	.188	.219	.006	---	BZ-2RQ68	5
Straight Plunger	15 Amps*	9 - 13	---	.015	.219	.002	1.500+.030	BZ-2RQ66	4
Straight Plunger	15 Amps*	9 - 24	---	.078	.219	.002	1.179+.030	BZ-2RQ77	4
Switching Unit	---	---	---	---	---	---	---	BZ-2R-P1	6
Switching Unit	---	---	---	---	---	---	---	BZ-2RQ69	7
Switching Unit	---	---	---	---	---	---	---	BZ-2R708-P7	8
Switching Unit	---	---	---	---	---	---	---	SS70-11	9

* SPDT; 15A-125, 250 or 480 VAC; 2 Amps, 600 VAC; 1/8 Hp-125 VAC; 1/2 A-125 VDC; 1/4 A-250 VDC; UL Code L74.

SM Subminiature Basic Precision Switches



Actuator Style	Ratings	Length of Lever	O.F. (Oz)	R.F. (Oz)	P.T. Max (in)	O.T. Min. (in)	D.T. (in)	O.P. (in)	Termination	Part Number	Fig. No.
Flexible Leaf Actuator	5 Amps ¹	----	7	2	.218	.030	.030	.350±.030	Solder	111SM1	1
Flexible Leaf Actuator	5 Amps ¹	----	7	2	.218	.030	.030	.350±.030	Wire Wrap	111SM1-T	1
Flexible Leaf Roller	5 Amps ¹	----	7	2	.219	.030	.025	.562±.030	Wire Wrap	111SM2-T	2
Pin Plunger	5 Amps ¹	----	3-5	1	.020	.005	.004	.330±.015	Wire Wrap	111SM1-T	3
Roller Lever	5 Amps ¹	.251"	1.4	.25	.085	.018	.019	.560±.060	Wire Wrap	111SM6-T	4
Simulated Roller Lever	5 Amps ¹	.251"	1.4	.25	.085	.018	.019	.460±.060	Wire Wrap	311SM4-T	5
Straight Lever	5 Amps ¹	.285"	1.4	.25	.085	.020	.019	.340±.060	Wire Wrap	311SM1-T	6
Straight Lever	5 Amps ¹	1.765"	.53	.07	.310	.057	.110	.280±.170	Wire Wrap	311SM3-T	6

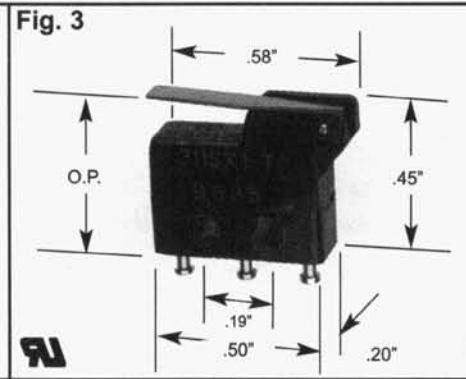
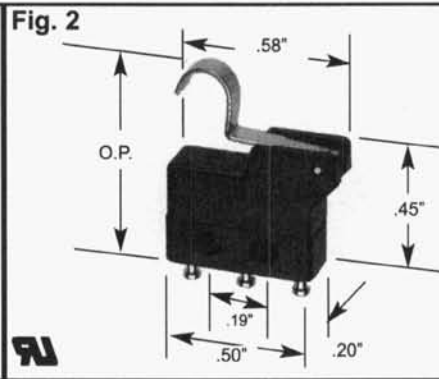
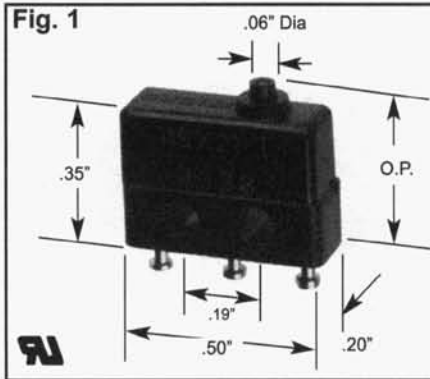
CHARACTERISTICS:
O.F. - Operating Force; R.F. - Release Force; P.T. - Pretravel; O.T. - Overtravel; D.T. - Differential Travel; O.P. - Operating Position.
1 SPDT; UL Rating: 5 Amps, 250 VAC.



"Never tell people how to do things. Tell them what to do and they will surprise you with their ingenuity."

—George Patton

SX Subminiature Basic Precision Switches



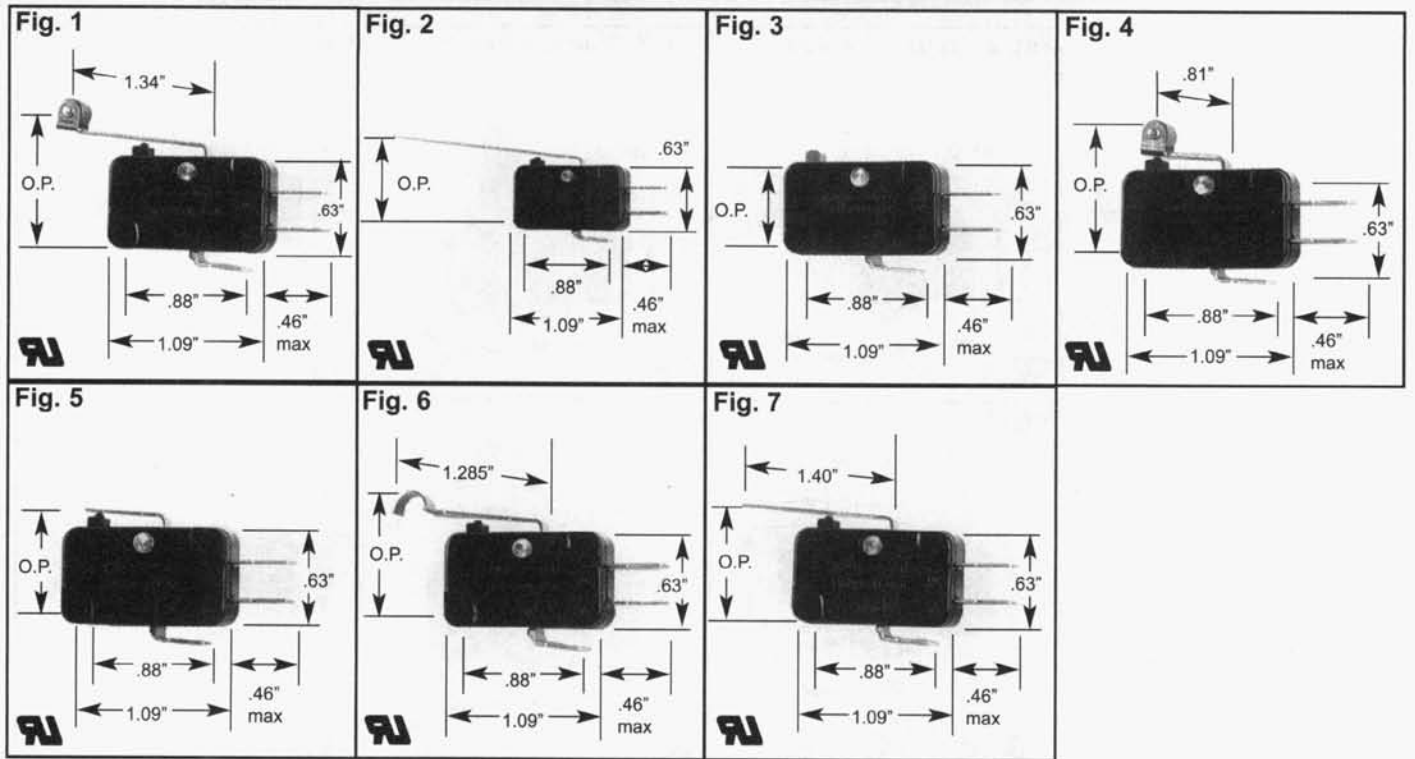
Actuator Style	Ratings	Length of Lever	O.F. (Oz)	R.F. (Oz)	P.T. Max (in)	O.T. Min. (in)	D.T. (in)	O.P. (in)	Termination	Part Number	Fig. No.
Pin Plunger	5 Amps ¹	---	2.5-5	1	.020	.004	.002	.320+.015	Wire Wrap	11SX21-T	1
Simulated Roller Lever	5 Amps ¹	.042	2.1	.39	.050	.010	.015	.557+.036	Wire Wrap	311SX4-T	2
Straight Lever	5 Amps ¹	.505	1.1	.18	.115	.025	.035	.325+.075	Wire Wrap	311SX2-T	3
Straight Lever	5 Amps ¹	.965	.71	.11	.185	.024	.060	.305+.115	Wire Wrap	311SX3-T	3

CHARACTERISTICS:
O.F. - Operating Force; R.F. - Release Force; P.T. - Pretravel; O.T. - Overtravel; D.T. - Differential Travel; O.P. - Operating Position.
1 SPDT; UL Rating: 5 Amps, 250 VAC.



"Small opportunities are often the beginning of great enterprises."
— Demosthenes

V3 Miniature Basic Precision Switches



Actuator Style	Ratings	Length of Lever	O.F. (Oz)	R.F. (Oz)	P.T. Max (in)	O.T. Min. (in)	D.T. (in)	O.P. (in)	Part Number	Fig. No.
Long Roller Lever	11 Amps ¹	1.34	4	.5	.125	.085	.050	.810±.060	V3L-111-D8	1
Long Straight Lever	10 Amps ³	2.34	.57	.04	.200	.160	.055	.600±.070	V3L-2106-D8	2
Long Straight Lever	11 Amps ¹	2.34	2.1	.42	.260	.150	.090	.580±.080	V3L-131-D8	2
Long Straight Lever	15.1 Amps ²	2.34	4	.50	2.60	1.50	.090	.565±.060	V3L-6-D8	2
Pin Plunger	10 Amps	----	2.6	.35	.047	.050	.002 - .010	.578	V3-1101-D8	3
Pin Plunger	11 Amps ¹	----	8 max.	2	.047	.040	.006 - .016	.578±.015	V3-101	3
Pin Plunger	11 Amps ¹	----	8 max.	2	.047	.040	.006 - .016	.578±.015	V3-101-D9	3
Pin Plunger	11 Amps ¹	----	8 max.	2	.047	.040	.006 - .016	.578±.015	V3-101-D8	3
Pin Plunger	15.1 Amps ²	----	6 - 14	4	.047	.040	.006 - .016	.578±.015	V3-1-D8	3
Pin Plunger	15.1 Amps	----	6 - 14	4	.047	.040	.006 - .016	.578±.015	V3-1	3
Pin Plunger	25 Amps ⁴	----	7.9	1.1	.047	.050	.002 - .010	.578±.015	V3-2900-D9	3
Roller Lever	11 Amps ¹	.81	8	2	.060	.040	.016	.810±.030	V3L-139-D8	4
Roller Lever	15.1 Amps ²	.134	3.2	.5	.125	.085	.030	.810±.030	V3L-3004-D8	4
Roller Lever	15.1 Amps ²	.81	14	3	.060	.040	.016	.810±.030	V3L-3-D8	4
Roller Lever	15.1 Amps ²	.81	14	3	.060	.040	.016	.810±.030	V3L-3	4
Short Straight Lever	11 Amps ¹	.860	94	22	.060	.040	.061	.600±.020	V3L-101-D8	5
Simulated Roller Lever	15.1 Amps ²	1.285	2.6	.21	.100	.080	.030	.730±.060	V3L-3014-D8	6
Straight Lever	10 Amps ³	1.40	1.1	.07	.110	.090	.030	.600±.060	V3L-2102-D8	7
Straight Lever	11 Amps ¹	1.40	4	.5	.125	.090	.050	.600±.060	V3L-104-D8	7

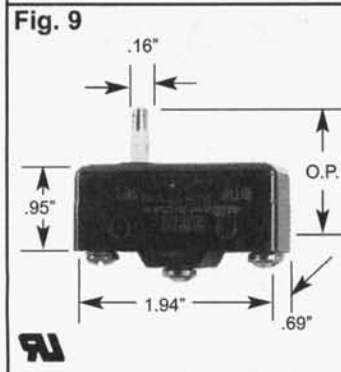
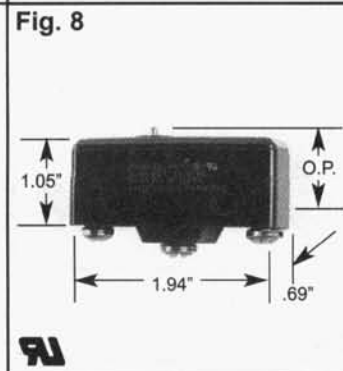
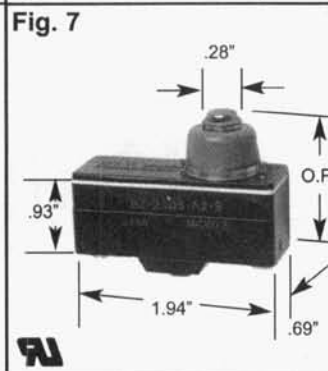
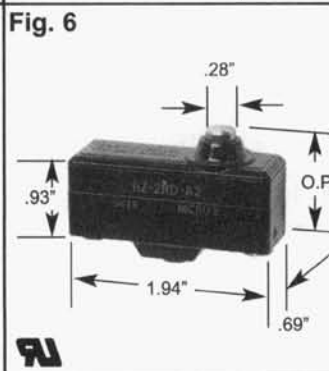
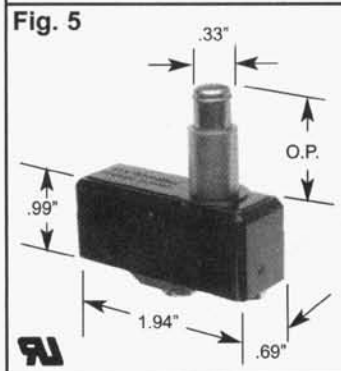
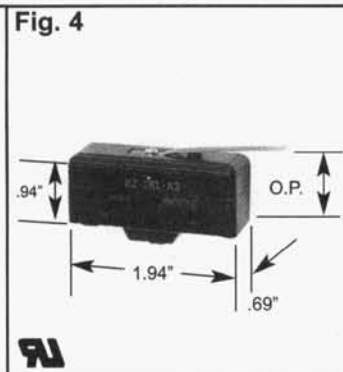
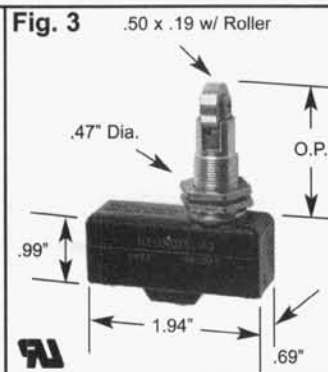
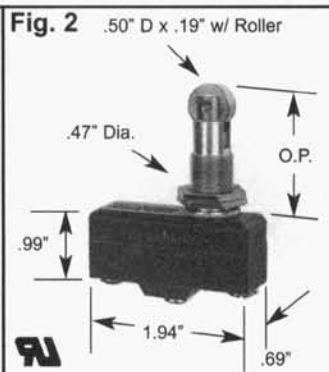
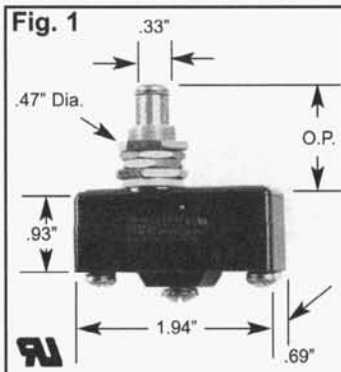
CHARACTERISTICS:

O.F. - Operating Force; R.F. - Release Force; P.T. - Pretravel; O.T. - Overtravel; D.T. - Differential Travel; O.P. - Operating Position.
¹ SPDT; UL/CSA Rating: 11 Amps & 1/3 Hp, 125, 250 or 277 VAC; 1/2 Amp, 125 VDC; 1/4 Amp, 250 VDC; 4 Amps, 125 VAC "L" (Lampload).
² SPDT; UL/CSA Rating: 15.1 Amps & 1/2 Hp, 125 or 250 VAC; 1/2 Amp, 125 VDC; 1/4 Amp, 250 VDC; 5 Amps, 120 VAC "L" (Lampload).
³ SPDT; UL/CSA Rating: 10 Amps & 1/4 Hp, 125 or 250 VAC; 1/2 Amp, 125 VDC; 1/4 Amp, 250 VDC; 3 Amps, 125 VAC "L" (Lampload).
⁴ SPDT; UL Rating: 25 Amps, 277 VAC; 1 Hp, 125 VAC; 2 Hp, 250 VAC.

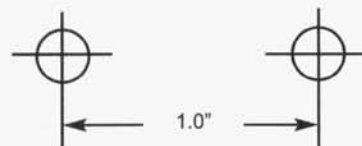
TERMINATION:

D8 Quick Connect Terminals .188" wide x .020" thick.
D9 Quick Connect Terminals .250" wide x .032" thick.

BZ Basic Precision Switches



Mounting Hole Dimension:

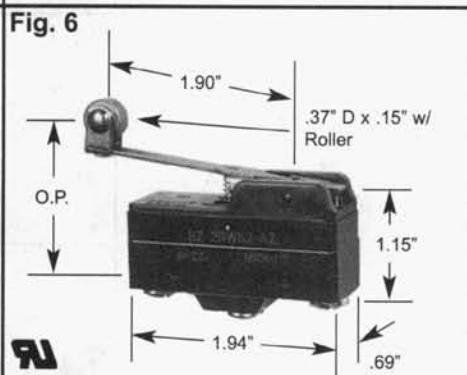
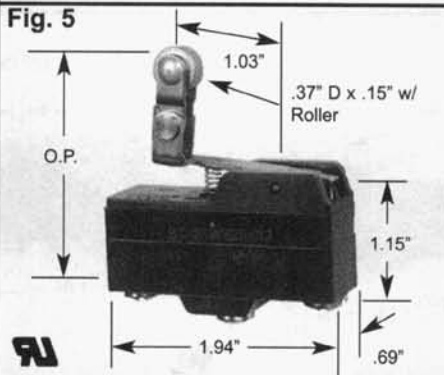
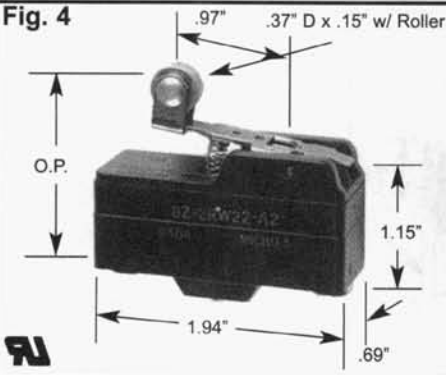
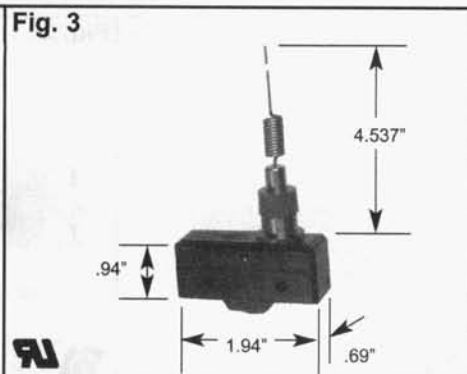
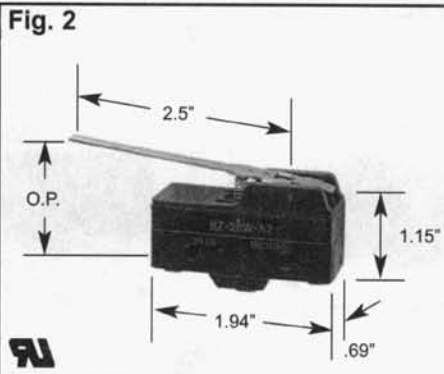
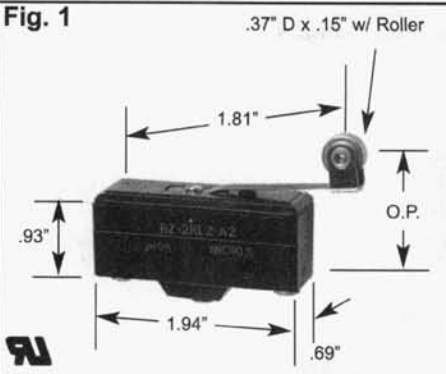


Actuator Style	Ratings	O.F. (Oz)	R.F. (Oz)	P.T. Max (in)	O.T. Min. (in)	D.T. (in)	O.P. (in)	Part Number*	Fig. No.
15/32" 32NS Bushing Mount Overtravel Plunger	15 Amps ¹	9 - 13	4	.015	.219	.0004 - .0020	.859±.030	BZ-2RQ1-A2	1
15/32" 32NS Bushing Mount Overtravel Roller Plunger	15 Amps ¹	9 - 13	4	.015	.140	.0004 - .0020	1.312±.045	BZ-2RQ18-A2	2
15/32" 32NS Bushing Mount Overtravel Cross Roller Plunger	15 Amps ¹	9 - 13	4	.015	.140	.0004 - .0020	1.312±.045	BZ-2RQ181-A2	3
Flexible Leaf	15 Amps ¹	5	0.5	----	.060	.050	.688±.030	BZ-2RL-A2	4
Overtravel Plunger	15 Amps ¹	9 - 13	4	.015	.219	.0004 - .0020	1.500±.020	BZ-2RQ-A2	5
Large Overtravel Plunger	15 Amps ¹	9 - 13	4	.015	.060	.0004 - .0020	.835±.020	BZ-2RD-A2	6
Large Sealed Overtravel Plunger	15 Amps ¹	13 - 19	4	----	.062	.0004 - .0025	1.110±.020	BZ-2RDS-A2-S	7
Pin Plunger	15 Amps ¹	9 - 13	4	.015	.005	.0004 - .0020	.625±.015	BZ-2R-A2	8
Small Overtravel Plunger	15 Amps ¹	9 - 13	4	.015	.060	.0004 - .0025	1.110±.020	BZ-2RS-A2	9

CHARACTERISTICS:
O.F. - Operating Force; R.F. - Release Force; P.T. - Pretravel; O.T. - Overtravel; D.T. - Differential Travel; O.P. - Operating Position.
1 SPDT; UL Rating: 5 Amps, 250 VAC.

* **TERMINATION:**
A2 Bottom facing 6-32 NC x .218" screw with cup washers.

BZ Basic Precision Switches (Con't.)

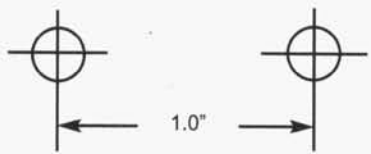


Actuator Style	Ratings	O.F. (Oz)	R.F. (Oz)	P.T. Max (in)	O.T. Min. (in)	D.T. (in)	O.P. (in)	Part Number*	Fig. No.
Flexible Roller Leaf	15 Amps ¹	5	0.5	----	.060	.050	1.125±.030	BZ-2RL2-A2	1
One-Way Roller Lever	15 Amps ¹	6	1.5	----	.094	.003 - .020	1.625±.015	BZ-2RW826-A2	5
One-Way Roller Lever	15 Amps ¹	8	1.5	----	.060	.015	1.14±.015	BZ-2RW825-A2	5
Roller Lever	15 Amps ¹	3.5	0.75	----	.156	.004 - .040	1.188±.030	BZ-2RW82-A2	6
Short Roller Lever	15 Amps ¹	6	1.5	----	.094	.003 - .020	1.188±.015	BZ-2RW822-A2	4
Short Roller Lever	15 Amps ¹	6	1.5	----	.094	.003 - .020	1.188±.015	BZ-2RW822	4
Short Roller Lever	15 Amps ¹	6	1.5	----	.094	.003 - .020	1.188±.015	BZ-2RW82255-A2-S	4
Spring Wire Lever	15 Amps ¹	----	----	----	----	----	----	BZ-2RQ232-A2	3
Straight Lever	15 Amps ¹	1	----	----	.578	.018 - .145	.750±.060	BZ-2RW863-A2	2
Straight Lever	15 Amps ¹	1	0.125	.328	.216	.007 - .050	.750±.030	BZ-2RW84-A2	2
Straight Lever	15 Amps ¹	2.5	0.5	----	.219	.007 - .050	.750±.030	BZ-2RW80-A2	2
Straight Lever (Adjustable)	15 Amps ¹	2.5	0.5	----	.125	.007 - .050	.670±.880	BZ-2RW899-A2	2

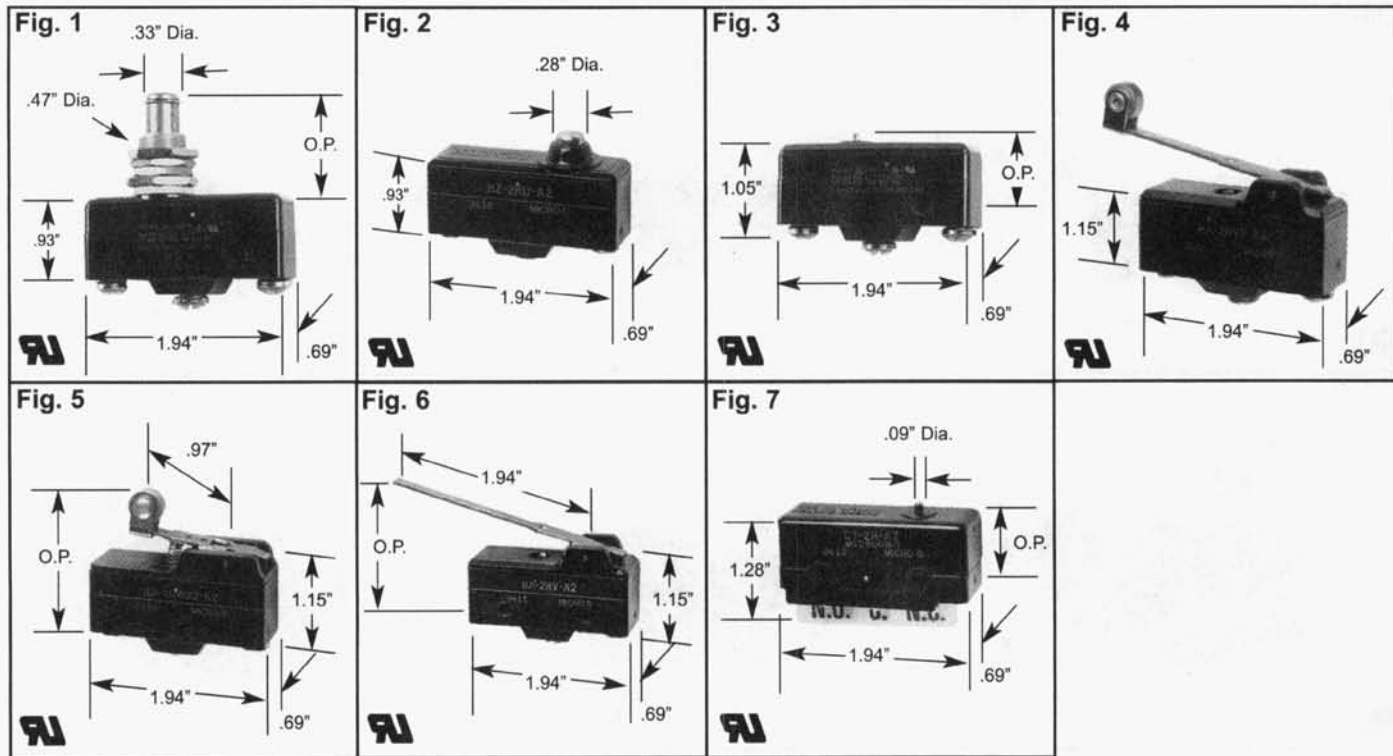
CHARACTERISTICS:
O.F. - Operating Force; R.F. - Release Force; P.T. - Pretravel; O.T. - Overtravel; D.T. - Differential Travel; O.P. - Operating Position.
1 SPDT; 15A-125, 250 or 480 VAC; 1/8 Hp-125 VAC; 1/4 Hp-250 VAC; 1/2 A-125 VDC; UL Code

* **TERMINATION:**
A2 Bottom facing 6-32 NC x .218" screw with cup washers.

Mounting Hole Dimension:



BA/DT Series Basic Precision Switches



BA Series Switches

Actuator Style	Ratings	O.F. (Oz)	R.F. (Oz)	P.T. Max (in)	O.T. Min. (in)	D.T. (in)	O.P. (in)	Part Number	Fig. No.
15/32" 32NS Bushing Mount Overtravel Plunger	20 Amps ¹	14 - 22	10	.050	.219	.0020 - .0075	.859±.015	BA-2RQ1-A2	1
Large Overtravel Plunger	20 Amps ¹	14 - 22	10	.050	.094	.0020 - .0075	1.03±.020	BA-2RB-A2	2
Pin Plunger	20 Amps ¹	14 - 22	10	.050	.010	.0020 - .0075	.640±.015	BA-2R-A2	3
Roller Lever	20 Amps ¹	3.5	0.5	.468	.060	.085	1.188±.030	BA-2RV2-A2	4
Short Roller Lever	20 Amps ¹	6	1.5	.250	.030	.045 max	1.172±.015	BA-2RV22-A2	5
Straight Lever	20 Amps ¹	2.5	0.5	.625	.078	.109	.750±.030	BA-2RV-A2	6

DT Double-Pole Double-Throw Switch

Actuator Style	Ratings	O.F. (Oz)	R.F. (Oz)	P.T. Max (in)	O.T. Min. (in)	D.T. (in)	O.P. (in)	Part Number	Fig. No.
Pin Plunger	10 Amps ²	12 - 20	2	.075	.005	.040 - .060	.615	DT-2R-A7	7

CHARACTERISTICS:

O.F. - Operating Force; R.F. - Release Force; P.T. - Pretravel; O.T. - Overtravel; D.T. - Differential Travel; O.P. - Operating Position.

¹ SPDT; 20 Amps 125, 250 or 480 VAC; 10 Amps 125 VAC; "T" (Tungsten lamp load), 1 Hp-125VAC; 2 Hp-250 VAC; 1/2 Amp 125 VDC; 1/4 A-250 VDC; UL Code L23.

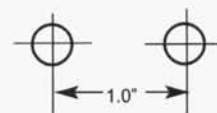
² DPDT; 10 Amps 125 or 250 VAC; 0.3 Amp 125 VDC; 0.15 Amp 250 VDC.

TERMINATION:

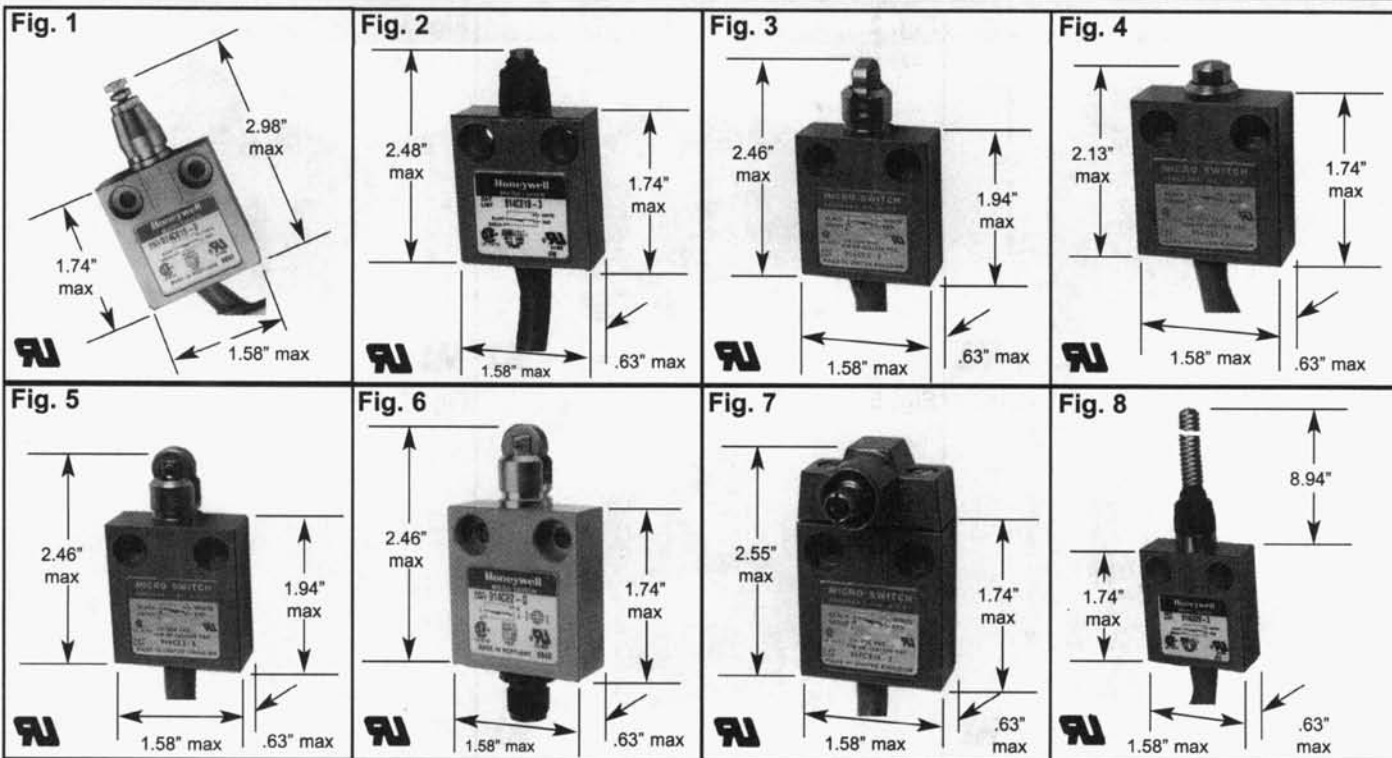
A2 Bottom facing 6-32 NC x .218" screw with cup washers.

A7 4-40 UNC x .125" screw with lockwasher.

Mounting Hole Dimension:



914CE Miniature Pre-Wired Enclosed Switches



Actuator Style	Ratings	NEMA	O.F. Max Pounds	P.T. Max Inches	O.T. Min. Inches	D.T. Max Inches	Part Number	Fig. No.
Adjustable Plunger	5 Amps ¹	1,3,4,6,6P,12,13	5.0	.071	.118	.004	914CE19-3	1
Boot Sealed Plunger	5 Amps ¹	1,3,4,12,13	5.0	.071	.118	.004	914CE18-3**2	2
Cross Roller Plunger	5 Amps ¹	1,3	2.75	.071	.118	.004	914CE3-3**	3
Plunger	5 Amps ¹	1,3	2.75	.071	.118	.004	914CE1-3**	4
Roller Plunger	5 Amps ¹	1,3	2.75	.071	.118	.004	914CE2-3**	5
Roller Plunger	5 Amps ¹	1,3	2.75	.071	.118	.004	914CE2-Q	6
Side Rotary*	5 Amps ¹	1,3,4,12,13	3 in. lbs.	300°	40°	3°	914CE16-3**	7
Spring Wire Wobble Actuator	5 Amps ¹	1,3,4,12,13	2 Oz.	---	---	---	914CE20-3**	8

Rating	Circuitry	Load	Amps	
			Make	Break
1	Single-Pole, Double Throw	120 VAC, inductive	7.5	1.2
		240 VAC, inductive	1.2	0.2
		240 VAC, resistive	5.0	5.0
		28 VDC, inductive	3.0	3.0
		28 VDC, resistive	3.0	3.0
		UL Rating: 5 Amps, 1/10 Hp, 125 or 250 VAC		

CHARACTERISTICS:

O.F. - Operating Force; R.F. - Release Force; P.T. - Pretravel; O.T. - Overtravel; D.T. - Differential Travel; O.P. - Operating Position.

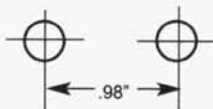
* Switch operates on clockwise and counter-clockwise rotation of the lever shaft.

** These listings have 0, 91m (3 ft.) cable. To order 1,83m (6 ft.) cable, change the -3 to -6.

¹ Maximum height 2.48".

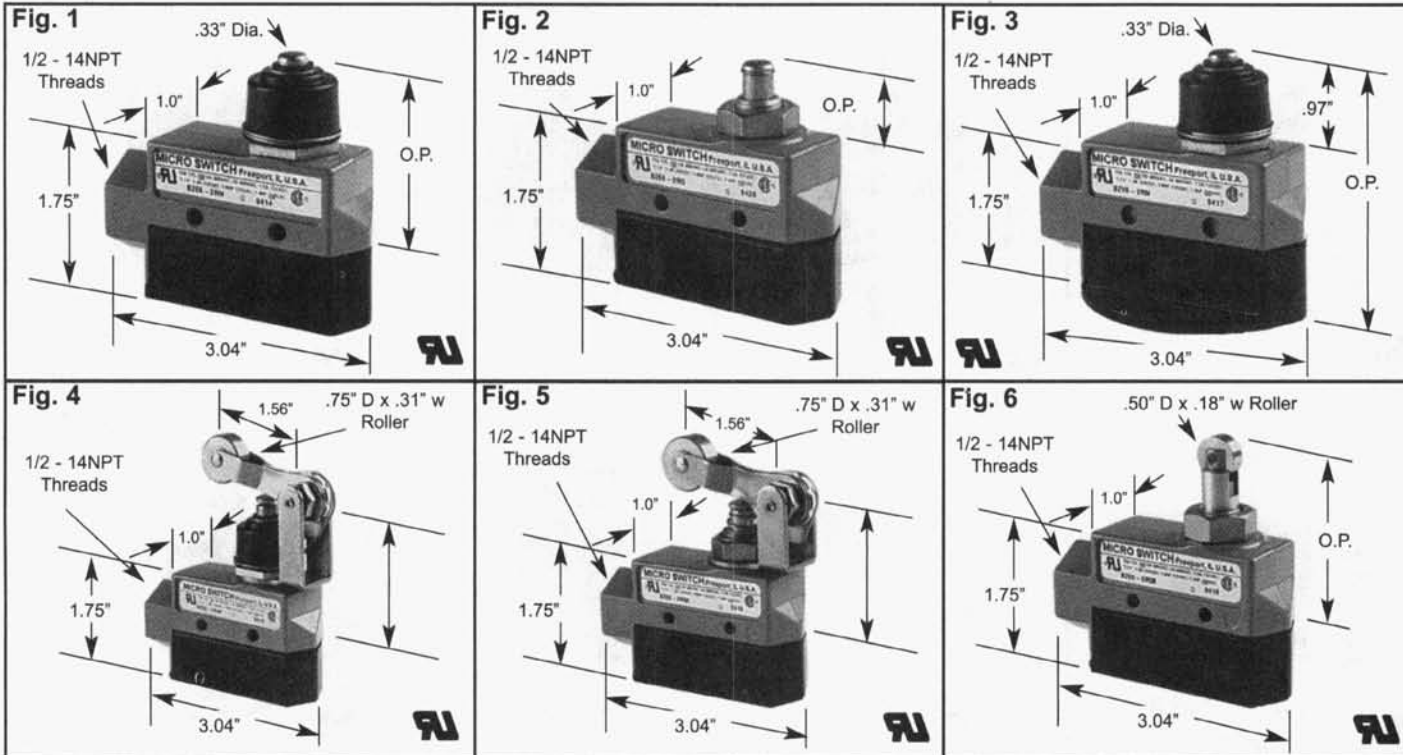
² Comply to NEMA 1, 3, and most to NEMA 3R, 4, 12 and 13.

Mounting Hole Dimension:



Compact Enclosed

E6/V6 Compact Enclosed Switches*



Actuator Style	Ratings	Mounting	O.F. (Oz)	P.T. Max (Inches)	O.T. Min. (Inches)	D.T. Max (Inches)	O.P. (Inches)	Part Number	Fig. No.
Roller Lever	10 Amps ²	Side	10 - 30	.266	.219	.165	----	DTE6-2RN2	4
Roller Lever	15 Amps ¹	Side	10 - 18	.188	.219	.006	----	BZE6-2RQ2	5
Roller Lever***	15 Amps ¹	Side	10 - 20	.188	.219	.006	----	BZE6-2RN2	4
Roller Lever***	15 Amps ¹	Flange*	10 - 20	.188	.219	.006	----	BZV6-2RN2	4**
Roller Plunger	15 Amps ¹	Side	9 - 13	.015	.140	.002	1.953.045	BZE6-2RQ8	6
Roller Plunger	15 Amps ¹	Flange	9 - 13	.015	.140	.002	2.953±.060	BZV6-2RQ8	6
Roller Plunger	15 Amps ¹	Side	9 - 13	.015	.219	.002	1.953±.045	BZE6-2RQ9	6
Roller Plunger***	15 Amps ¹	Side	9 - 24	.078	.219	.002	2.232±.045	BZE6-2RN80	6
Straight Plunger***	10 Amps ²	Side	26 - 59	.110	1.25	.060	1.812±.030	DTE6-2RN	1
Straight Plunger	15 Amps ¹	Side	9 - 13	.015	.219	.002	1.500±.030	BZE6-2RQ	2
Straight Plunger***	15 Amps ¹	Side	9 - 24	.078	.219	.002	1.179±.030	BZE6-2RN	1
Straight Plunger***	15 Amps ¹	Side	9 - 24	.078	.219	.002	1.719±.030	BZE6-2RN7	1
Straight Plunger	15 Amps ¹	Flange*	9 - 24	.078	.219	.002	2.720±.060	BZV6-2RN	3

Rating	Circuitry	Electrical Rating
1	Single-Pole, Double Throw	UL/CSA Rating: L74 15 Amps, 125, 250 or 480 VAC; 2 Amps, 600 VAC 1/8 Hp, 125 VAC; 1/4 Hp, 250 VAC; 1/2 Amp, 125 VDC; 1/4 Amp, 250 VDC
2	Double-Pole, Double-Throw	UL/CSA Rating: L59 10 Amps, 125 or 250 VAC; 0.3 Amp, 125 VDC; 0.15 Amp, 250 VDC.

CHARACTERISTICS:

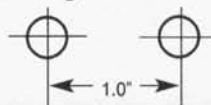
O.F. - Operating Force; R.F. - Release Force; P.T. - Pretravel; O.T. - Overtravel; D.T. - Differential Travel; O.P. - Operating Position.

* The mounting holes on the above switches are 1 inch apart for side mount and 1.63" apart (.17" Dia. holes) for flange mount.

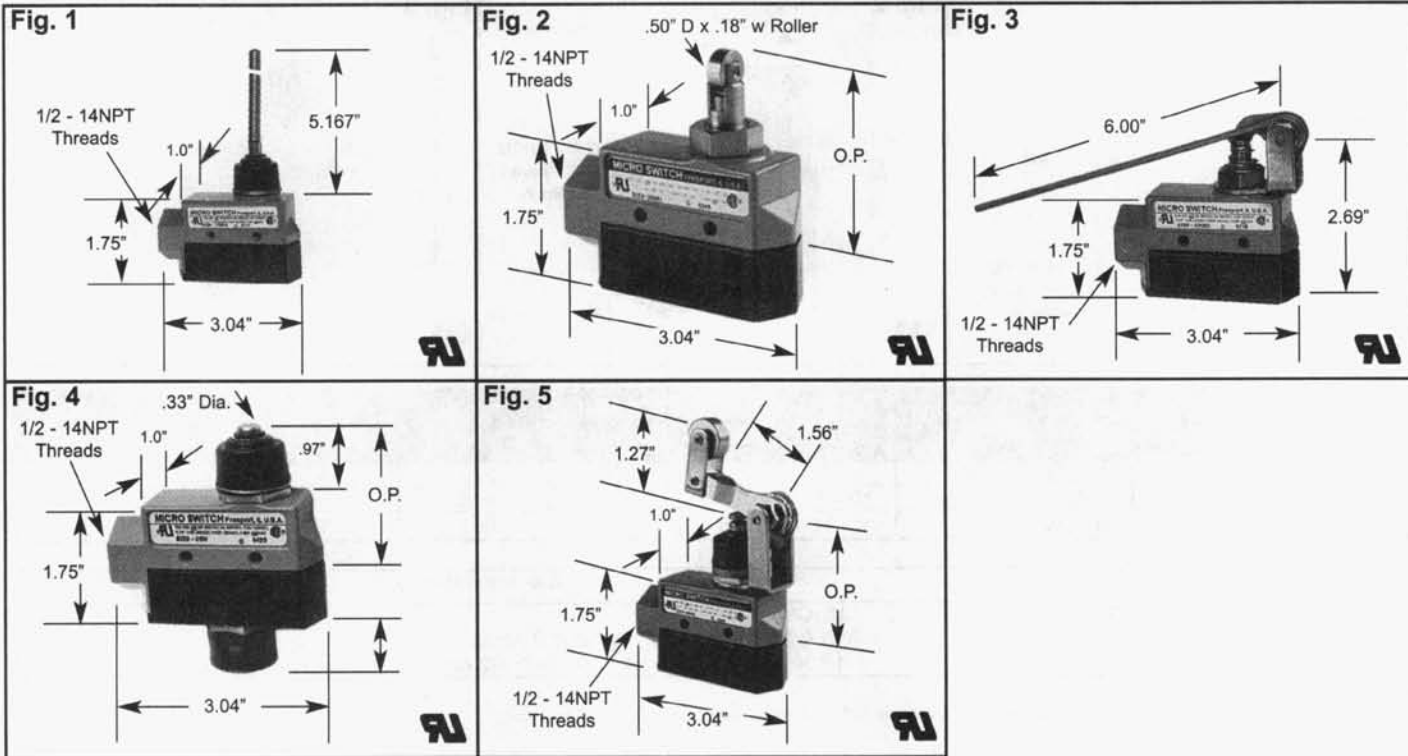
** BZV6-2RN2 is flanged mount.

*** With Seal Boot

Mounting Hole Dimension:



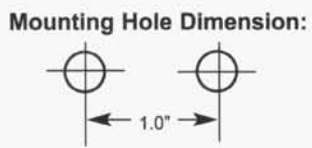
E6/V6 Compact Enclosed Switches* (Con't.)



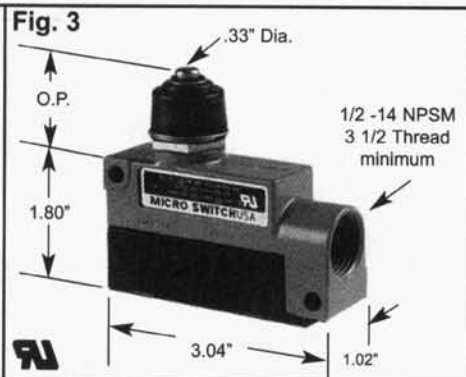
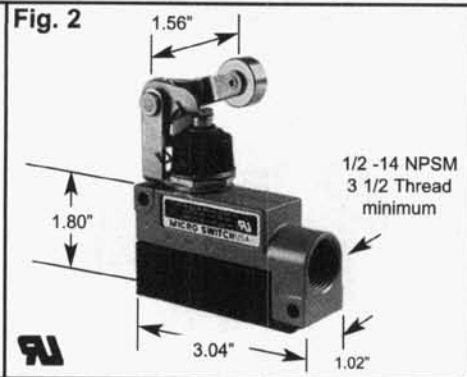
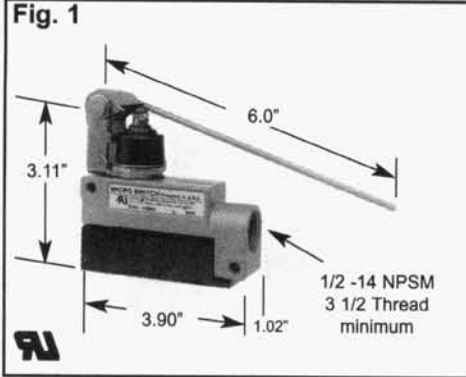
Actuator Style	Ratings	Mounting	O.F. (Oz)	P.T. Max (Inches)	O.T. Min. (Inches)	D.T. Max (Inches)	O.P. (Inches)	Part Number	Fig. No.
Coil Spring Wobble Lever**	15 Amps ¹	Side	7	15	---	---	---	BZE6-2RN18	1
Cross Roller Plunger	15 Amps ¹	Side	9 - 13	.015	.140	.002	1.953-.045	BZE6-2RQ81	2
Low Force Rod Lever	15 Amps ¹	Side	2 - 5	.718	.838	.229	---	BZE6-2RQ62	3
Maintained Contact(Reset)**	15 Amps ²	Side	6 - 20	.078	.187	---	1.718-.030	BZE6-RNX1	4
One Way Roller Lever**	15 Amps ¹	Side	8 - 20	.234	.219	.006	2.09	BZE6-2RN28	5

Rating	Circuitry	Electrical Rating
1	Single-Pole, Double Throw	UL/CSA Rating: L74 15 Amps, 125, 250 or 480 VAC; 2 Amps, 600 VAC 1/8 Hp, 125 VAC; 1/4 Hp, 250 VAC; 1/2 Amp, 125 VDC; 1/4 Amp, 250 VDC
2	Double-Pole, Double-Throw	UL/CSA Rating: L59 10 Amps, 125 or 250 VAC; 0.3 Amp, 125 VDC; 0.15 Amp, 250 VDC.

CHARACTERISTICS:
O.F. - Operating Force; R.F. - Release Force; P.T. - Pretravel; O.T. - Overtravel; D.T. - Differential Travel; O.P. - Operating Position.
* The mounting holes on the above switches are 1 inch apart for side mount and 1.63" apart (.17" Dia. holes) for flange mount.
** With Seal Boot



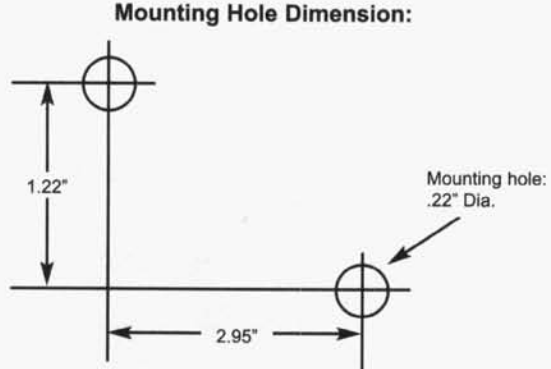
BZG Sealed Enclosed Switches**



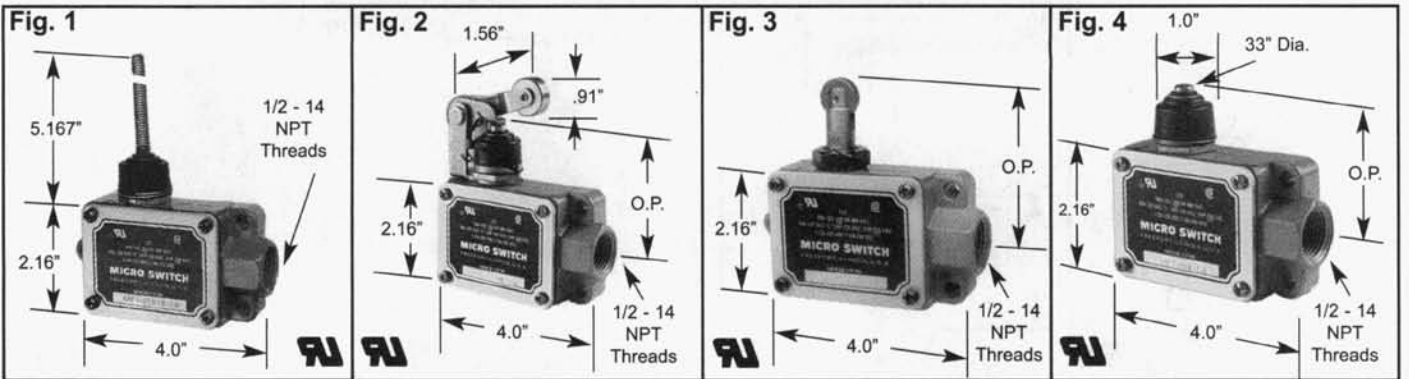
Actuator Style	Ratings	Mounting	O.F. (Oz)	P.T. Max (Inches)	O.T. Min. (Inches)	D.T. Max (Inches)	O.P. (Inches)	Part Number	Fig. No.
Low Force Rod Actuator	15 Amps ¹	Side	3 - 7	.718	.838	.229	----	BZG1-2RN62	1
Roller Lever	15 Amps ¹	Side	10 - 20	.188	.219	.006	----	BZG1-2RN2*	2
Straight Plunger	15 Amps ¹	Side	9 - 24	.078	.219	.002	.137"	BZG1-2RN*	3

Rating	Circuitry	Electrical Rating
1	Single-Pole, Double Throw	UL/CSA Rating: L74 15 Amps, 125, 250 or 480 VAC; 2 Amps, 600 VAC 1/8 Hp, 125 VAC; 1/4 Hp, 250 VAC; 1/2 Amp, 125 VDC; 1/4 Amp, 250 VDC

CHARACTERISTICS:
O.F. - Operating Force; R.F. - Release Force; P.T. - Pretravel; O.T. - Overtravel; D.T. - Differential Travel; O.P. - Operating Position.
* 1 Conduit opening.
** Meets NEMA 1, 3, 4 and 13.



BAF1 Enclosed High Capacity Switches**



Actuator Style	Ratings	Actuator Position*	O.F. (Oz)	P.T. Max (Inches)	O.T. Min. (Inches)	D.T. Max (Inches)	O.P. (Inches)	Part Number	Fig. No.
Flexible Rod	20 Amps ¹	Right	---	15°	---	---	---	BAF1-2RN18-RH	1
Flexible Rod	20 Amps ¹	Left	---	15°	---	---	---	BAF1-2RN18-LH	1
Roller Lever	20 Amps ¹	Right	2	.219	.250	.020	2.39	BAF1-2RN2-RH	2
Roller Lever	20 Amps ¹	Left	2	.219	.250	.020	2.39	BAF1-2RN2-LH	2
Roller Plunger	20 Amps ¹	Left	2.5	.094	.156	.010	2.547	BAF1-2RQ9-LH	3
Straight Plunger	20 Amps ¹	Right	2.5	.094	.219	.010	2.094±.030	BAF1-2RN-RH	4
Straight Plunger	20 Amps ¹	Left	2.5	.094	.219	.010	2.094±.030	BAF1-2RN-LH	4

Rating	Circuitry	Electrical Rating
1	High Capacity SPDT	UL/CSA Rating: L23 20 Amps, 125, 250 or 480 VAC; 1 Hp, 125 VAC; 2 Hp, 250 VAC; 1/2 Amp, 125 VDC; 1/4 Amp, 250 VDC; Lampload - 10 Amps, 125 VAC.

CHARACTERISTICS:

O.F. - Operating Force; R.F. - Release Force; P.T. - Pretravel; O.T. - Overtravel; D.T. - Differential Travel; O.P. - Operating Position.

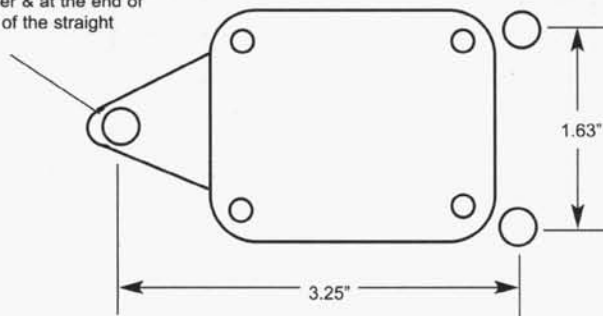
* Position when looking at nameplate.

** Complies with NEMA 1, 3, 4 and 13.

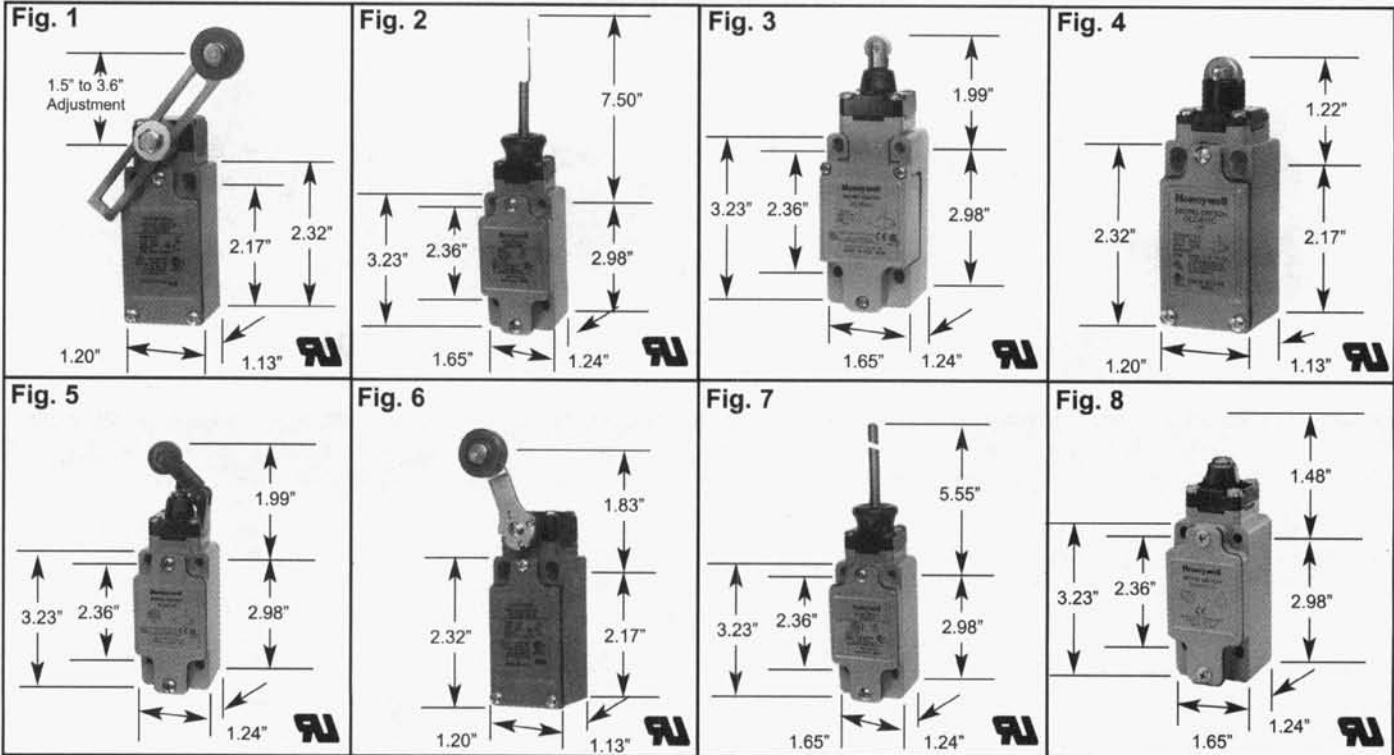
*** With Seal Boot.

Mounting Hole Dimension:

NOTE: O.P. is measured from this point to the pivot point of the roller lever & at the end of the actuator of the straight plunger.



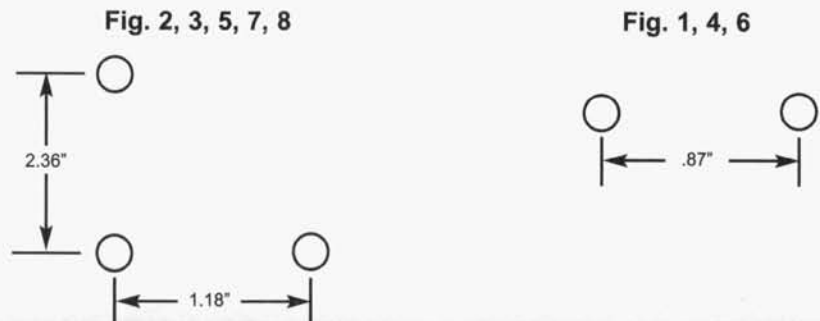
Global Limit Switches



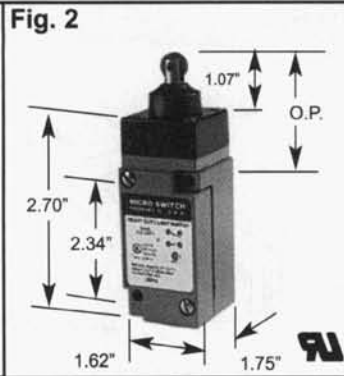
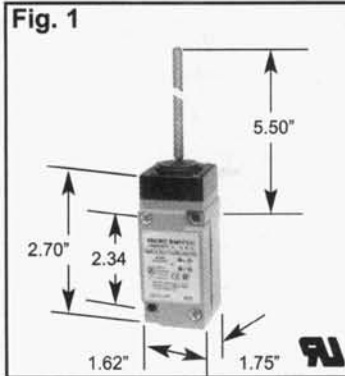
Actuator Style	Circuitry/Action	Ratings	Conduit Thread	F.P.	O.P.	R.P.	D.T.	O.T.	Operating Temp. Range	Part Number	Fig. No.
Adjustable Side Rotary	SPDT Snap Action	10 Amps	1/2" NPT Adapter	0°	26°	14,5°	11,5°	61° to 75°	-13°F to +185°F -25°C to +85°C	GLCA01A2B	1
Cat Whisker	SPDT Snap Action	10 Amps	1/2" NPT	0°	18°	10°	8°	35°	-13°F to +185°F -25°C to +85°C	GLAA01K8B	2
Roller Plunger	SPDT Snap Action	10 Amps	1/2" NPT	11,3mm	15mm	13,2mm	1,8mm	4,5mm	-13°F to +185°F -25°C to +85°C	GLBA02C	3
Roller Plunger	SPDT Snap Action	10 Amps	1/2" NPT Adapter	5,3mm	10,5mm	8,9mm	1,6mm	4,5mm	-13°F to +185°F -25°C to +85°C	GLDA01C	4
Roller Lever Plunger	SPDT Snap Action	10 Amps	1/2" NPT	9,1mm	20mm	15,9mm	4,1mm	4,5mm	-13°F to +185°F -25°C to +85°C	GLAA01D	5
Side Rotary	SPDT Snap Action	10 Amps	1/2" NPT Conduit	0°	26°	14,5°	11,5°	61° to 75°	-13°F to +185°F -25°C to +85°C	GLCA01A1B	6
Spring Wobble Lever	SPDT Snap Action	10 Amps	1/2" NPT	0°	18°	10°	8°	35°	-13°F to +185°F -25°C to +85°C	GLAA01E7B	7
Top Plunger	SPDT Snap Action	10 Amps	1/2" NPT	37,5mm	35mm	35,9mm	0,9mm	30,5mm	-13°F to +185°F -25°C to +85°C	GLAA01B	8
Top Roller Plunger	SPDT Snap Action	10 Amps	Plug-in 1/2" Conduit	11,3mm	15mm	13,2mm	1,8mm	---	-13°F to +185°F -25°C to +85°C	GLAA01C	5

NOTES: Designed to the new IEC standard for world-wide application. UL, CSA, and CE.

Mounting Hole Dimensions:



HDLS Heavy Duty Switches*



Actuator Style	Circuitry/Action	Ratings	Body Style*	P.T. Max.	D.T. Max.	O.T. Min.	O.F. Max.	O.P. Inches	Operating Temp. Range	Part Number	Fig. No.
Coil Spring	SPDT	10 Amps ¹	Plug-in 1/2" Conduit	2	---	---	7	---	10°F to 200°F -12°C to 93°C	LSK1A-8C	1
Roller Plunger	SPDT Double Break Momentary	10 Amps ¹	Plug-in 1/2" Conduit	.070	.015	.190	4	2.200.040	10°F to 200°F -12°C to 93°C	LSD1A	2
Roller Plunger	SPDT Double Break Momentary	10 Amps ¹	Non Plug-in 1/2" Conduit	.070	.015	.190	4	2.200.040	10°F to 200°F -12°C to 93°C	LSD3K	2
Rotary	SPDT Double Break Momentary	10 Amps ¹	Plug-in 1/2" Conduit	15°	5°	60°	4 in. lbs	---	10°F to 250°F -12°C to 121°C	LSA1A	3
Rotary	SPDT Double Break Momentary	10 Amps ¹	Non Plug-in	15°	5°	60°	4 in. lbs.	---	10°F to 250°F	LSA3K	3
Rotary	DPDT Double Break Momentary	10 Amps ²	Plug-in 1/2" Conduit	15°	7°	60°	4 in. lbs.	---	10°F to 250°F -12°C to 121°C	LSA6B	4
Rotary	DPDT Double Break Momentary	10 Amps ²	Plug-in 1/2" Conduit	18°	10°	57°	4 in. lbs.	---	30°F to 250°F -1°C to 121°C	LSM6D	4
Rotary	DPDT Double Break Momentary	10 Amps ²	Plug-in 3/4" Conduit	15°	7°	60°	4 in. lbs.	---	10°F to 250°F -12°C to 121°C	LSA2B	4

AC Volts Pilot Duty: 600 VAC, 720 VAC 10 Amps continuous carry				DC Volts Pilot Duty 240 VDC, 30 Watts		
Rating Code	VAC	Amp at 0.35 Power Factor		VDC	Make and Break Amps	
		Make	Break		Inductive	Resistive
1	120	60	6	120	0.25	0.8
	240	30	3	240	0.15	0.4
	480	15	1.5			
	600	12	1.2			
2	120	30	3	120	0.25	0.8
	240	15	1.5	240	0.15	0.4
	480	7.5	0.75			
	600	6	0.60			

CHARACTERISTICS:

O.F. - Operating Force; R.F. - Release Force; P.T. - Pretravel; O.T. - Overtravel; D.T. - Differential Travel; O.P. - Operating Position.

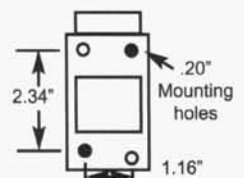
* Plug-in listings include base receptacle.

** 4X Stainless Steel version only.

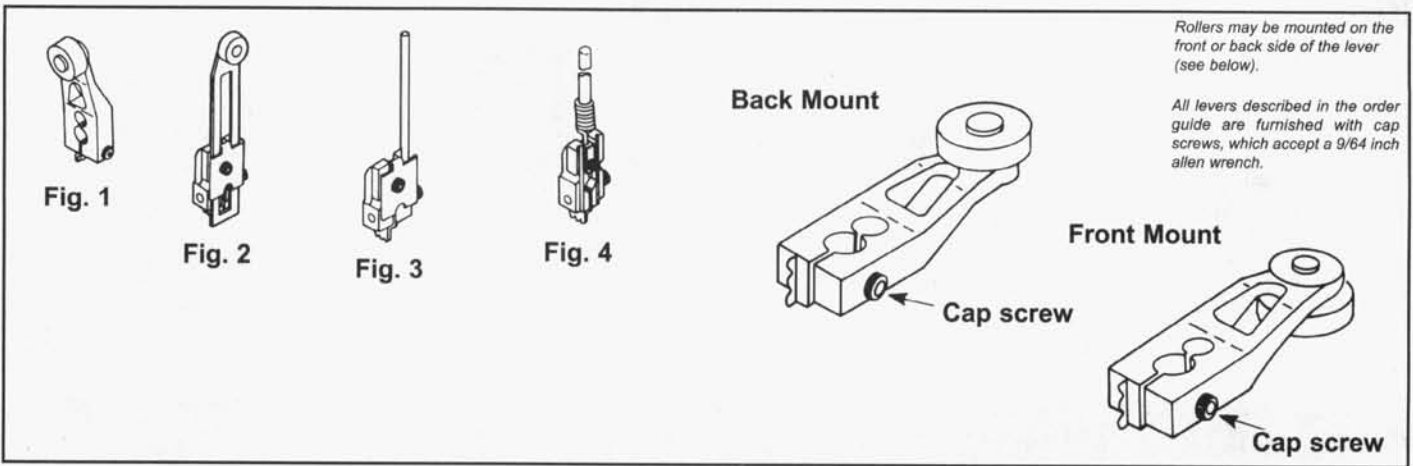
*** 6P prewired versions only.

◆ Meets NEMA 1, 3, 4, 4X**, 6, 6P*** and 13.

Mounting Hole Dimension:



HDLS Heavy Duty Switches (Con't.)



Lever for Rotary Actuated Switches

Description	Roller Mounted On This Side Of Lever	Part Number	Figure Number
LSZ51* Standard Roller Lever (1.5" radius)			
Nylon Roller	Front	LSZ51A	1
Steel Roller	Front	LSZ51B	1
Steel Roller	Back	LSZ51D	1
LSZ52* Adjustable Radius Roller Lever (1.5" to 3.5" radius)			
Nylon Roller	Back	LSZ52A	2
Steel Roller	Back	LSZ52B	2
Nylon Roller	Front	LSZ52C	2
Steel Roller	Front	LSZ52D	2
LSZ54 Rod Lever			
Stainless Steel (13.0" radius)	----	LSZ54N	3
LSZ68 Spring/Rod Lever			
Delrin (12.0" radius)	----	LSZ68	4

Replacement Parts

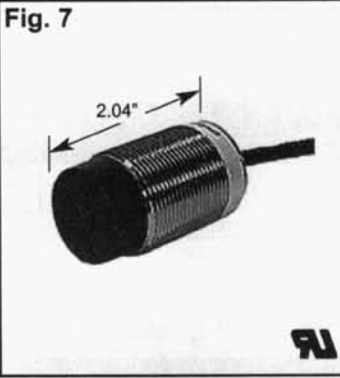
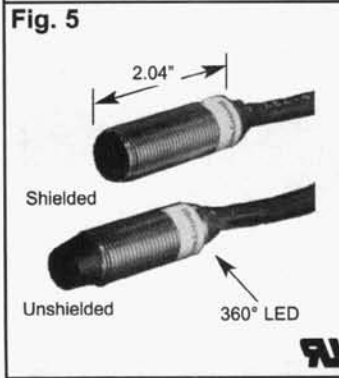
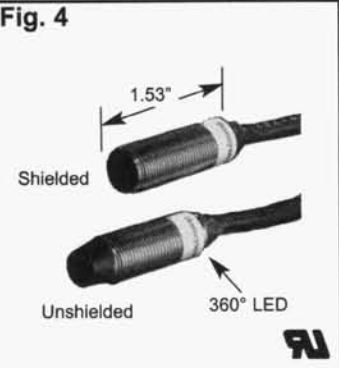
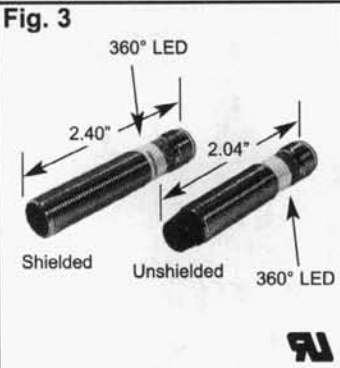
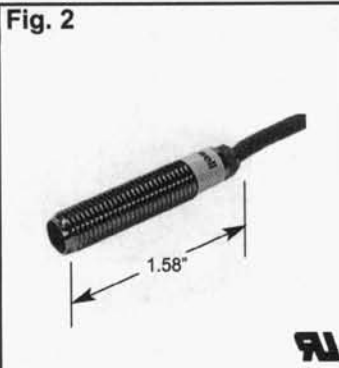
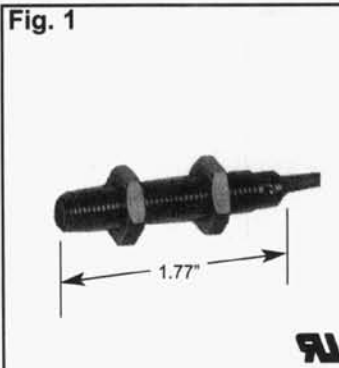
Part No. on Switch Nameplate	Operating Head Only	Complete Plug-in Unit Less Base Receptacle
LSA1A	LSZ1A	LSZ7A1A
LSA2B	LSZ1A	LSZ7A2B
LSA6B	LSZ1A	LSZ7A6B
LSD1A	LSZ1D	LSZ7D1A



*You do not lead by hitting
people over the head - that's
assault, not leadership.*

— Dwight Eisenhower

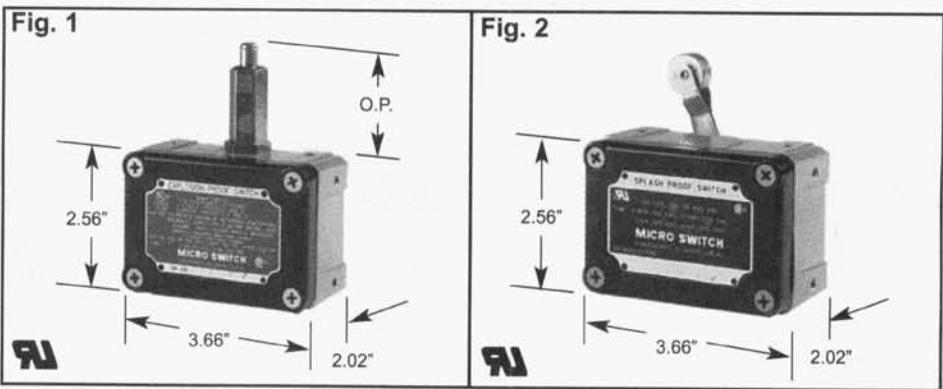
990 Series Proximity Sensors



Sensor Package Style	Description	Sensing Range mm (in)	Sensor Type	Voltage	Sw. Freq.	Standard Target mm (in.)	Output Type	Part Number	Fig. No.
8 (.31")	Pre-lead Metal Cylindrical Sensor	0,8 (.03)*	3-Wire DC	10-30VDC	1 kHz	5 (.20)	PNP, N.O.	992AA08AP-C2	1
8 (.31")	Nickel-Brass/PVC 24 Gage(2m length)	1,4 (.05)*	3-Wire DC	10-30VDC	3 kHz	2x2x0.5	NPN, N.O.	992AA08AN-C2	2
8 (.31")	Nickel-Brass/PVC 24 Gage(5m length)	1,4 (.05)*	3-Wire DC	10-30VDC	3 kHz	2x2x0.5	NPN, N.O.	992AA08AN-C5	2
8 (.31")	Nickel-Brass/PVC 24 Gage(10m length)	1,4 (.05)*	3-Wire DC	10-30VDC	3 kHz	2x2x0.5	NPN, N.O.	992AA08AN-C10	2
12 (.47")	Nickel-Brass/Micro Connector	2 (.07)*	2-Wire AC	20-250VAC	25 Hz	2x2x0.5	N.O.	993AA12AT-J ¹	3
12 (.47")	Nickel-Brass/Micro Connector	5 (.19)**	2-Wire AC	20-250VAC	25 Hz	2x2x0.5	N.C.	993AB12BT-J ¹	3
12 (.47")	Nickel-Brass/Micro Connector	2 (.07)*	3-Wire DC	10-30VDC	2 kHz	2x2x0.5	PNP, N.O.	992AA12AP-HD ²	3
12 (.47")	Nickel-Brass/PVC 22 Gage(2m length)	2 (.07)*	3-Wire DC	9-30VDC	2 kHz	2x2x0.5	NPN, N.O.	992SA12AN-A2	4
12 (.47")	Nickel-Brass/PVC 22 Gage(2m length)	2 (.07)*	2-Wire AC	20-250VAC	25 Hz	2x2x0.5	N.O.	993AA12AT-B2	5
18 (.71")	Nickel-Brass/Micro Connector	5 (.19)*	2-Wire AC	20-250VAC	25 Hz	2x2x0.5	N.O.	993AA18AT-J ¹	6
18 (.71")	Nickel-Brass/Micro Connector	2 (.07)*	3-Wire DC	10-30VDC	1 kHz	2x2x0.5	PNP, N.O.	992AA18AP-HD ²	6
30 (1.18)	Nickel-Brass/PVC 22 Gage(2m length)	16 (.62)**	3-Wire DC	10-30VDC	250 Hz	2x2x0.5	PNP, N.O.	992AB30AP-A2	7
30 (1.18)	Nickel-Brass/PVC 22 Gage(5m length)	16 (.62)**	3-Wire DC	10-30VDC	250 Hz	2x2x0.5	PNP, N.O.	992AB30AP-A5	7
30 (1.18)	Nickel-Brass/PVC 22 Gage(10m length)	16 (.62)**	3-Wire DC	10-30VDC	250 Hz	2x2x0.5	PNP, N.O.	992AB30AP-A10	7
30 (1.18)	Nickel-Brass/Micro Connector	16 (.62)**	3-Wire DC	10-30VDC	250 Hz	2x2x0.5	PNP, N.O.	992AB30AP-HD ²	7

NOTES:
 * Shielded
 ** Unshielded
 1 J - 3 pin micro 1/2-20 AC (12-30mm)
 2 HD - 4 pin micro M12 DC (8-30mm)
 PNP - Current Sourcing.
 NPN - Current sinking output

EX/OP Series Switches



EX Explosion-Proof Switches* *

Actuator Style	Ratings	O.F.	P.T. Max In./Degrees	O.T. Min In./Degrees	D.T. Max In./Degrees	O.P. Inches	Part Number	Fig. No.
Overtravel Plunger	15 Amps ¹	3	.078	.188	.004	1.859.125	EX-Q	1
Roller Lever♣	15 Amps ¹	.5-1.25 lb.	.219 (8°)	90°	.007 (0.25°)	----	EX-AR	2
Roller Lever♥	15 Amps ¹	2.5 lb. max.	.065	25°	.007 (0.25°)	----	EX-AR30	2

** NEMA Standards: 1, 7 and 9. Some are UL listed and CSA certified; Class I, Group B, C and D; Class II, Group E, F and G.

OP Moisture-Contaminant Resistant Switches♦

Actuator Style	Ratings	O.F.	P.T. Max In./Degrees	O.T. Min In./Degrees	D.T. Max In./Degrees	O.P. Inches	Part Number	Fig. No.
Roller Lever	15 Amps ¹	.5-1.25 lb.	.219 (8°)	90°	.007 (0.25°)	----	OP-AR	2

Roller Lever is field adjustable through 360°.
♦ Meets NEMA 1, 3, 4 and 13.

Replacement Parts for EX Switches

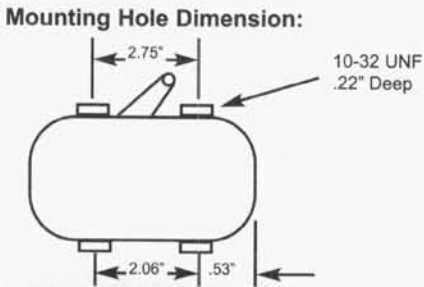
Switch	Switching Unit	Actuator	Springs
EX-AR	BZ-2R-P1 ²	6PA5-EX	33PA7-EX
EX-AR30	BZ-2R-P1 ²	6PA5-EX	33PA5-EX
EX-Q	BZ-2R-P1 ²	8PA15-EX	----

Replacement Parts for OP Switches

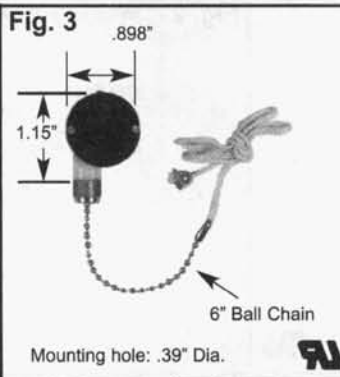
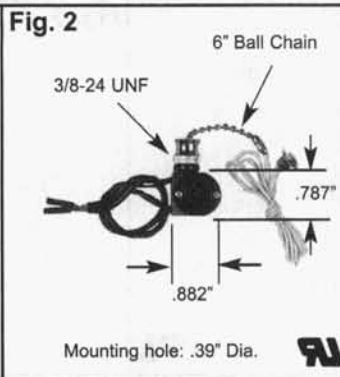
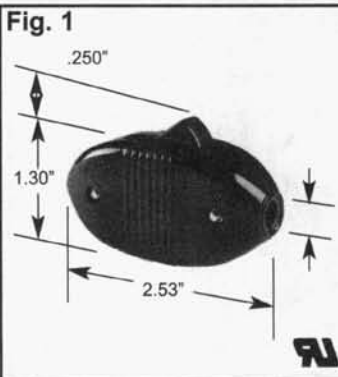
Switch	Switching Unit	Actuator	Springs
OP-AR	BZ-2R-P4	6PA6-OP	33PA7-EX

CHARACTERISTICS:

- O.F. - Operating Force; R.F. - Release Force; P.T. - Pretravel; O.T. - Overtravel; D.T. - Differential Travel; O.P. - Operating Position.
- ¹ UL/CSA Rating L96, SPDT, 15 Amps, 125, 250 or 480 VAC; 1/8 Hp, 125 VAC; 1/4 Hp, 250 VAC; 1/2 Hp, 125 VDC; 1/4 Amp, 250 VDC.
- ² Side facing 8-32 x .218" screw cap with cup washer and small fiberglass insulator.
- ♣ Clockwise actuation when looking at nameplate.
- ♥ Counter clockwise actuation when looking at nameplate.



Miscellaneous Switches



All-Angle Pull Chain Switches

Circuit Functions	Poles & Throws	Ratings (Amps)			Actuator Type	Termination Type	Body Material	Part Number	Fig. No.
		125 VAC	250 VAC	125 V "L" or "T"					
ON OFF	SPST	---	---	3 "T" ²	Chain w/ Cord	Wire Leads	Molded Phenolic	SS221	6*
ON OFF	SPST	---	3	6 "T" ²	Chain w/ Cord	Wire Leads	Molded Phenolic	SS241	7
ON OFF	SPST	---	3	6 "T" ²	Chain w/ Cord	Wire Leads	Molded Phenolic	SS271	8*

Feed Through Switch

Circuit Functions	Poles & Throws	Ratings (Amps)			Actuator Type	Termination Type	Body Material	Part Number	Fig. No.
		125 VAC	250 VAC	125 V "L" or "T"					
ON OFF	SPST	10	5	5 "T" ²	Rocker	Screw	Phenolic	SS625	1

Pull Chain Switches

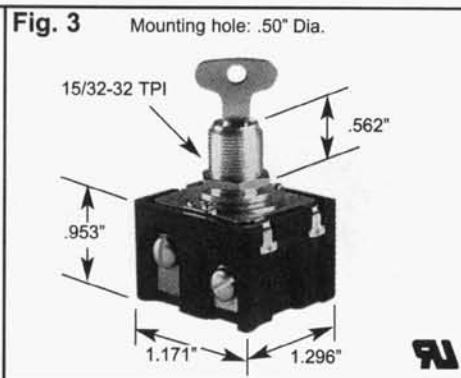
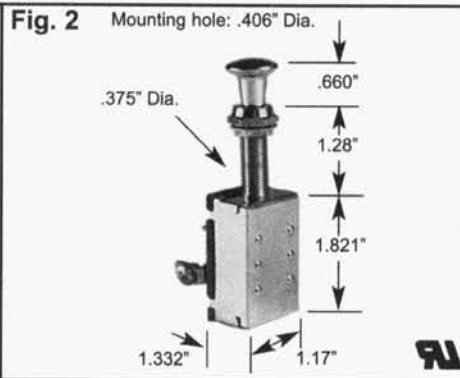
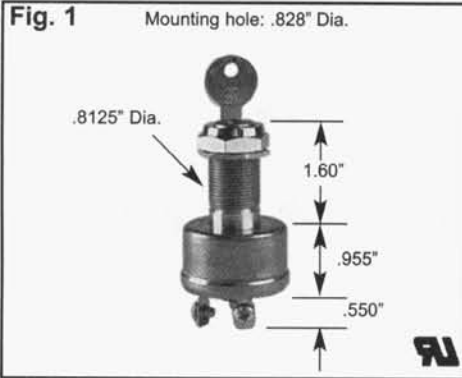
Circuit Functions	Poles & Throws	Ratings (Amps)			Actuator Type	Termination Type	Body Material	Part Number	Fig. No.
		125 VAC	250 VAC	125 V "L" or "T"					
ON OFF	SPST	6	3	1 "T" ²	Chain w/ Cord	Wire Leads	Molded Plastic	SS107	2*
OFF ON ON	SP3T	6	3	1.5 "L" ¹	Chain w/ Cord	Push In	Molded Plastic	SS126	3
OFF ON ON ON	SP4T	6	3	1.5 "L" ¹	Chain w/ Cord	Push In	Molded Plastic	SS127	3

Rotary Switches

Circuit Functions	Poles & Throws	Ratings (Amps)			Actuator Type	Termination Type	Body Material	Part Number	Fig. No.
		125 VAC	250 VAC	125 V "L" or "T"					
ON OFF	SPST	3	1.5	3 "L" ¹	Round knob	Wire Leads	Plastic	SS109	4*
ON OFF	SPST	6	3	1 "T" ²	Knob	Push In	Plastic	SS108	5*

* 6" Wire leads
1 "L" = AC lampload.
2 "T" = AC/DC lampload.

Miscellaneous Switches (Con't.)



Automotive-Marine Ignition Switch-Momentary

Circuit Functions	Poles & Throws	Ratings (Amps)	Actuator Type	Termination Type	Body Material	Part Number	Fig. No.
OFF ON (ON) 1 1 & 2	SPDT	15 Amps 6-12 VDC	Key	Screw	Brass	SS518	1

Automotive-Marine Push/Pull Switch-Maintained

Circuit Functions	Poles & Throws	Ratings (Amps)		Actuator Type	Termination Type	Body Material	Part Number	Fig. No.
		12 VDC	6 VDC					
OFF 1 Circuit ON 1 & 2 Circuit ON	SPDT	15	25	Knob	Screw	Brass	SS517	2

Heavy Duty Rotary Switch

Circuit Functions	Poles & Throws	Ratings (Amps)		Actuator Type	Termination Type	Body Material	Part Number	Fig. No.
		120 VAC	240 VAC					
ON OFF	DPST	20	20	Key	Screw	Phenolic	SS613	3

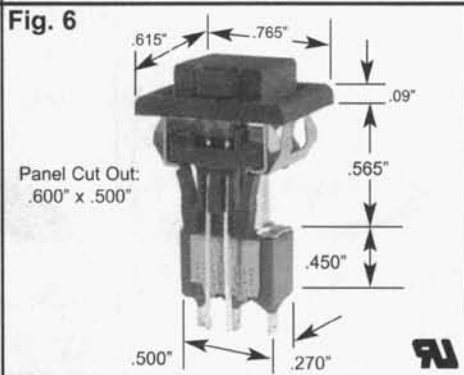
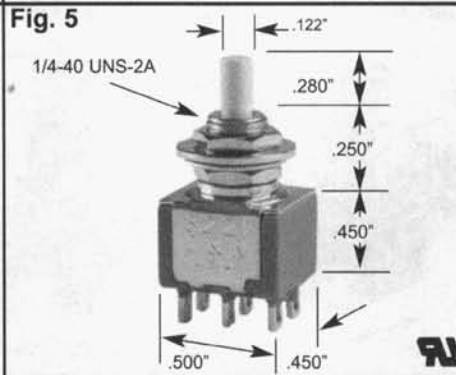
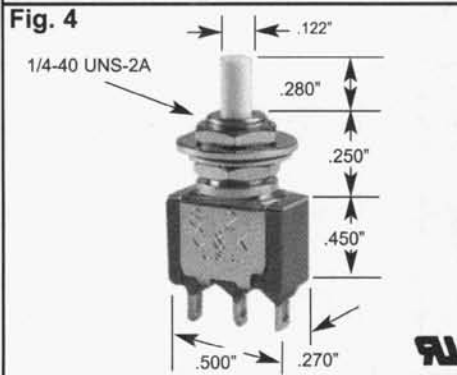
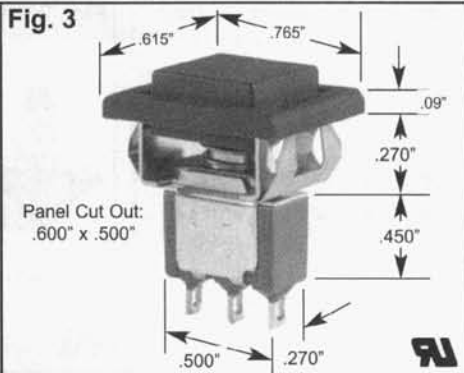
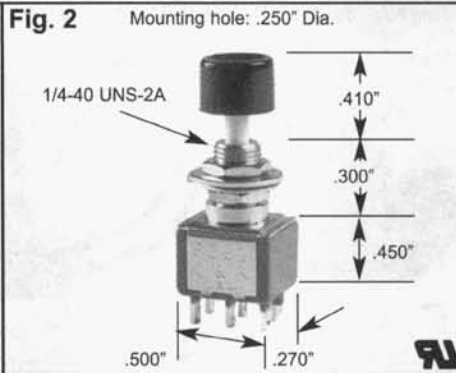
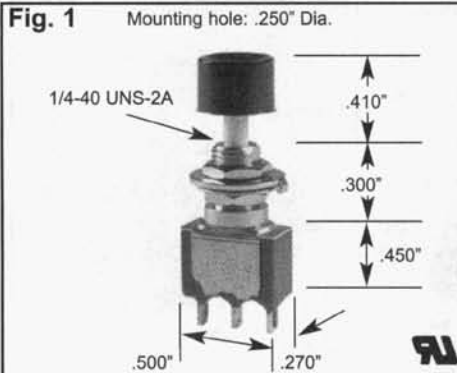
() Indicates momentary position.
 * 1 1/2 Hp 120 VAC; 2 Hp, 240 VAC.



"Our greatest weakness lies in giving up. The most certain way to succeed is to always try just one more time."

— Thomas Edison

Miniature Pushbutton



Miniature Pushbutton Switch - Maintained

Circuit Functions	Poles & Throws	Actuator Length	Bushing Length	Termination	Contact Rating	Sealing Type	Button Color	Frame Color	Part Number	Fig. No.
ON ON	SPDT	.410"	.300"	Solder Eyelet	6 Amps*	Epoxy Seal	Black	---	8161SHZQE2	1
ON ON	DPDT	.410"	.300"	Solder Eyelet	6 Amps*	Epoxy Seal	Black	---	8261SHZQE2	2

Snap-Acting Miniature Pushbutton Switches - Momentary

Circuit Functions	Poles & Throws	Actuator Length	Bushing Length	Termination	Contact Rating	Sealing Type	Button Color	Frame Color	Part Number	Fig. No.
ON (ON)	SPDT	.098"	---	Solder Eyelet	1 Amp**	Epoxy Seal	Black	Black	8121J81ZGE22	3
ON (ON)	SPDT	.218"	.250"	Solder Eyelet	1 Amp**	Epoxy Seal	---	---	8121SHZGE	4
ON (ON)	DPDT	.218"	.250"	Solder Eyelet	1 Amp**	Epoxy Seal	---	---	8221SHZGE	5

Miniature Pushbutton Switch with LED Indicator - Maintained

Circuit Functions	Poles & Throws	Actuator Length	Termination	Contact Rating	Sealing Type	Button Color	Frame Color	LED Color	Part Number	Fig. No.
ON (ON)	SPDT	.145"	Solder Eyelet	6 Amps*	Epoxy Seal	Black	Black	Red	8168J86ZQE223	6

() Indicates momentary position.

* 8060 Series: 6 Amps, 120 VAC/28 VDC; 3 Amps, 250 VAC

End Contacts: Coin Silver, silver plated.

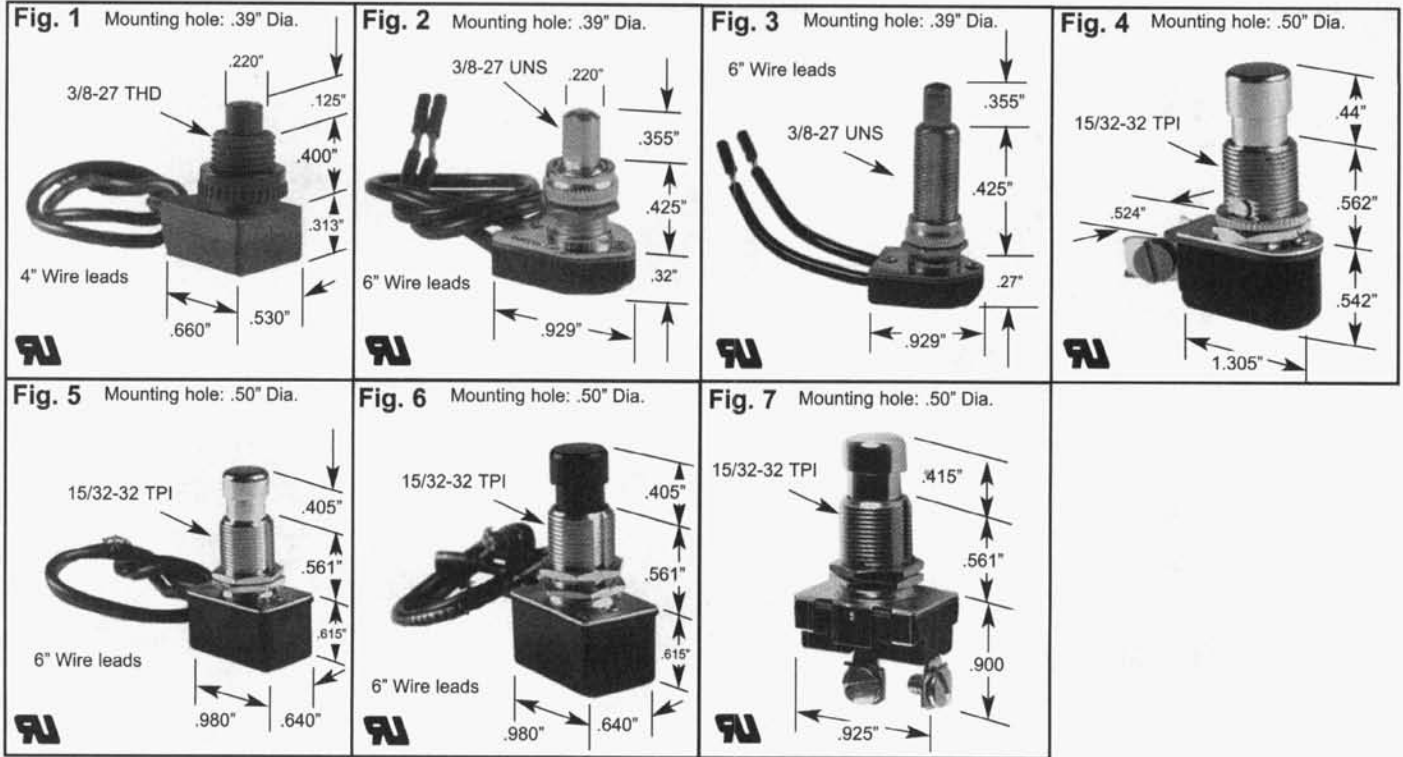
Center Contacts & all Terminals: Copper alloy, silver plated.

** 8X21 & TP Series: 1 Amp, 120 VAC/28 VDC; 0.4 VA max., 20 VAC/DC max.

Contacts: Coin silver, with gold plate over nickel plate.

Contacts & Terminals: Copper alloy with gold plate over nickel plate.

Maintained Contact



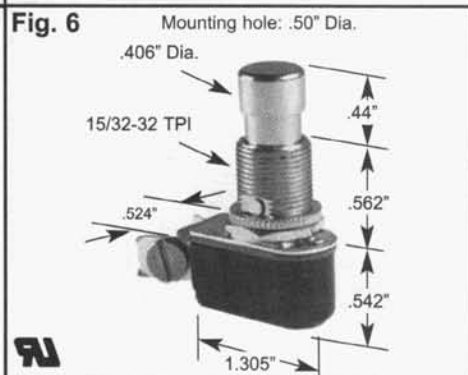
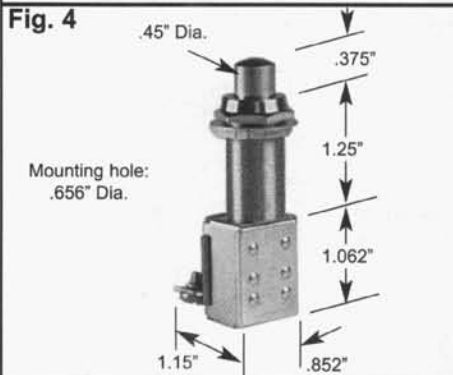
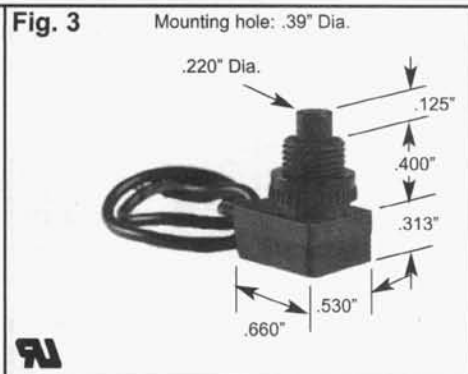
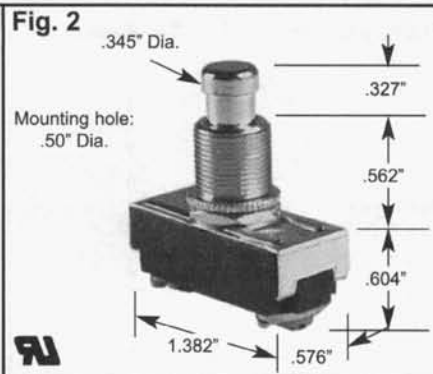
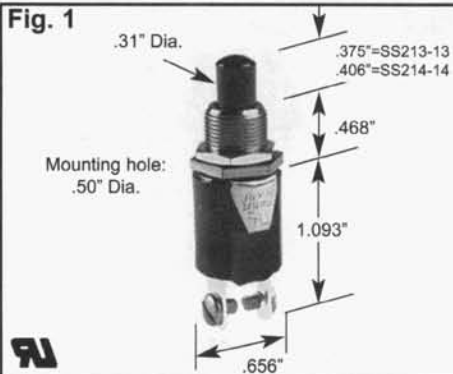
Circuit Function	Poles & Throws	Ratings (Amps)			Actuator Material	Wire Leads	Part Number		Fig. No.
		125 VAC	250 VAC	HP 125-250 VAC			Screw	.250" Q.C.	
Push ON Push OFF	SPST	3 ²	---	---	Plastic	SS103	---	---	1
Push ON Push OFF	SPST	3	1 ³	---	Plastic	SS104	---	---	2
Push ON Push OFF	SPST	3 "T"	1	---	Aluminum	SS124	---	---	3
Push ON Push OFF	SPST	6*	3*	---	Brass/Nickel	---	SS216-11	---	4
Push ON Push OFF	SPST	8*	4*	1/3 @ 125	Brass/Nickel	SS215-10	---	---	5
Push ON Push OFF	SPST	8*	4*	1/3 @ 125	Nylon	SS105	---	---	6
Push ON Push OFF	SPST	15	10	---	Brass/Nickel	---	SS224	---	7
Push ON Push ON	SPDT	15	10	---	Brass/Nickel	---	---	SS223P	7

* Stated amperage and voltage also valid for DC rating.
 ** Has 3 terminals.
 1 Also rated 10 Amps 125 VAC.
 2 Also rated 2 Amps 125 VAC-L.
 3 Also rated 1 Amp 125 Volts "T".



"The only way to make people trustworthy is to trust them."
 — Henry Stimson

Momentary Contact

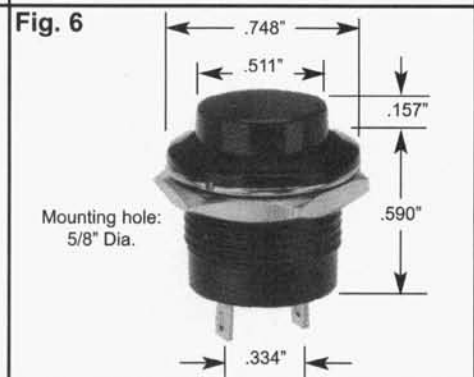
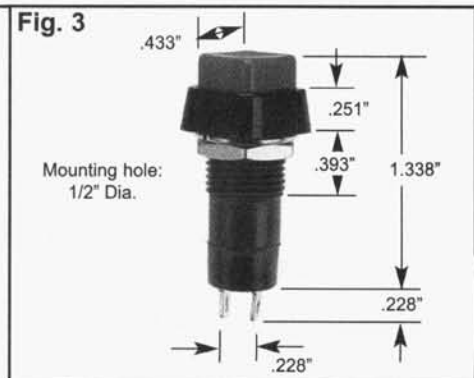


Circuit Function	Poles & Throws	Ratings (Amps)			Actuator Material	Wire Leads	Part Number		Fig. No.
		125 VAC	250 VAC	HP 125-250 VAC			Screw	.250" Q.C.	
OFF (ON)	SPST N.O.	3/41	1/41	---	Nylon---	SS213-13	---	---	1
OFF (ON)	SPST N.O.	32	---	---	Molded Plastic	SS101	---	---	3
OFF (ON)	SPST N.O.	♦	♦	---	Chrome Plated Brass	---	SS519	---	4
OFF (ON)	SPST N.O.	15	10	---	Brass/Nickel	---	SS228	---	2
OFF (ON)	SPST N.O.	15	10	---	Brass/Nickel	---	---	SS232P	5
ON (OFF)	SPST N.C.	3/41	1/41	---	Nylon---	SS214-14	---	1	
ON (OFF)	SPST N.C.	32	---	---	Molded Plastic	SS102	---	---	3
ON (OFF)	SPST N.C.	3	1	---	Brass/Nickel	SS233W	---	---	6
ON (OFF)	SPST N.C.	15	10	---	Brass/Nickel	---	SS229	---	2

1 Stated amperage and voltage also valid for DC rating.
2 Also rated 2 Amps 125 VAC-L.
() Indicates momentary position
♦ 15 Amps 12 VDC; 25 Amps 6 VDC.

"No man will make a great leader who wants to do it all himself, or to get all the credit for doing it."
— Andrew Carnegie

Maintained & Momentary Contact



Pushbutton Switches - Maintained

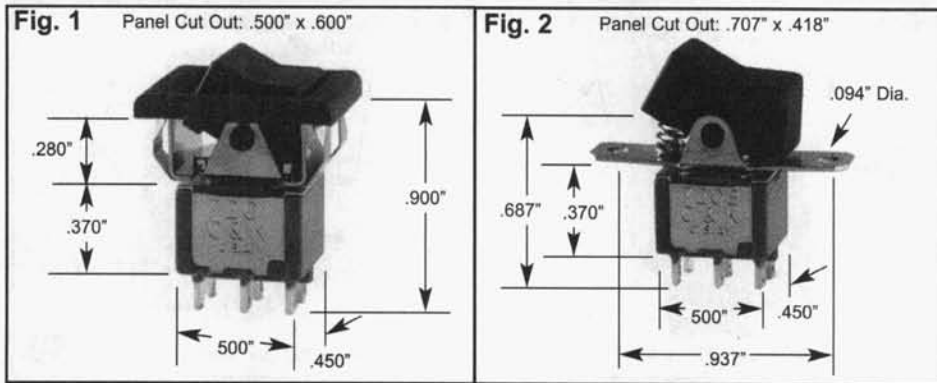
Circuit Function	Poles & Throws	Ratings (Amps)		Actuator Color	Bezel/Base Color	Termination	Part Number	Fig. No.
		125 VAC	250 VAC					
ON OFF	SPST	3	1.5	Red	Black	Solder	RH34	1
ON OFF	SPST	3	1.5	Red	Black	Solder	RH27	1
ON OFF	SPST	3	1	Black	Black	Solder	RH41	2
ON OFF	SPST	3	1.5	Black	Black	Solder	RH37	3

Pushbutton Switches - Momentary

Circuit Function	Poles & Throws	Ratings (Amps)		Actuator Color	Bezel/Base Color	Termination	Part Number	Fig. No.
		125 VAC	250 VAC					
OFF (ON)	SPST	3	1	Black/Red	Black	Solder	RH40	2
OFF (ON)	SPST	3	1.5	Plastic	Metal	Solder	RH28	4
OFF (ON)	SPST	3	1	Black/Red	Black	Solder	RH01	3
OFF (ON)	SPST	3	1.5	Red	Black	Solder	RH31	5
OFF (ON)	SPST	6	3	Red	Black	Solder	RH33	6
ON (OFF)	SPST	3	1.5	Plastic	Metal	Solder	RH35	4
ON (OFF)	SPST	3	1.5	Black	Black	Solder	RH32	5
ON (ON)	SPDT	3	1.5	Plastic	Metal	Solder	RH36	4

() Denotes momentary position.

Miniature Rocker Switches



Miniature Snap-In Rocker Switches - Maintained

Circuit Functions	Poles & Throws	Actuator Length	Termination	Contact Rating	Sealing Type	Button Color	Frame Color	Actuator Color	Part Number	Fig. No.
ON ON	DPDT	.194"	Solder Eyelet	5 Amps1	Epoxy Seal	---	Black	Black	7201J51ZQE22	1

Miniature Rocker Switches - Momentary

Circuit Functions	Poles & Throws	Mounting Style	Termination	Contact Rating	Sealing Type	Actuator Color	Part Number	Fig. No.
(ON) OFF (ON)	DPDT	Panel Mount	Solder Eyelet	5 Amps1	Epoxy Seal	Black	7205J1ZQE2	2

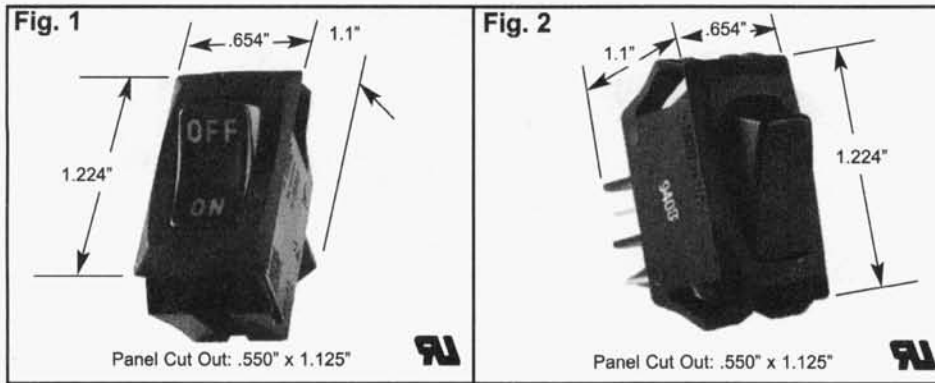
1 7000 Series: 5 Amps, 120 VAC/28 VDC; 2 Amps, 250 VAC
End Contacts: Coin silver, silver plated.
Center Contact & all terminals: Copper alloy, silver plated.



"Take my assets-but leave me my organization and in five years I'll have it all back."

— Alfred Sloan

Appliance Rocker Switches



Curved Rocker Switches/Non-Lighted - Maintained

Snap-In Mounting

Circuit Function	Poles & Throws	Ratings (Amps)			Actuator Color	Visi-Rocker® End Color	Bezel/ Base Color	Imprinting	Base Material	Actuator Material	Termination	Part Numbers	Fig. No.
		125 VAC	250 VAC	HP 125-250									
ON OFF	SPST	16	10	3/4	Black	Red	Black	On-Of ² (Vertical)	Nylon	Nylon or Polyester	.187" QC	SS1201	1
ON OFF	SPST	16	10 ¹	---	Black	Red	Black	None	Nylon	Nylon or Polyester	.187" QC	SS1202	1*
ON OFF	SPST	16	10	3/4	Black	None	Black	None	Nylon	Nylon or Polyester	.187" QC	SS1203	1**
ON ON	SPDT	16	10	3/4	Black	None	Black	None	Nylon	Nylon or Polyester	.187" QC	SS1205	1**
ON OFF ON	SPDT	16	10	---	Black	None	Black	None	Nylon	Nylon or Polyester	.187" QC	SS1206	1**

Curved Rocker Switch/Non-Lighted - Momentary

Snap-In Mounting

Circuit Function	Poles & Throws	Ratings (Amps)			Actuator Color	Visi-Rocker® End Color	Bezel/ Base Color	Imprinting	Base Material	Actuator Material	Termination	Part Numbers	Fig. No.
		125 VAC	250 VAC	HP 125-250									
(ON) OFF	SPST	12	8	1/2	Black	None	Black	None	Nylon	Nylon or Polyester	.187" QC	SS1204	2

() Denotes momentary position.

1 (4) Amps 250 VAC μ T85.

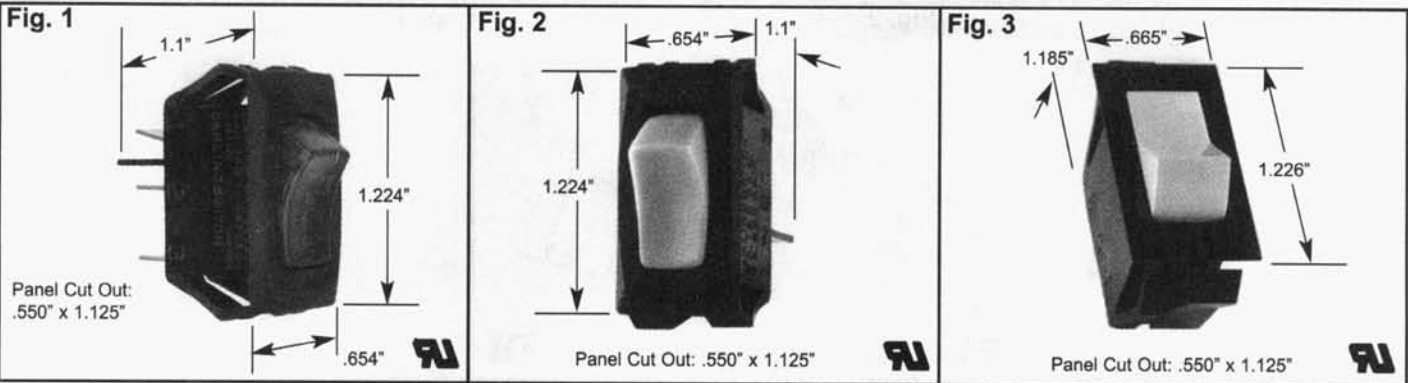
2 On-Off same color as Visi (Red).

© Visi-Rocker is a registered trademark of Carlingswitch.

* SS1202 has no imprinting or legend.

** SS1203, SS1205 and SS1206 do not have imprinting, legends, or Visi-Rocker end color.

Appliance Rocker Switches (Con't.)



Curved Rocker Switches/Lighted - Maintained
Snap-In Mounting

Circuit Function	Poles & Throws	Ratings (Amps) 125 VAC 250 VAC HP 125-250	Actuator Color*	Bezel/ Base Color	Lamp Voltage	Base Material	Actuator Material	Termination	Part Numbers	Fig. No.
ON OFF	SPST	16 10 10 (4)	Amber Transparent	Black	12V Incandescent	Nylon	Nylon or Polycarbonate	.187" QC	SS1207	1
ON OFF	SPST	16 10 10 (4)	Amber Transparent	Black	125V Neon	Nylon	Nylon or Polycarbonate	.187" QC	SS1208	1
ON OFF	SPST	16 10 10 (4)	Red Transparent	Black	12V Incandescent	Nylon	Nylon or Polycarbonate	.187" QC	SS1209	1
ON OFF	SPST	16 10 10 (4)	Red Transparent	Black	125V Neon	Nylon	Nylon or Polycarbonate	.187" QC	SS1210	1
ON OFF	SPST	16 10 10 (4)	Amber Transparent	Black	125V Neon	Nylon	Nylon or Polycarbonate	.187" QC	SS1214	2
ON OFF	SPST	16 10 10 (4)	Red Translucent	Black	125V Neon	Nylon	Nylon or Polycarbonate	.187" QC	SS1216	2

* Entire actuator lighted.

"V" Style Rocker Switches/Non-Lighted - Maintained
Snap-In Mounting

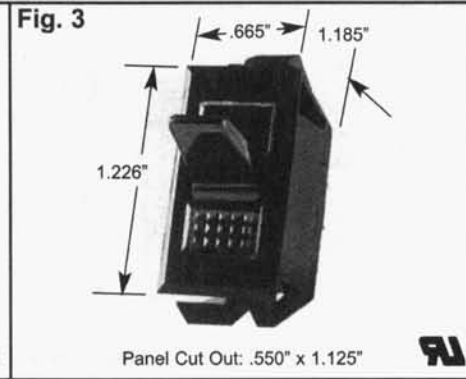
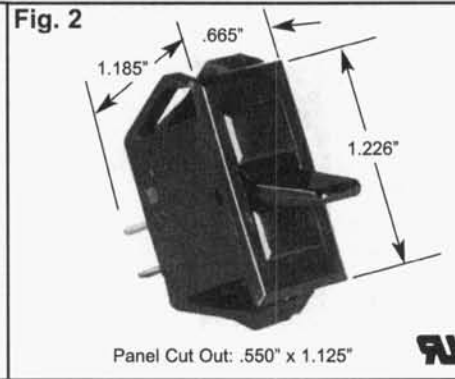
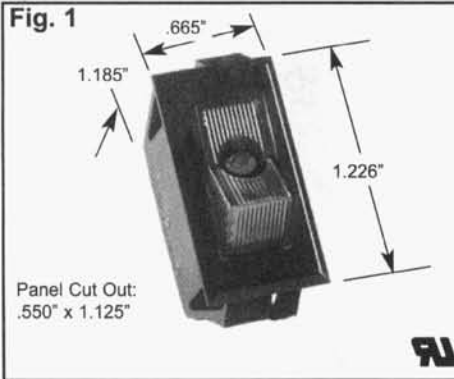
Circuit Function	Poles & Throws	Ratings (Amps) 125 VAC 250 VAC HP 125-250	Actuator Color	Bezel/ Base Color	Imprinting	Base Material	Actuator Material	Termination	Part Numbers	Fig. No.
ON OFF	SPST	15 10 3/4	White	Black	None	Nylon	Nylon	.187" QC	SS1218	3
ON OFF ON	SPDT	15 10 3/4	White	Black	None	Nylon	Nylon	.187" QC	SS1223	3

"V" Style Rocker Switches/Non-Lighted - Momentary
Snap-In Mounting

Circuit Function	Poles & Throws	Ratings (Amps) 125 VAC 250 VAC HP 125-250	Actuator Color	Bezel/ Base Color	Imprinting	Base Material	Actuator Material	Termination	Part Numbers	Fig. No.
(ON) OFF	SPST	15 10 3/4	White	Black	None	Nylon	Nylon	.187" QC	SS1219	3
ON (OFF)	SPST	15 10 1/2	White	Black	None	Nylon	Nylon	.187" QC	SS1220	3
ON (ON)	SPDT	10 5 1/2	White	Black	None	Nylon	Nylon	.187" QC	SS1222	3

() Indicates momentary position.

Appliance Rocker Switches (Con't.)



"V" Style Rocker Switches/Lighted - Maintained

Snap-In Mounting

Circuit Function		Poles & Throws	Ratings (Amps)			Actuator Color*	Bezel/Base Color	Lamp Voltage	Base Material	Actuator Material	Termination	Part Numbers	Fig. No.
			125 VAC	250 VAC	HP 125-250								
ON	OFF	SPST	15	10	3/4	Amber Transparent	Black	12V Neon	Nylon	Nylon or Polycarbonate	.187" QC	SS1225	1
ON	OFF	SPST	15	10	3/4	Amber Transparent	Black	125V Neon	Nylon	Nylon or Polycarbonate	.187" QC	SS1227	1

* Entire actuator lighted.

Paddle Actuator Switch/Non-Lighted - Maintained

Snap-In Mounting

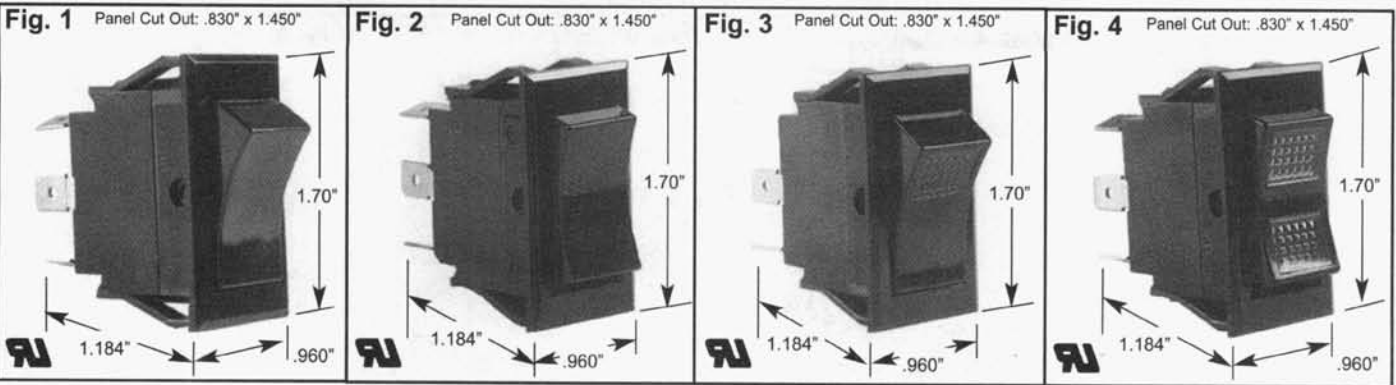
Circuit Function		Poles & Throws	Ratings (Amps)			Actuator Color	Bezel/Base Color	Imprinting	Base Material	Actuator Material	Termination	Part Numbers	Fig. No.
			125 VAC	250 VAC	HP 125-250								
ON	OFF	SPST	15	10	3/4	Black	Black	None	Nylon	Nylon	.187" QC	SS1230	2

Paddle Actuator Switches/Lighted - Maintained

Snap-In Mounting

Circuit Function		Poles & Throws	Ratings (Amps)			Actuator Color*	Lens Color	Bezel/Base Color	Lamp Voltage	Base Material	Actuator Material	Termination	Part Numbers	Fig. No.
			125 VAC	250 VAC	HP 125-250									
ON	OFF	SPST	15	10	3/4	Black	Amber	Black	12V Neon	Nylon	Nylon or Polycarbonate	.187" QC	SS1237	3
ON	OFF	SPST	15	10	3/4	Black	Red	Black	125V Neon	Nylon	Nylon or Polycarbonate	.187" QC	SS1239	3

Large Appliance Rocker Switches



Curved Rocker Switches/Lighted - Maintained

Snap-In Nylon Bezel, Phenolic Base, Nylon Actuator

Circuit Function	Poles & Throws	Ratings (Amps)			Actuator Color	Bezel/ Base Color	Termination	Part Number	Fig. No.
		125VAC	250VAC	HP 125-250VAC					
ON OFF	SPST	15	10	3/4	Black	Black	.250" QC	SS1101	1
ON OFF	DPST	15	10	1 1/2 @ 125, 2 @ 250	Black	Black	.250" QC	SS1104	1
ON ON	DPDT	15	10	1 1/2 @ 125, 2 @ 250	Black	Black	.250" QC	SS1105	1
ON OFF ON	DPDT	15	10	3/4	Black	Black	.250" QC	SS1103	1
ON OFF ON	DPDT	15	10	1 1/2 @ 125, 2 @ 250	Black	Black	.250" QC	SS1106	1

Curved Rocker Switches/Lighted - Momentary

Snap-In Nylon Bezel, Phenolic Base, Nylon Actuator

Circuit Function	Poles & Throws	Ratings (Amps)			Actuator Color	Bezel/ Base Color	Termination	Part Number	Fig. No.
		125VAC	250VAC	HP 125-250VAC					
(ON) OFF	DPST	15	10	3/4	Black	Black	.250" QC	SS1112	2
(OFF) ON	DPST	15	10	3/4	Black	Black	.250" QC	SS1113	2
(ON) ON	DPDT	15	10	3/4	Black	Black	.250" QC	SS1114	2
(ON) OFF (ON)	DPDT	15	10	3/4	Black	Black	.250" QC	SS1115	2
(ON) OFF (ON)	DPDT	15	10	3/4	Black	Black	.250" QC	SS1116	2

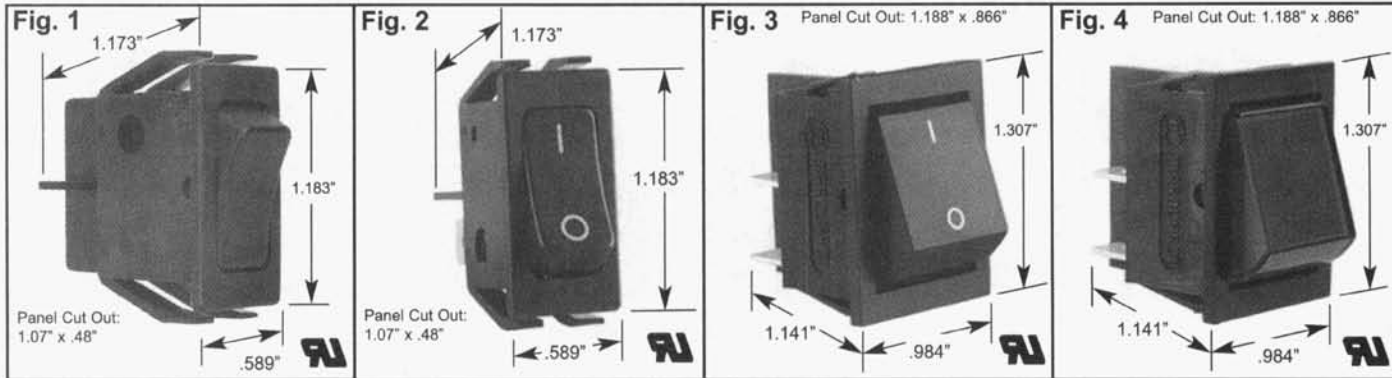
() Indicates momentary position.

Large Lighted Rocker Switches

Snap-In Nylon Bezel, Phenolic Base, Nylon Actuator

Circuit Function	Poles & Throws	Ratings(Amps)			Actuator Color		Lamp Voltage	Bezel/ Base Color	Termination	Part Number	Fig. No.
		125 VAC	250 VAC	HP 250 VAC	1st Lens	2nd Lens					
ON OFF	DPST	15	10	3/4 @ 250	Red	---	12V Incandescent	Black	.250" QC	SS1104-R-12	3
ON OFF	DPST	15	10	3/4 @ 250	Red	---	125 V Neon	Black	.250" QC	SS1104-R-125	3
ON OFF	DPST	15	10	3/4 @ 250	Amber	---	12 V Incandescent	Black	.250" QC	SS1104-A-12	3
ON OFF	DPST	15	10	3/4 @ 250	Amber	---	125 V Neon	Black	.250" QC	SS1104-A-125	3
ON ON	DPDT	15	10	3/4 @ 250	Red	Amber	125 V Neon	Black	.250" QC	SS1105-RA-125	4
ON OFF ON	DPDT	15	10	3/4 @ 250	Red	Red	125 V Neon	Black	.250" QC	SS1106-RR-125	4
ON OFF ON	DPDT	15	10	3/4 @ 250	Amber	Amber	125 V Neon	Black	.250" QC	SS1106-AA-125	4

Internationally Approved Rocker Switches



Non-Illuminated Rocker Switches - Maintained

Snap-In Mounting

Circuit Functions	Poles & Throws	Ratings	Actuator Color	Imprinting Color & Marking	Body Color	Termination	Mounting Style	Part Number	Fig. No.
ON OFF	SPST	16 A, 125-250VAC	Black	---	Black	.250" QC	Panel	SS-959	1
ON OFF	DPST	16 A, 125-250VAC	Black	White O/I Vertical	Black	.250" QC	Panel	SS-960	2

Double Pole Non-Illuminated Rocker Switches - Maintained

Snap-In Mounting

Circuit Functions	Poles & Throws	Ratings	Actuator/Lens Color	Lamp Voltage	Imprinting Color & Marking	Body Color	Termination	Mounting Style	Part Number	Fig. No.
ON OFF	DPST	16 Amps ¹	Matte Black	---	White O/I Vertical	Matte Black	.250" QC	Panel	SS-961	3

Double Pole Illuminated Rocker Switches - Maintained

Snap-In Mounting

Circuit Functions	Poles & Throws	Ratings	Actuator/Lens Color	Lamp Voltage	Imprinting Color & Marking	Body Color	Termination	Mounting Style	Part Number	Fig. No.
ON OFF	DPST	16 Amps ²	Red	110V	Red O	Black	.250" QC	Panel	SS-951	4

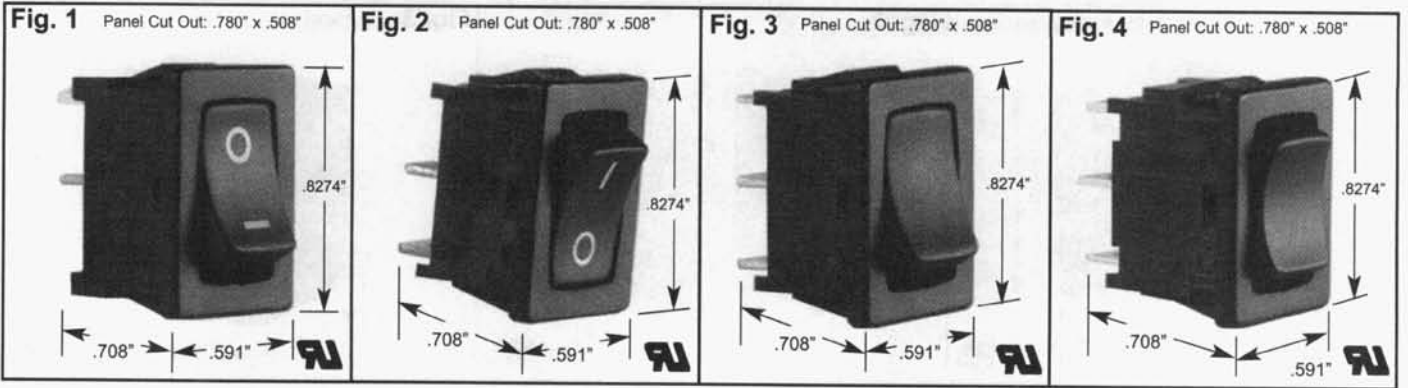
¹ 16 Amps, 125 VAC; 10 Amps, 250 VAC; 1/8 HP, 125 VAC; 1/3 HP, 250 VAC.
² 16 Amps, 125 VAC; 1/8 HP.



"It's kind of fun to do the impossible."

— Walt Disney

Internationally Approved Rocker Switches (Con't.)



SP Non-Illuminated Rocker Switches - Maintained

Snap-In Mounting

Circuit Functions	Poles & Throws	Ratings	Actuator Color	Imprinting Color & Marking	Body Color	Termination	Mounting Style	Part Number	Fig. No.
ON OFF	SPST	6 Amps ¹	Black	White O/I Horizontal	Black	.187" QC	Panel	SS-919	1
ON OFF	SPST	6 Amps ¹	Black	White O/I Vertical	Black	.187" QC	Panel	SS-920	2
ON OFF	SPST	10 Amps ²	Black	---	Black	.187" QC	Panel	SS-902	3

SP Non-Illuminated Rocker Switches - Momentary

Snap-In Mounting

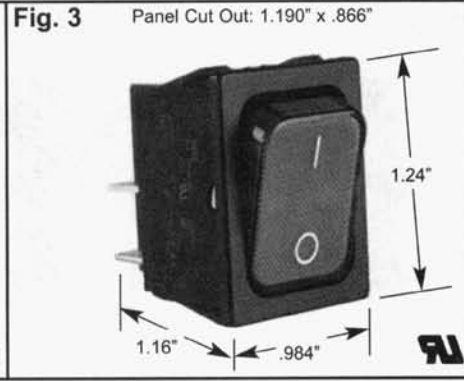
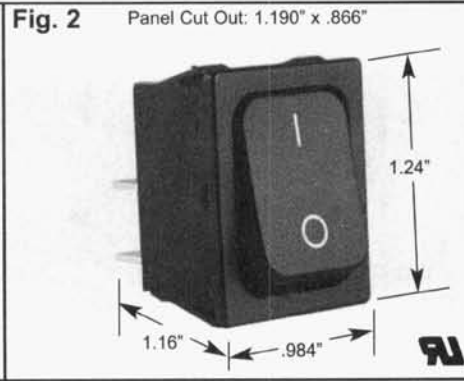
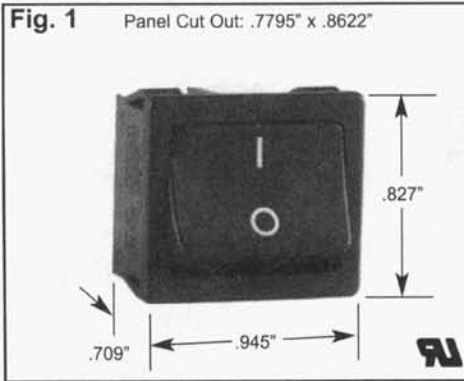
Circuit Functions	Poles & Throws	Ratings	Actuator Color	Imprinting Color & Marking	Body Color	Termination	Mounting Style	Part Number	Fig. No.
(ON) ON	SPDT	6 Amps ³	Black	---	Black	.187" QC	Panel	SS-904	4
(ON OFF) (ON)	SPDT	6 Amps ⁴	Black	---	Black	.187" QC	Panel	SS-906	4

() Indicates momentary position.
 1 6 Amps, 125-250 VAC; 1/4 HP, 125 VAC; 1/2 HP, 250 VAC.
 2 10 Amps, 125-250 VAC; 1/3 HP, 125 VAC; 1/2 HP, 250 VAC.
 3 6 Amps, 125 VAC; 4 Amps, 250 VAC, 1/10 HP 125-250 VAC.
 4 6 Amps, 125-250 VAC, 1/8 HP.



*"Plans are nothing.
Planning is everything"*
— Dwight D. Eisenhower

Internationally Approved Rocker Switches (Con't.)



DP Non-Illuminated Rocker Switch - Maintained

Snap-In Mounting

Circuit Functions	Poles & Throws	Ratings	Actuator Color	Imprinting Color & Marking	Body Color	Termination	Mounting Style	Part Number	Fig. No.
ON OFF	DPST	10 Amps ³	Black	White O/I Vertical	Black	.187" QC	Panel	SS-918	1

DP Non-Illuminated Rocker Switch - Momentary

Snap-In Mounting

Circuit Functions	Poles & Throws	Ratings	Actuator Color	Imprinting Color & Marking	Body Color	Termination	Mounting Style	Part Number	Fig. No.
(ON) OFF (ON)	DPDT	6 Amps ²	Black	---	Black	.187" QC	Panel	SS-912	1*

() Indicates momentary position.

DP Non-Illuminated Rocker Switches - Maintained

Snap-In Mounting

Circuit Functions	Poles & Throws	Ratings	Actuator Color	Imprinting Color & Marking	Body Color	Termination	Mounting Style	Part Number	Fig. No.
ON OFF	DPST	6 Amps ⁴	Black	White O/I Vertical	Black	.187" QC	Panel	SS-962	2
ON OFF	DPST	16 Amps ⁵	Black	White O/I Vertical	Black	.250" QC	Panel	SS-963	2

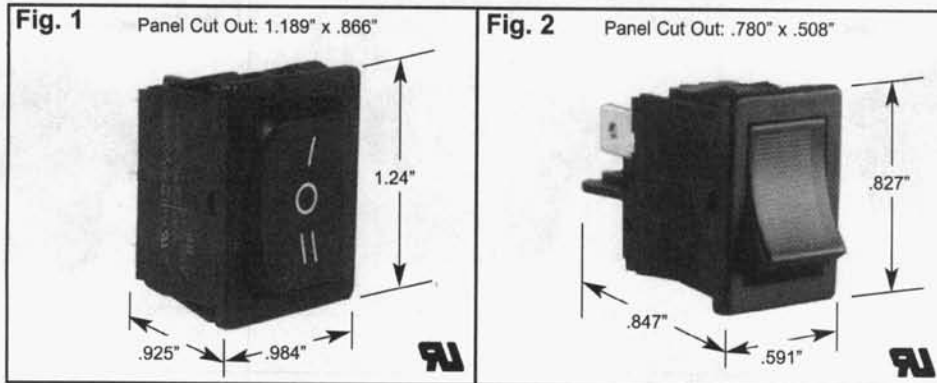
Double Pole Illuminated Rocker Switch - Maintained

Snap-In Mounting

Circuit Functions	Poles & Throws	Ratings	Actuator Color	Lamp Voltage	Imprinting Color & Marking	Body Color	Termination	Mounting Style	Part Number	Fig. No.
ON OFF	DPST	6 Amps ¹	Green	110V	White O/I Vertical	Black	.250" QC	Panel	SS-964	3

1 6 Amps, 125 VAC; 4 Amps, 250 VAC; 1/4 Hp 125-250 VAC.
 2 6 Amps, 125-250 VAC; 1/8 Hp.
 3 10 Amps, 125-250 VAC; 1/3 Hp, 125 VAC; 1/2 Hp, 250 VAC.
 4 6 Amps, 125-250 VAC; 1/4 Hp, 125 VAC; 1/2 Hp, 250 VAC.
 5 16 Amps, 125-250 VAC.
 * SS-912 has no imprinting or legends.

Internationally Approved Rocker Switches (Con't.)



Double Pole Non-Illuminated Rocker Switch - Maintained

Snap-In Mounting

Circuit Functions	Poles & Throws	Ratings	Actuator Color	Lamp Voltage	Imprinting Color & Marking	Body Color	Termination	Mounting Style	Part Number	Fig. No.
ON OFF ON	DPST	6 Amps ²	Black	---	White I/O/II Vertical	Black	.187" QC	Panel	SS-957	1

Double Pole Non-Illuminated Rocker Switch - Momentary

Snap-In Mounting

Circuit Functions	Poles & Throws	Ratings	Actuator Color	Lamp Voltage	Imprinting Color & Marking	Body Color	Termination	Mounting Style	Part Number	Fig. No.
(ON) OFF (ON)	DPST	6 Amps ¹	Black	---	---	Black	.187" QC	Panel	SS-965	1*

() Indicates momentary position.

SP/DP Illuminated/Non-Illuminated Rocker Switches - Maintained

Snap-In Mounting

Circuit Functions	Poles & Throws	Ratings	Actuator Color	Lamp Voltage	Imprinting Color & Marking	Body Color	Termination	Mounting Style	Part Number	Fig. No.
ON OFF	SPST	6 Amps ³	Red	110 V	---	Black	.187" QC	Panel	SS-921	2
ON OFF	DPST	6 Amps ³	Green	110 V	White O	Black	.187" QC	Panel	SS-922	2**
ON OFF	DPST	6 Amps ⁴	Black	---	White O/I Vertical	Black	.187" QC	Panel	SS-923	2**

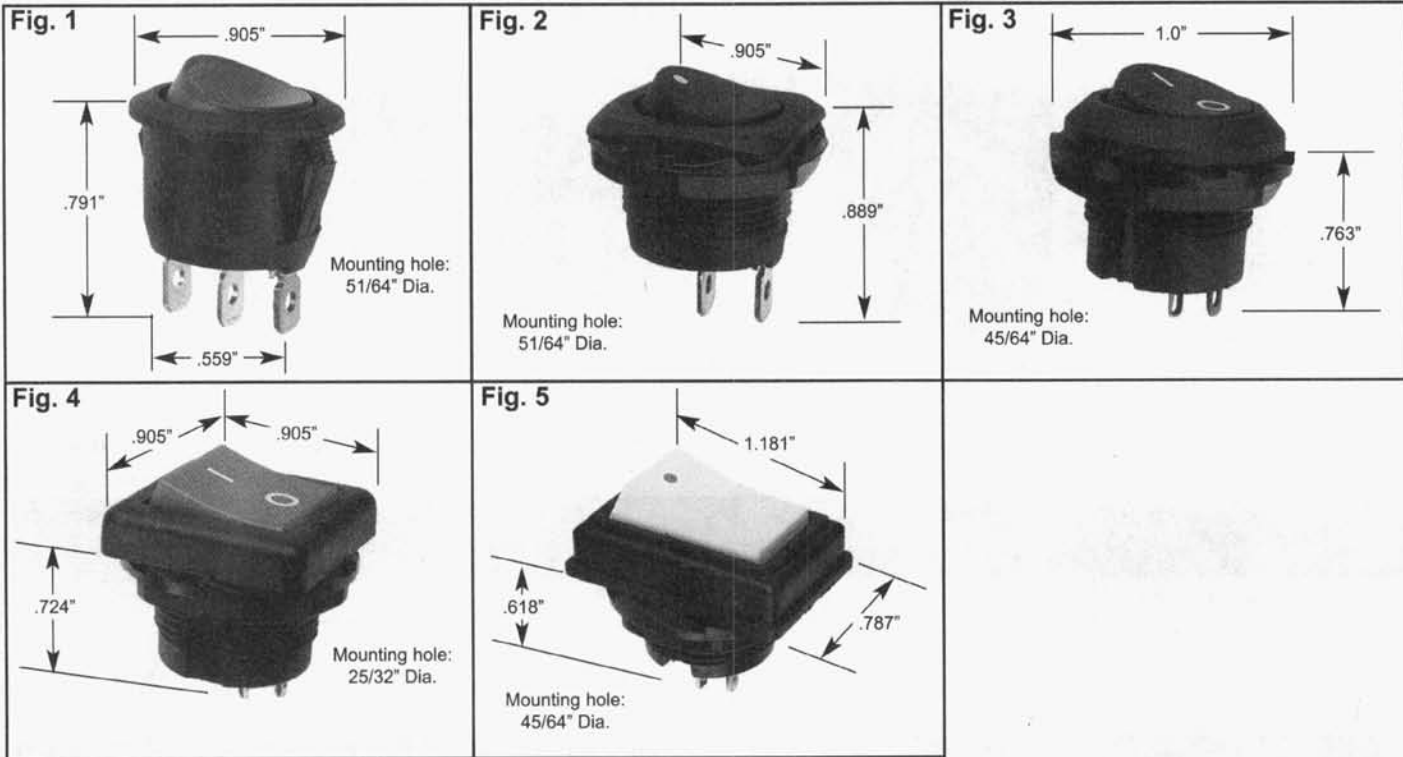
- 1 6 Amps, 125-250 VAC; 1/8 Hp.
- 2 6 Amps, 125-250 VAC; 1/4 Hp, 125 VAC; 1/2 Hp, 250 VAC.
- 3 6 Amps, 125 VAC; 1/10 Hp.
- 4 6 Amps, 125 VAC; 4 Amps, 250 VAC; 1/10 Hp, 125-250 VAC.
- * SS-965 has no imprinting or legends.
- ** SS-922 has white "O" imprinting on rocker. SS-923 has white "O I" vertically on rocker.



"What is important is not a single new idea, but the ability to continue to generate new ideas."

—Peppers & Rodgers

Round Hole Rocker Switches



Non-Illuminated Round Hole Rocker Switches - Maintained

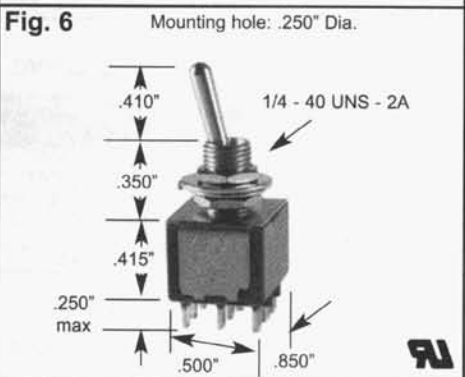
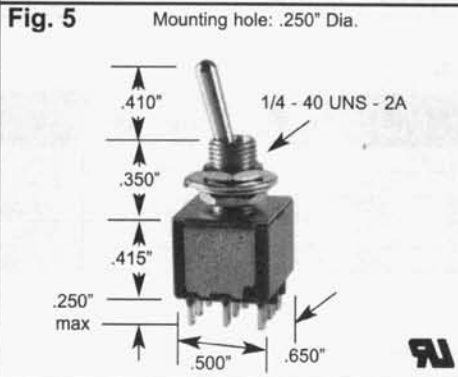
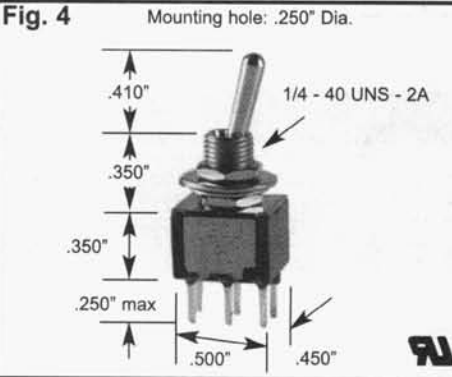
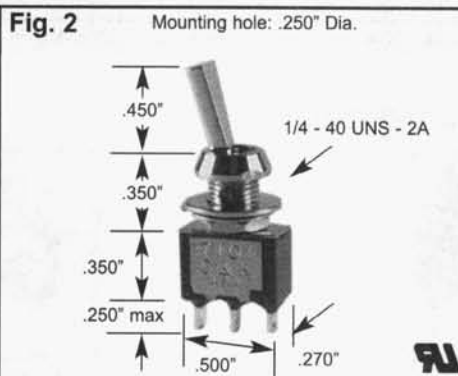
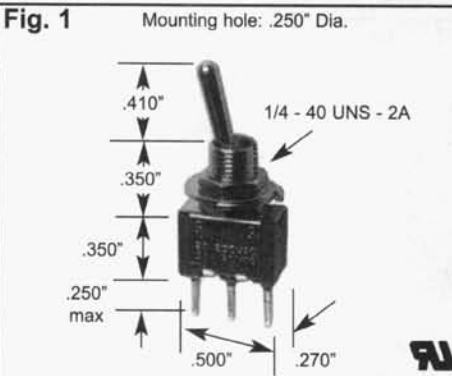
Circuit Function	Poles & Throws	Ratings (Amps)		Actuator Color	Bezel/Base Color	Termination	Part Number	Fig. No.
		125 VAC	250 VAC					
ON OFF	SPST	6	3	Black	Black	Solder	RH03	5
ON OFF	SPST	10	6	Black	Black	.187" QC	RH19	1
ON OFF	SPST	10	6	Black	Black	Plug-In	RH12	2
ON OFF	SPST	10	6	Red	Black	Solder	RH16	4
ON OFF	SPST	10	6	Black	Black	Solder	RH02	3
ON OFF ON	SPDT	10	6	Black	Black	.187" QC	RH22	1*
ON OFF ON	SPDT	10	6	Black	Black	Plug-In	RH15	2
ON ON	SPDT	6	3	Black	Black	Solder	RH05	5
ON ON	SPDT	10	6	Black	Black	.187" QC	RH21	1
ON ON	SPDT	10	6	Black	Black	Plug-In	RH14	2
ON ON	SPDT	10	6	Black	Black	Solder	RH39	3
ON ON	SPDT	10	6	Red	Black	Solder	RH18	4
ON ON	DPDT	6	3	Black	Black	Solder	RH04	5
ON ON	DPDT	10	6	Black	Black	Solder	RH38	3
ON ON	DPDT	10	6	Red	Black	Solder	RH17	4

* Not UL Recognized.

Illuminated Round Hole Rocker Switches - Maintained

Circuit Function	Poles & Throws	Ratings (Amps)		Actuator Color	Bezel/Base Color	Termination	Part Number	Fig. No.
		125 VAC	250 VAC					
ON OFF	SPST	10	6	Red	Black	.187" QC	RH20	1
ON OFF	SPST	10	6	Red	Black	Plug-In	RH13	2

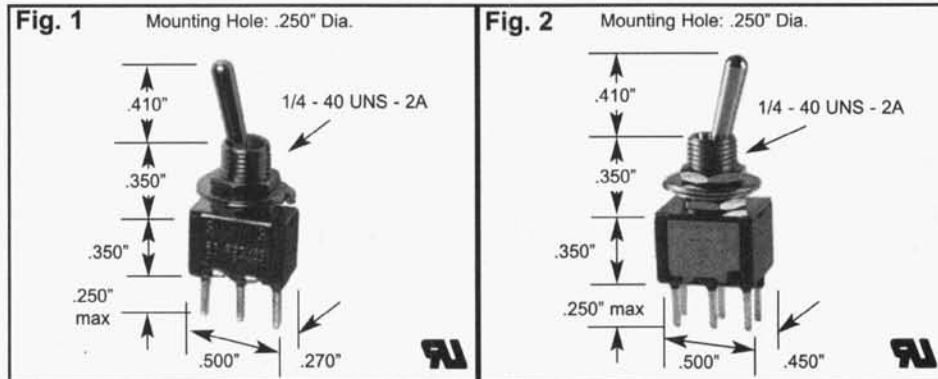
Miniature - Maintained Contact



Circuit Function	Poles & Throws	Actuator Style	Bushing Length	Termination	Contact Rating	Sealing Type	Part Number	Fig. No.
ON ON	SPDT	Long Bat	.350"	PCB	5 Amps*	Epoxy Seal	7101SYCQE	1
ON ON	SPDT	Long Bat	.350"	Solder Eyelet	5 Amps*	Epoxy Seal	7101SYZQE	1
ON ON	SPDT	Flat Lever**	.350"	Solder Eyelet	5 Amps*	Epoxy Seal	7101P3YZQE	2
ON ON	SPDT	Locking Lever (or pull to unlock lever)	.312"	Solder Eyelet	5 Amps*	Epoxy Seal	7101KZQE	3
ON ON	DPDT	Long Bat	.350"	PCB	5 Amps*	Epoxy Seal	7201SYCQE	4
ON ON	DPDT	Long Bat	.350"	Solder Eyelet	5 Amps*	Epoxy Seal	7201SYZQE	4
ON ON	3PDT	Long Bat	.350"	Solder Eyelet	5 Amps*	Epoxy Seal	7301SYZQE	5
ON ON	4PDT	Long Bat	.350"	Solder Eyelet	5 Amps*	Epoxy Seal	7401SYZQE	6
ON OFF ON	SPDT	Long Bat	.350"	PCB	5 Amps*	Epoxy Seal	7103SYCQE	1
ON OFF ON	SPDT	Long Bat	.350"	Solder Eyelet	5 Amps*	Epoxy Seal	7103SYZQE	1
ON OFF ON	DPDT	Long Bat	.350"	PCB	5 Amps*	Epoxy Seal	7203SYCQE	4
ON OFF ON	DPDT	Long Bat	.350"	Solder Eyelet	5 Amps*	Epoxy Seal	7203SYZQE	4
ON OFF ON	3PDT	Long Bat	.350"	Solder Eyelet	5 Amps*	Epoxy Seal	7303SYZQE	5
ON OFF ON	4PDT	Long Bat	.350"	Solder Eyelet	5 Amps*	Epoxy Seal	7403SYZQE	6

* 7000 Series: 5 Amps, 120 VAC/28 VDC; 2 Amps, 250 VAC
End Contacts: Coin silver, silver plated.
Center Contacts & all Terminals: Copper alloy, nickel plated.
** Antirotation

Miniature - Momentary Contact



Long Bat Miniature Toggle Switches

Circuit Function	Poles & Throws	Actuator Length	Bushing Length	Termination	Contact Rating	Sealing Type	Part Number	Fig. No.
ON (ON)	SPDT	.410"	.350"	Solder Eyelet	5 Amps*	Epoxy Seal	7108SYZQE	1
ON (ON)	DPDT	.410"	.350"	Solder Eyelet	5 Amps*	Epoxy Seal	7208SYZQE	2
ON OFF (ON)	SPDT	.410"	.350"	Solder Eyelet	5 Amps*	Epoxy Seal	7107SYZQE	1
(ON) OFF (ON)	SPDT	.410"	.350"	Solder Eyelet	5 Amps*	Epoxy Seal	7105SYZQE	1
(ON) OFF (ON)	DPDT	.410"	.50"	Solder Eyelet	5 Amps*	Epoxy Seal	7205SYZQE	2

() Indicates momentary position
 * 7000 Series: 5 Amps, 120 VAC/28 VDC; 2 Amps, 250 VAC
 End Contacts: Coin Silver, silver plated
 Center Contacts & all Terminals: Copper alloy nickel plated.



"The only thing that cannot be duplicated by another company or organization is the commitment, competence and enthusiasm of the people."

— Sheldon Bowles

Maintained Contact



Circuit Functions	Poles & Throws	Ratings			Actuator Style	Actuator Material	Wire Leads	Part Numbers		Solder Lugs	Fig. No.
		Amps 125 VAC	Amps 250 VAC	H.P. 125-250 VAC				Screws .250" Q.C.	SS		
OFF ON	SPST	6	3	---	Paddle	Plastic	---	---	RH23	1	
ON OFF	SPST	6	3	---	Bat	Brass/Nickel	---	SS201-1	---	2	
ON OFF	SPST	6*	3*	---	Bat	Brass/Nickel	SS204W	SS204-4	---	3	
ON OFF	SPST	10*	4*	---	Bat	Brass/Nickel	SS205-5	---	---	4	
ON OFF	SPST	15 Amps 6-12 VDC			Bat	Brass/Chrome & Nickel	---	SS514	---	5	
ON OFF	SPST	15 Amps 12 VDC			Flat	Polycarbonate	---	---	SS513 ^{1,2}	6	
ON OFF	SPST	15	10	3/4	Bat	Brass/Nickel	---	---	SS256L	7	
ON OFF	SPST	15	10	---	Flat	Nylon	---	SS508	SS501	8	

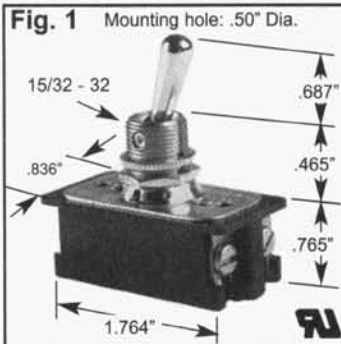
* Stated Amperage and voltage also valid for D.C. rating.
 † Also rated at 8 Amps 125 VDC.
 1 Lighted Toggle
 2 Actuator lights red when off and lights green when on.



"Not one shred of evidence supports the notion that life is serious."

— Anonymous

Maintained Contact (Con't.)



Circuit Functions	Poles & Throws	Ratings			Actuator Style	Actuator Material	Wire Leads	Screws	Part Numbers		Solder Lugs	Fig. No.
		Amps 125 VAC	Amps 250 VAC	H.P. 125-250 VAC					.250" Q.C.			
ON OFF	SPST	16	8*	1*	Flat	Polycarbonate	---	---	SS110 ¹²³	---	9	
ON OFF	SPST	16*	8*	1*	Bat	Brass/Nickel	---	SS209-8	---	---	1	
ON OFF	SPST	20	10	3/4	Bat	Brass/Nickel	---	---	SS113 ¹	---	2	
ON OFF	SPST	20	10	3/4	Bat	Brass/Nickel	---	SS206S	SS206SP SS202P	---	3	
ON OFF	SPST	20	10	1 1/2	Flat	Nylon	---	---	SS106 ¹	---	4	
ON OFF	SPST	20	20	1/2**	Flat	Nylon	---	---	SS251SP	---	5	
ON OFF	SPDT	6	3	---	Paddle	Plastic	---	---	---	RH26	6	
ON ON	SPDT	6	3	---	Paddle	Plastic	---	---	---	RH24	7	
ON ON	SPDT	15	10	---	Flat	Nylon	---	---	SS502 ²	---	8	

* Stated Amperage and Voltage also valid for DC rating.

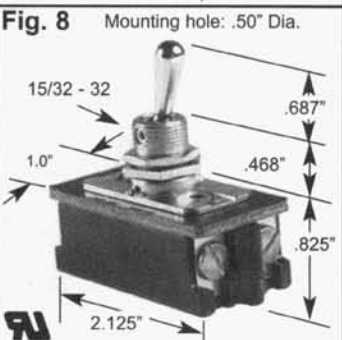
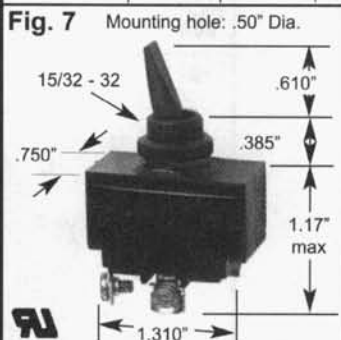
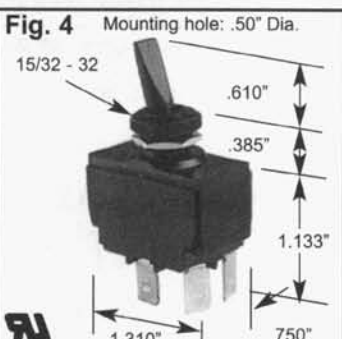
** 1 HP 250 VAC.

1 Separate Female Quick Connect Solderless Insulated Terminals, ST-16, provided with switch when ordered with suffix -BG.

2 With Solid Black Actuator.

3 Colors: Red, Green, Amber

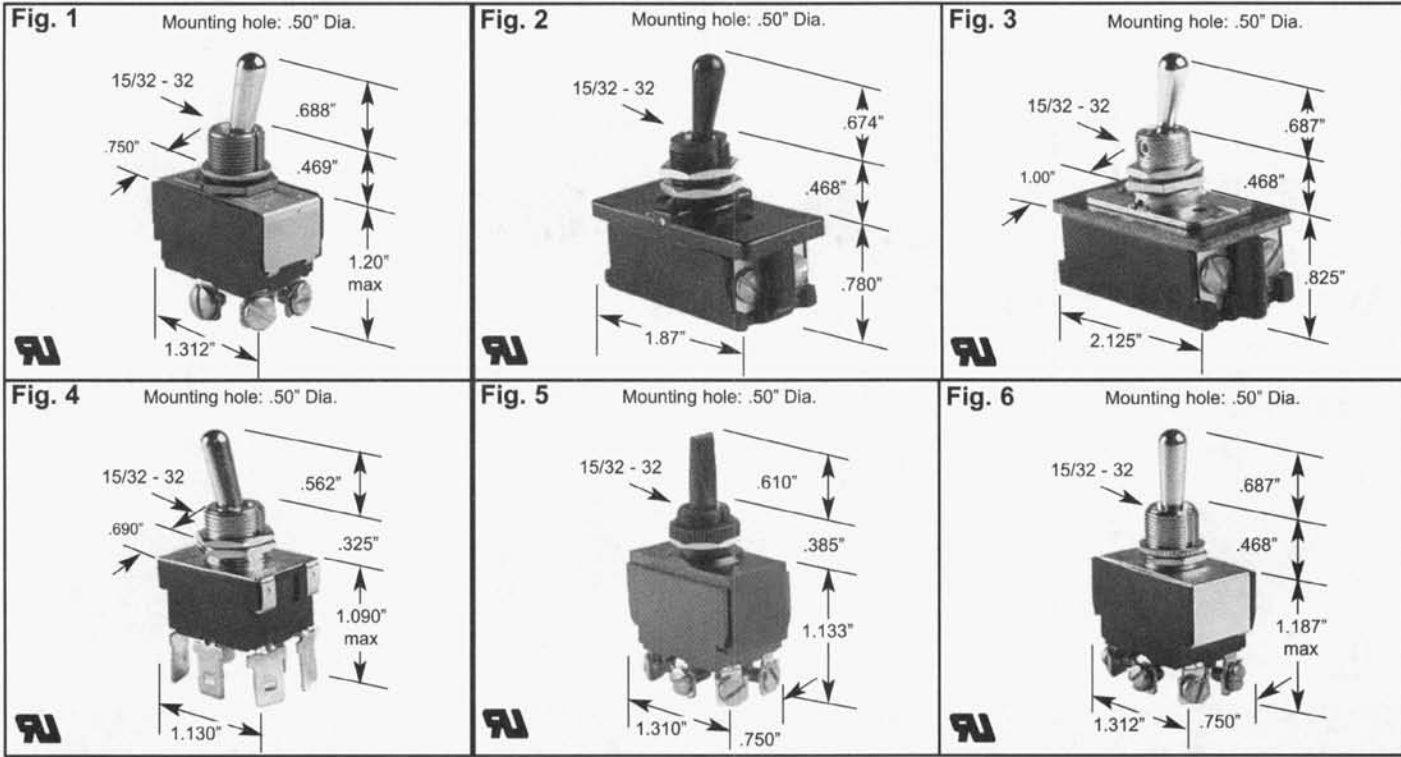
Maintained Contact (Con't.)



Circuit Functions	Poles & Throws	Amps 125 VAC	Ratings			Actuator Style	Actuator Material	Wire Leads	Part Numbers			Fig. No.
			Amps 250 VAC	H.P. 125-250 VAC	Screws .250" Q.C.				Solder Lugs			
ON ON	SPDT	20	10	3/4	Bat	Brass/Nickel	---	---	SS114 ¹	---	1	
ON ON	SPDT	20	10	3/4	Bat	Brass/Nickel	---	SS206R	SS206RP	---	2	
ON OFF ON	SPDT	6	3	---	Paddle	Plastic	---	---	---	RH25	3	
ON OFF ON	SPDT	15	10	---	Flat	Nylon	---	---	SS503 ²	---	4	
ON OFF ON	SPDT	20	10	3/4	Bat	Brass/Nickel	---	---	SS115 ¹	---	1	
ON OFF ON	SPDT	20	10	3/4	Bat	Brass/Nickel	---	SS206-15	SS206P	SS206L	2	
Circuits 1 & 2 ON	Circuit OFF 1 ON	15	10	3/4	Bat	Brass/Nickel	---	SS230	---	---	5	
ON OFF	DPST	15	10	3/4	Bat	Brass/Nickel	---	---	SS116 ^{1,3}	---	6	
ON OFF	DPST	15	10	---	Flat	Nylon	---	SS510	---	---	7	
ON OFF	DPST	15	10	3/4	Flat	Nylon	---	---	SS505	---	4	
ON OFF	DPST	16*	8*	1*	Bat	Brass/Nickel	---	SS210-9	---	---	8	

1 Separate Female Quick Connect Solderless Insulated Terminals, ST-16, provided with switch when ordered with suffix -BG.
 2 DPST shown.
 3 Bushing length .325"; Toggle length .562".
 * Stated Amperage and Voltage also valid for DC rating.

Maintained Contact (Con't.)



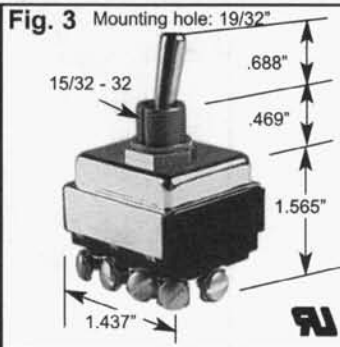
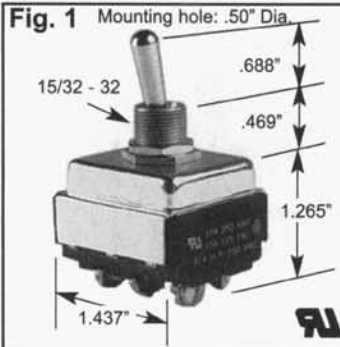
Circuit Functions	Poles & Throws	Amps 125	Ratings			Actuator Style	Actuator Material	Wire Leads	Part Numbers			Fig. No.
			Amps 250	H.P. 125-250	Screws				.250" Q.C.	Solder Lugs		
ON OFF	DPST	20	10	3/4	Bat	Brass/Nickel	----	SS207-7A	SS207P SS203P ¹	----	1	
ON OFF	DPST	16*	8*	1*	Bat	Nylon	----	SS218**	----	----	2	
ON OFF	DPST	20*	10*	1 1/2*	Bat	Brass/Nickel	----	SS211-16A	----	----	3	
ON ON	DPDT	15	10	3/4	Bat	Brass/Nickel	----	----	SS117 ¹	SS117L	4	
ON ON	DPDT	15	10	3/4	Flat	Nylon	----	SS511	SS506	----	5	
ON ON	DPDT	20	10	3/4	Bat	Brass/Nickel	----	SS208R	SS208RP	----	6	
ON OFF ON	DPDT	15	10	3/4	Flat	Nylon	----	SS512	SS507	----	5	
ON OFF ON	DPDT	15	10	3/4	Bat	Brass/Nickel	----	----	SS118 ¹	----	4	
ON OFF ON	DPDT	20	10	3/4	Bat	Brass/Nickel	----	SS208-16	SS208P	----	6	

* Stated Amperage and Voltage also valid for DC rating.

** Double insulated for shock proof requirements.

1 Separate Female Quick Connect Solderless Insulated Terminals, ST-16, provided with switch when ordered with suffix -BG.

Maintained Contact (Con't.)



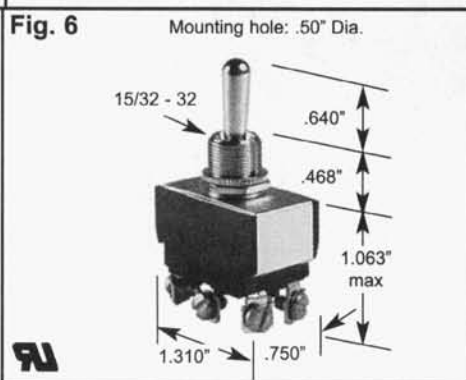
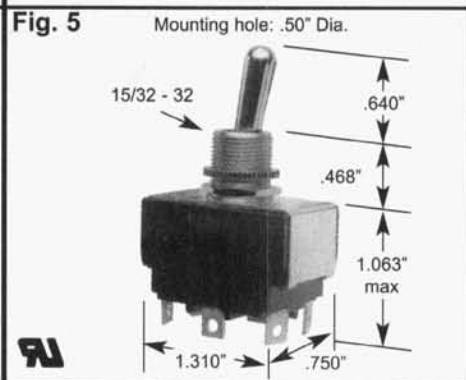
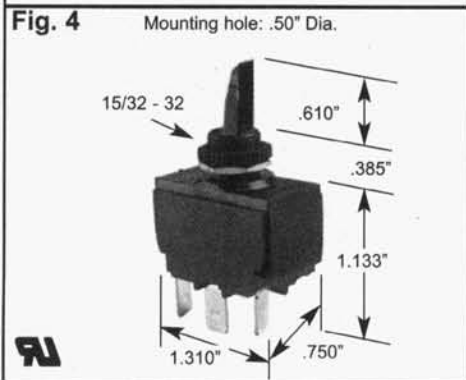
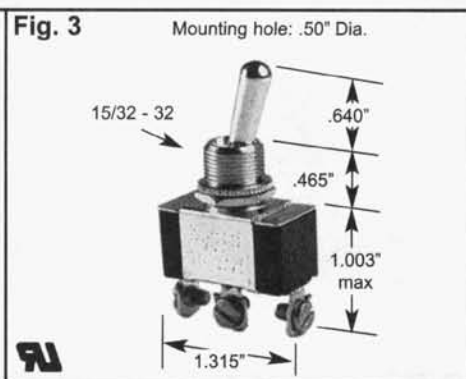
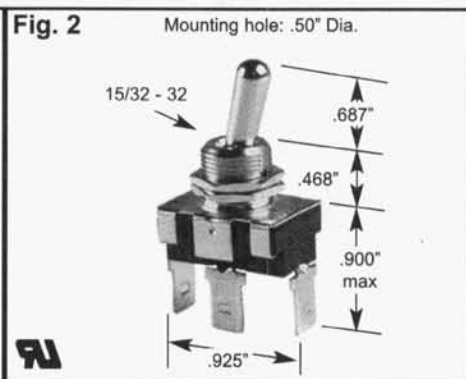
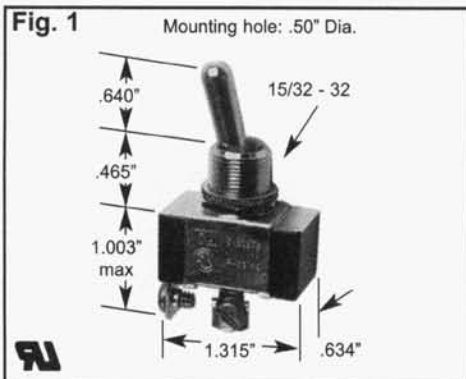
Circuit Functions	Poles & Throws	Ratings			Actuator Style	Actuator Material	Wire Leads	Part Numbers			Solder Lugs	Fig. No.
		Amps 125 VAC	Amps 250 VAC	H.P. 125-250 VAC				Screws .250" Q.C.	.250" Q.C.			
ON OFF	3PST	15	10	3/4 @ 250	Bat	Brass/Nickel	----	SS212S*	----	----	1	
ON ON	3PDT	15	10	3/4 @ 250	Bat	Brass/Nickel	----	SS212*	----	----	2	
ON OFF ON	3PDT	15	10	3/4 @ 250	Bat	Brass/Nickel	----	SS212A*	----	----	2	
ON OFF	4PST	15	10	3/4 @ 250	Bat	Brass/Nickel	----	SS219S*	----	----	3	
ON ON	4PDT	15	10	3/4 @ 250	Bat	Brass/Nickel	----	SS219*	----	----	4	
ON OFF ON	4PDT	15	10	3/4 @ 250	Bat	Brass/Nickel	----	SS220*	----	----	4	

* Also rated 1, 2, or 3 phase.



*"While innovation is risky,
non-innovation can be fatal."*
— Philip Kotler

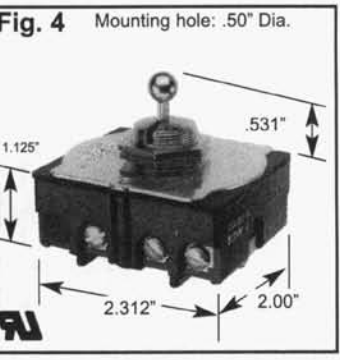
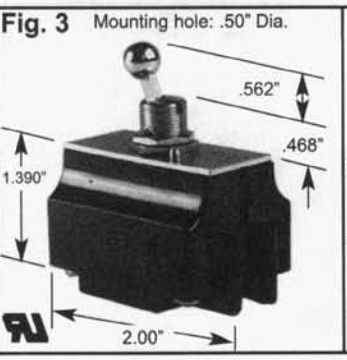
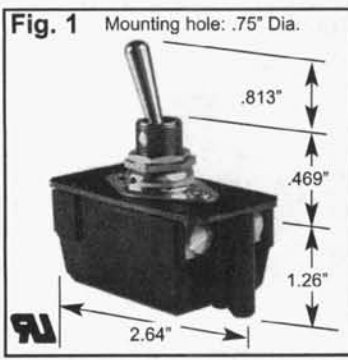
Momentary Contact



Circuit Functions	Poles & Throws	Amps 125 VAC	Ratings			Actuator Style	Actuator Material	Wire Leads	Part Numbers			Fig. No.
			Amps 250 VAC	H.P. 125-250 VAC	Screws .250" Q.C.				Solder Lugs			
OFF (ON)	SPST	6	3	1/4*	Bat	Brass/Nickel	----	SS277S	----	----	1	
OFF (ON)	SPST	15	10	3/4	Bat	Brass/Nickel	----	SS206A	SS206AP	----	1	
OFF (ON)	SPST	15	10	3/4	Bat	Brass/Nickel	----	----	SS296P	SS296L	2	
ON OFF (ON)	SPDT	15	10	3/4	Bat	Brass/Nickel	----	SS206B	SS206BP	----	3	
(ON) OFF (ON)	SPDT	15	10	3/4	Bat	Brass/Nickel	----	SS206C	SS206CP	----	3	
(ON) OFF (ON)	SPDT	15	10	3/4	Flat	Nylon	----	----	SS504	----	4	
OFF (ON)	DPST	15	10	3/4	Bat	Brass/Nickel	----	SS208A	----	----	6	
ON (OFF)	DPST	15	10	3/4	Bat	Brass/Nickel	----	SS208D	----	----	6	
(ON) ON	DPDT	15	10	3/4	Bat	Brass/Nickel	----	----	----	SS208EL	5	
ON OFF (ON)	DPDT	15	10	3/4	Bat	Brass/Nickel	----	SS208B	----	----	6	
(ON) OFF (ON)	DPDT	15	10	3/4	Bat	Brass/Nickel	----	SS208C	----	----	6	

(*) Indicates momentary position.
1/4 HP at 120 - 240 VAC.

Heavy Duty Maintained Contact



Circuit Functions	Poles & Throws	Amps 125 VAC	Ratings		Actuator Style	Actuator Material	Part Numbers	Screws	.250" Q.C.	Fig. No.
			Amps 250 VAC	H.P. 125-250 VAC						
ON OFF	DPST	20 A 250 VAC/DC; 2Hp 250 VAC/DC	1-1/2 Hp 125 VAC/DC		Bat	Brass/Nickel	SS627		----	1
ON OFF ON**	DPDT	14 A 125 VAC/DC; 7 A 250 VAC/DC	3/4 Hp 125-250 VAC/DC		Ball	Brass/Nickel	SS607*		----	2
ON OFF	3PST	20 A 250 VAC; 1-1/2 HP 115 VAC; 2 Hp 230-575 VAC**			Ball	Steel	SS628		----	3
ON OFF ON	3PDT	10 A 125 VAC/DC; 5 A 250 VAC/DC	1/2 Hp 120-240 VAC		Ball	Steel	SS608		----	4
ON OFF ON	4PDT	10 A 125 VAC/DC; 5 A 250 VAC/DC	1/2 Hp 113-250 VAC		Ball	Steel	SS609		----	4

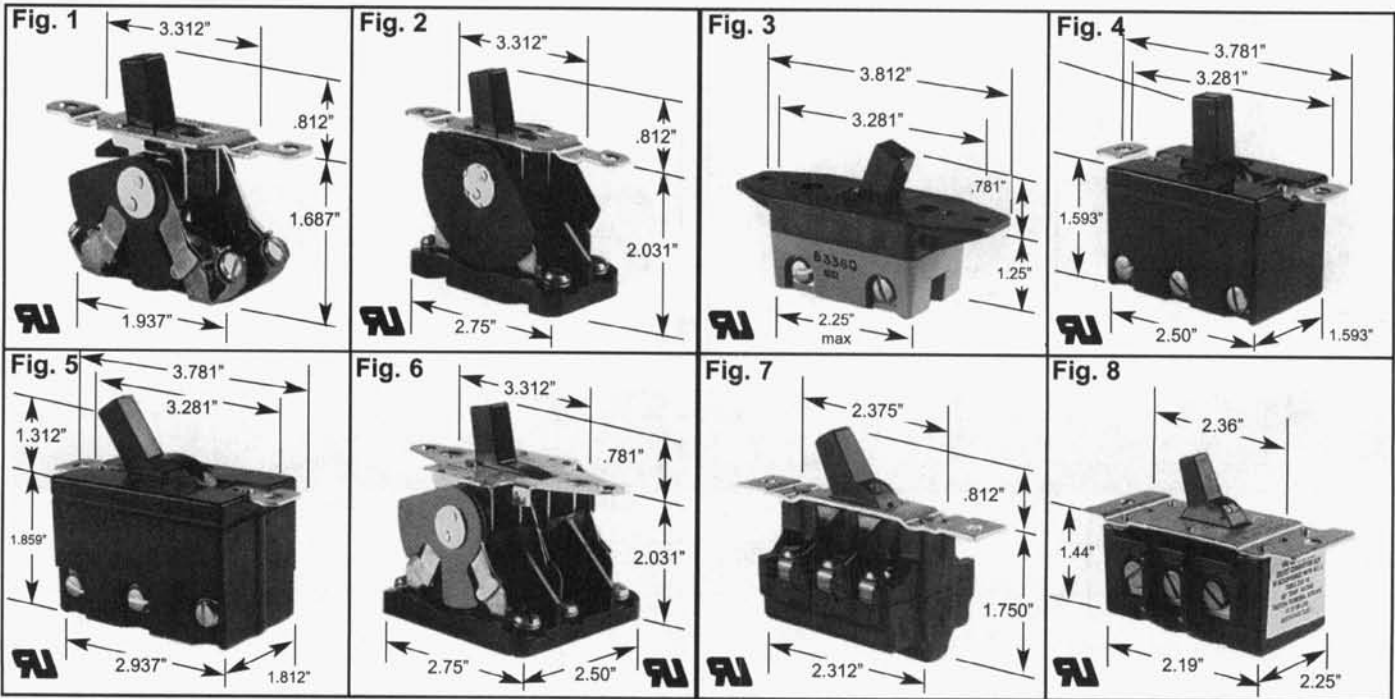
* Positive Center OFF
** Also rated 1 phase at 115 VAC, 1.5 HP, 1, 2, or 3 phase at 230 - 575 VAC, 2 HP



"An optimist is someone who goes after Moby Dick in a rowboat and takes the tartar sauce with him"

— Zig Ziglar

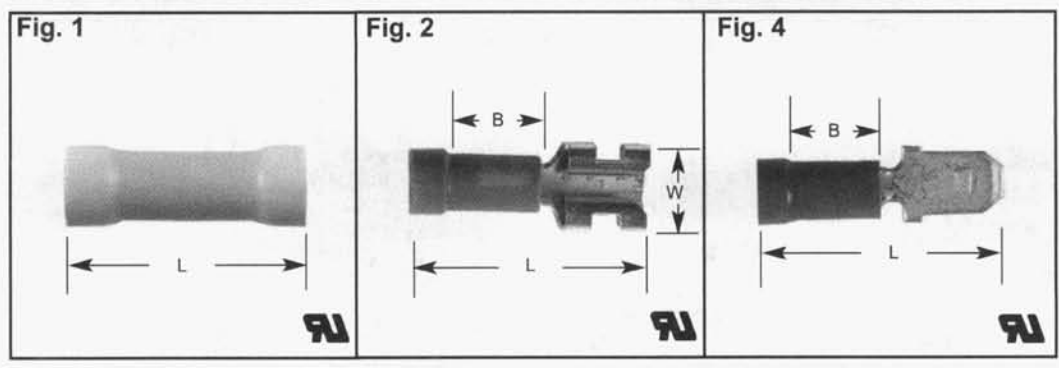
Extra Heavy Duty - Maintained Contact



Circuit Functions	Poles & Throws	Ratings			Actuator Style	Actuator Material	Body Material	Part Number Screws	Fig. No.
		Amps 125 VAC	Amps 250 VAC	H.P. 125-250 VAC					
ON OFF	DPST	30 A 250 VAC/DC; 2HP 120-240 VAC; 1 HP 480 VAC			Square	Phenolic	Steel/ Phenolic	SS615	1
ON OFF	DPST	30 A 250 VAC/DC; 20 A 600VAC 2 HP 120-600 VAC			Square	Phenolic	Steel/ Phenolic	SS616	2
ON OFF	DPST	40 A, 600 VAC 5 HP 250 VAC			Square	Nylon Thermoset	Molded	SS626	3
ON OFF ON**	DPDT	20 A 125 VAC/DC 10 A 250 VAC/DC; 5A 600 VAC; 1-1/2 HP 250 VDC; 2 HP 240 VAC			Square	Phenolic	Phenolic	SS620*	4
ON OFF ON**	DPDT	30 A 125 VAC/DC; 20 A 250 VAC/DC; 2 HP 250 VAC/DC			Square	Phenolic	Phenolic	SS621*	5
ON OFF	3PST	30 A 250 VAC/DC; 20 A 600 VAC ¹ 2 HP 120-600 VAC			Square	Phenolic	Steel/ Phenolic	SS619	6
ON OFF	3PST	30 A 250 VAC; 20 A 600 VAC ¹			Square	Phenolic	Phenolic	SS618	7
ON OFF	3PST	3 HP 125 VAC; 7-1/2 HP 240 VAC 10HP 480VAC; 15HP 550-600VAC 30 A 600 VAC; 3 HP 125 VAC			Square	Phenolic	Phenolic	SS618A	8
		7-1/2 HP 240 VAC; 15HP 480 VAC; 20 HP 600 VAC							

* Positive Center OFF.
** Also rated 1 phase at 115 VAC; 1.5 HP, 1, 2, or 3 phase at 230-575 VAC, 2 HP.
1 Also rated 3 phase.

Butt Connectors/Female & Male Quick Connect Slides



Butt Connectors

Wire Size/ CMA Range	Color Code	Insulation Dia. (inches)	Basic Terminal Dimension			Vinyl Insulated Butted Seam Flared Barrel Part Number*	Pcs. per Bag ¹	Fig. No.
			ID Inches	OD Inches	L Inches			
12-10 5180-13,100	Yellow	.255	.142	---	1.01	ST-17	70	1
16-14 2050-5180	Blue	.190	.090	---	1.02	ST-19	100	1
22-18 509-3260	Red	.160	.055	---	.95	ST-18	100	1

Female Quick Connect Slide

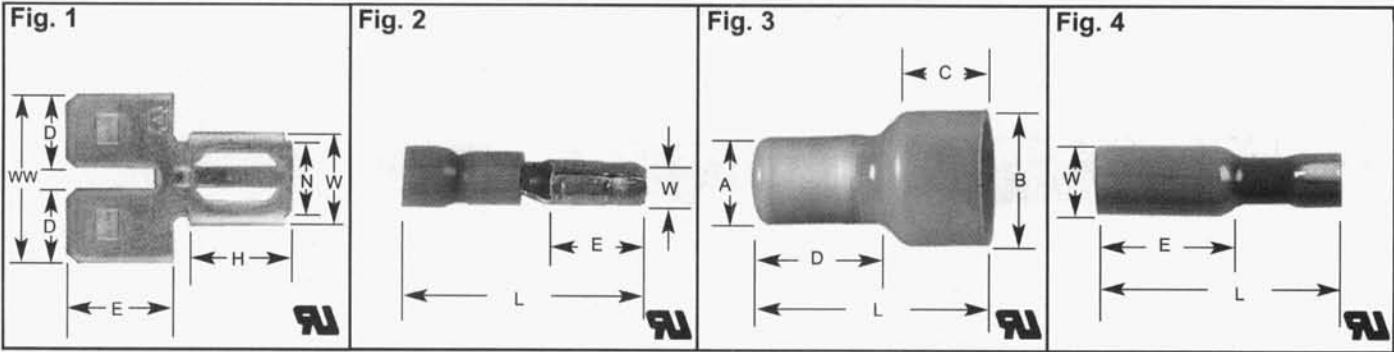
Wire Size CMA Range	Color Code	Insulation Dia. Inches	Basic Terminal Dimensions			L Inches	B Inches	Vinyl Insulated Butted Seam Funnel Barrel Part Number	Pcs. per Bag ¹	Fig. No.
			Barrel Inside Dia. (Inches,mm)	NEMA Tab	W Inches					
12-10 5180-13,100	Yellow	.25"	.136" 3,45	.032" x .250"	.310	0.93	.234	ST-36	80	2
16-14 2050-5180	Blue	.14"	.07" 1,78	.020" x .187"	.23	0.87	.172	ST-37	100	2
16-14 2050-5180	Blue	.14"	.07" 1,78	.032" x .250"	.310	0.87	.234	ST-16	100	2
18-14 1600-5180	---	---	.081"	.032" x .250"	.25	.50	---	ST-59**	100	---
22-18 509-2050	Red	.14"	.057" 1,45	.020" x .187"	.233	0.86	.172	ST-42	100	2
22-18 509-2050	Red	.14"	.070" 1,78	.032" x .250"	.310	0.93	.234	ST-21B	100	2

Male Quick Connect Slide

Wire Size CMA Range	Color Code	Insulation Dia. Inches	Basic Terminal Dimensions			L Inches	B Inches	Vinyl Insulated Butted Seam Funnel Barrel Part Number	Pcs. per Bag ¹	Fig. No.
			Barrel Inside Dia. (Inches,mm)	NEMA Tab	W Inches					
12-10 5180-13,100	Yellow	.250"	.130" 3,30	.032" x .250"	---	1.05	.250	ST-40	80	3
16-14 2050-5180	Blue	.17"	.09"	.032" x .250"	---	0.97	.250	ST-15	100	3
22-18 50-2050	Red	.14"	.05"	.032" x .250"	---	0.97	.250	ST-20B	100	3

* Also available in Nylon Insulated & Non-Insulated Brazed Seam. Please Contact Sales Department for more information.
 ** High temperatures terminal. 900°F Maximum Operating Temperature, Non-Insulated.
 1 Solderless Terminals are available in both Poly Zip-Lock Bag packaging and Bulk packaging. The "Pieces Per Bag" column refers to the Poly Zip-lock Bag packaging while the Bulk packaging has a 1,000 Pc. minimum multiples. Please indicate package preference by adding a "-BG" suffix or a "-BK" suffix for bulk.

Slip-On/Pigtails/Plugs/Receptacles



Double Mate Tab Single Female Slip-On

Stud Size	L Inches	WW Inches	D Inches	E Inches	H Inches	W Inches	U Inches	N Inches	Part Number	Pcs./ Bag*	Fig. No.
.250"	.78"	.572"	.253"	.315"	.318"	.324"	.105"	.250"	ST-63	65	1

Male Plugs

Wire Range CMA	Color Code	Basic Terminal Dimension				Vinyl Insulated Butted Seam Funnel Barrel Part Number	Pcs./ Bag*	Fig. No.
		Barrel	W	L	E			
18-14 1600-5180	Blue	.081"	.156"	.92"	.345"	ST-29	90	2
18-14 1600-5180	Blue	.081"	.180"	.97"	.447"	ST-48	90	2
22-18 509-2050	Red	.057"	.156"	.91"	.345"	ST-50	90	2

Nylon Insulated Pigtails (Closed End Connectors)

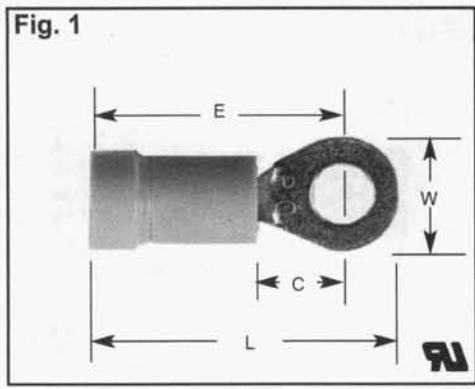
Wire Range CMA	Color Code	A Inches	B Inches	C Inches	D Inches	L Inches	Nylon Fully Insulated Part Number	Pcs./ Bag*	Fig. No.
18-14 1600-13,100	White	.16	.40	.27	.32	.81	ST-23	80	3
22-14 509-5180	White	.10	.28	.19	.32	.73	ST-22	100	3

Receptacles

Wire Range CMA	Color Code	Insulation Dia. Inches	Basic Terminal Dimension			Fits Male Plug Dia.	Vinyl Insulated Funnel Part Number	Pcs./ Bag*	Fig. No.	
			Barrel Inside Dia.	W Inches	L Inches					E Inches
18-14 1600-5180	Blue	.160	.081	.18	1.03	.345	.156	ST-33	50	4
22-18 509-2050	Red	.125	.061	.18	1.03	.345	.156	ST-49	50	4

* Solderless Terminals are available in both Poly Zip-Lock Bag packaging and Bulk packaging. The "Pcs. per Bag" column refers to the Poly Zip-Lock bag packaging while the Bulk packaging has a 1,000 Pc. minimum multiples. Please indicate package preference by adding a "-BG" suffix or a "-BK" suffix for bulk.

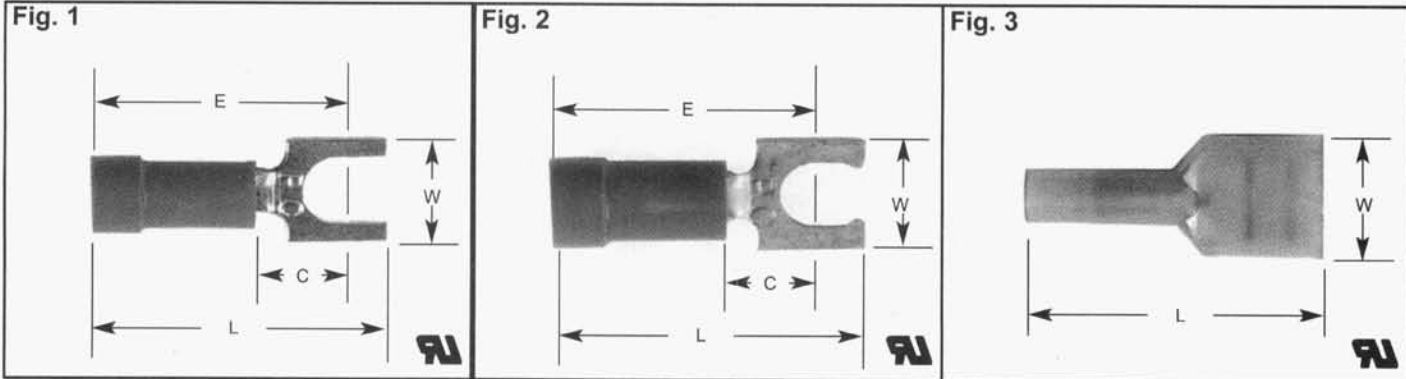
Ring Tongue Solderless



Wire Size/ CMA	Color Code	Insulation Dia. Inches	Basic Terminal Dimensions			Vinyl Insulated Butted Seam Funnel Barrel			Part Number*	Pcs/ Bag**	Fig. No.
			Barrel Inside Dia.	Stud Size	W Inches	C Inches	L Inches	E Inches			
12-10 AWG 5180-13,100	Yellow	.265	.131" 3,33	10	0.38	0.28	1.00	0.80	ST-12A	75	1
12-10 AWG 5180-13,100	Yellow	.265	.131" 3,33	1/4	0.61	0.44	1.28	0.94	ST-9	60	1
12-10 AWG 5180-13,100	Yellow	.265	.131" 3,33	5/16	0.61	0.44	1.28	0.94	ST-43	60	1
12-10 AWG 5180-13,100	Yellow	.265	.131" 3,33	3/8	0.61	0.44	1.28	0.94	ST-13A	60	1
16-14 AWG 2050-5180	Blue	.198	.085" 2,16	6	0.31	0.28	0.96	0.83	ST-5	100	1
16-14 AWG 2050-5180	Blue	.198	.085" 2,16	8	0.31	0.28	0.99	0.83	ST-44	100	1
16-14 AWG 2050-5180	Blue	.198	.085" 2,16	10	0.31	0.28	0.99	0.83	ST-8	100	1
16-14 AWG 2050-5180	Blue	.198	.085" 2,16	1/4	0.46	0.44	1.21	0.98	ST-45	75	1
16-14 AWG 2050-5180	Blue	.198	.085" 2,16	5/16	0.46	0.44	1.13	0.90	ST-46	75	1
16-14 AWG 2050-5180	Blue	.198	.085" 2,16	3/8	0.53	0.44	1.25	0.98	ST-10	75	1
22-18 509-3260	Red	.160	.061" 1,55	6	0.31	0.28	0.91	0.77	ST-6A	100	1
22-18 509-3260	Red	.160	.061" 1,55	8	0.31	0.28	0.91	0.77	ST-53	100	1
22-18 509-3260	Red	.160	.061" 1,55	10	0.31	0.28	0.91	0.77	ST-7A	100	1

* Also available in Nylon insulated & Non-Insulated Brazed Seam. Please contact Sales Department for more information.
 ** Solderless Terminals are available in both Poly Zip-Lock Bag packaging and Bulk packaging. The "Piece per Bag" column refers to the Poly Zip-Lock Bag packaging while the bulk packaging has a 1,000 Pc. minimum multiples. Please indicate package preference by adding a "-BG" suffix for the bag or a "-BK" suffix for bulk.

Spade Tongue Solderless/Fully Insulated Nylon Couplers



Spade Tongue Solderless

Wire Size/ CMA	Color Code	Insulation Dia. Inches	Basic Terminal Dimensions			Vinyl Insulated Butted Seam Funnel Barrel			Part Number*	Pcs/ Bag**	Fig. No.
			Barrel Inside Dia.	Stud Size	W Inches	C Inches	L Inches	E Inches			
12-10 AWG 5180-13,100	Yellow	.260	.131" 3,33	6	0.31	0.28	1.01	0.83	ST-24A	75	1
12-10 AWG 5180-13,100	Yellow	.260	.131" 3,33	8	0.31	0.28	1.01	0.83	ST-28A	75	1
12-10 AWG 5180-13,100	Yellow	.260	.131" 3,33	10	0.31	0.28	1.01	0.83	ST-4	75	1
16-14 AWG 2050-5180	Blue	.198	.085" 2,16	6	0.29	0.25	0.88	0.72	ST-1A	100	1
16-14 AWG 2050-5180	Blue	.198	.085" 2,16	8	0.31	0.25	0.88	0.72	ST-14A	100	1
16-14 AWG 2050-5180	Blue	.198	.085" 2,16	10	0.31	0.25	0.88	0.72	ST-3	100	1
22-18 AWG 509-3260	Red	.150	.07" 1,55	6	0.29	0.25	0.88	0.72	ST-2	100	1
22-18 AWG 509-3260	Red	.150	.07" 1,55	8	0.31	0.25	0.88	0.72	ST-35	100	1
22-18 AWG 509-3260	Red	.150	.07" 1,55	10	0.31	0.25	0.88	0.72	ST-11A	100	1

Locking Spade Tongue

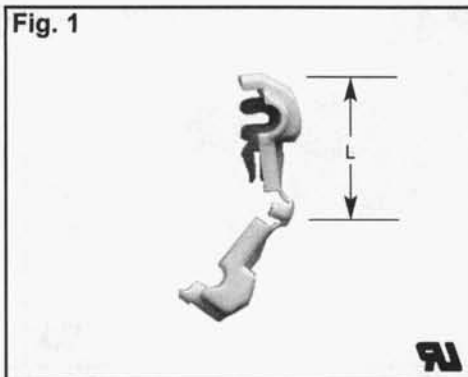
Wire Size/ CMA	Color Code	Insulation Dia. Inches	Basic Terminal Dimensions			Vinyl Insulated Butted Seam Funnel Barrel			Part Number*	Pcs/ Bag**	Fig. No.
			Barrel Inside Dia.	Stud Size	W Inches	C Inches	L Inches	E Inches			
16-14 AWG 2050-5180	Blue	.198	.085"	8	0.31	0.25	.87	0.70	ST-68	100	2

Fully Insulated Nylon Couplers

Wire Size/ CMA	Color Code	Insulation Dia. Inches	Terminal Type	Basic Terminal Dimensions			Nylon Insulated Funnel Barrel			Part Number*	Pcs/ Bag**	Fig. No.
				NEMA Tab	W Inches	H Inches	L Inches	Material Thickness				
16-14 AWG 2050-5180	Blue	.150	Female	.032" x .250"	0.40	0.22	.96	.018	ST-47	50	3	
16-14 2050-5180	Blue	.180	Male	.032" x .250"	0.48	.30	1.03	.032	ST-41	50	3	
22-18 509-2050	Red	.128	Female	.032" x .250"	0.40	.22	0.98	.018	ST-38	50	3	
22-18 509-2050	Red	.155	Male	.032" x .250"	0.48	.29	1.05	.032	ST-39	50	3	

* Also available in Nylon Insulated & Non-Insulated Brazed Seam. Please Contact Sales Department for more information.
** Solderless Terminals are available in both Poly Zip-Lock Bag packaging and Bulk packaging. The "Pieces per Bag" column refers to the Poly Zip-Lock Bag packaging has a 1,000 Pc minimum multiples. Please indicate package preference by adding a "-BG" suffix for bag or a "-BK" suffix for bulk.

Self-Stripping T-Tap Female Quick Slide



Wire Range CMA	Color Code	Maximum Insulation Dia.	Mates with Male Tab			Part Number	Pcs./ Bag*	Fig. No.	
			W Inches	Thickness	L Inches				H Inches
12-10 AWG	Yellow	.150"	.250"	.032"	.73"	.44"	ST-52Y	40	1
16-14 AWG	Blue	.150"	.250"	.032"	.73"	.44"	ST-52B	50	1
22-18 AWG	Red	.150"	.250"	.032"	.73"	.44"	ST-52R	50	1

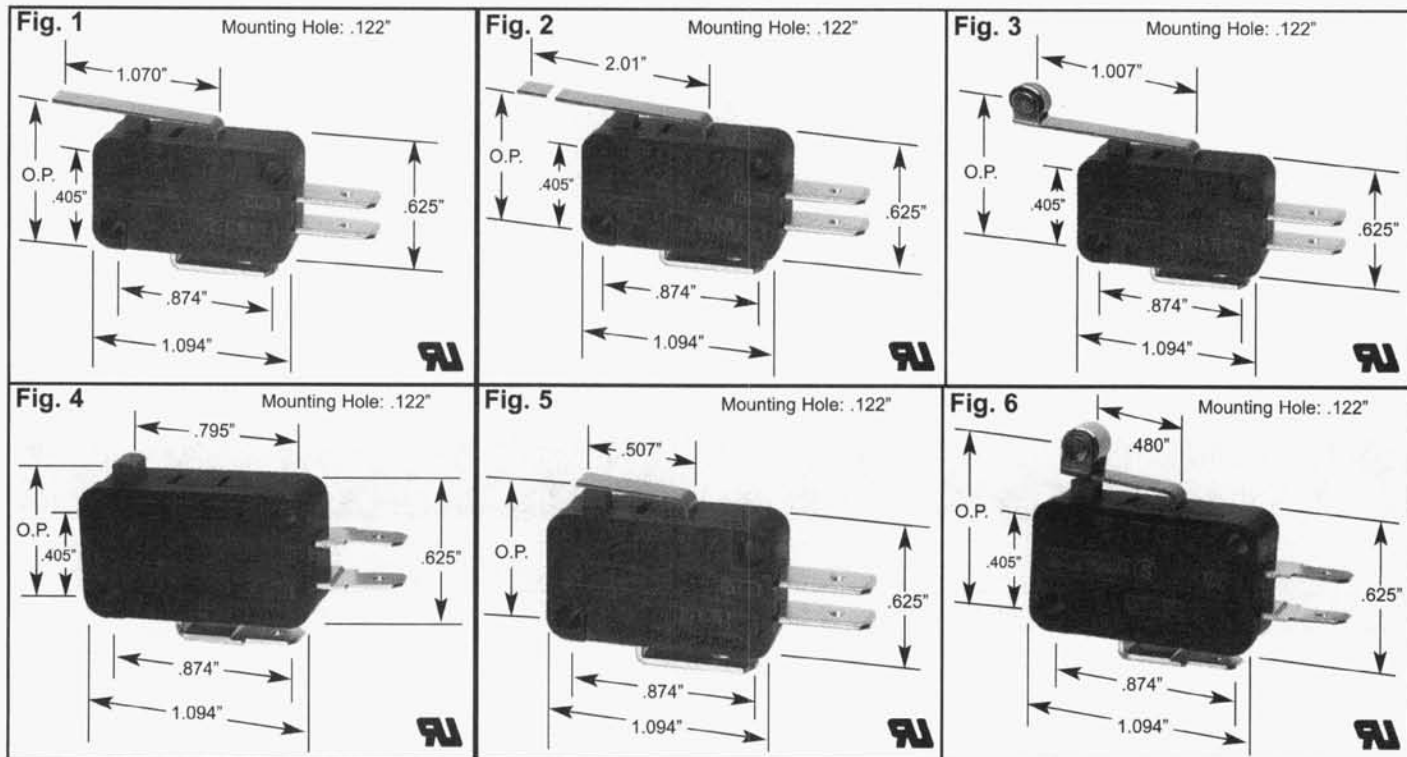
* Solderless Terminals are available in both Poly Zip-Lock Bag packaging and Bulk packaging. The "Piece per Bag" column refers to the Poly Zip-Lock Bag packaging while the bulk packaging has a 1,000 Pc. minimum multiples. Please indicate package preference by adding a "-BG" suffix for the bag or a "-BK" suffix for bulk.



*"I never did a day's work in my
life -- it was all fun."*

— Thomas Edison

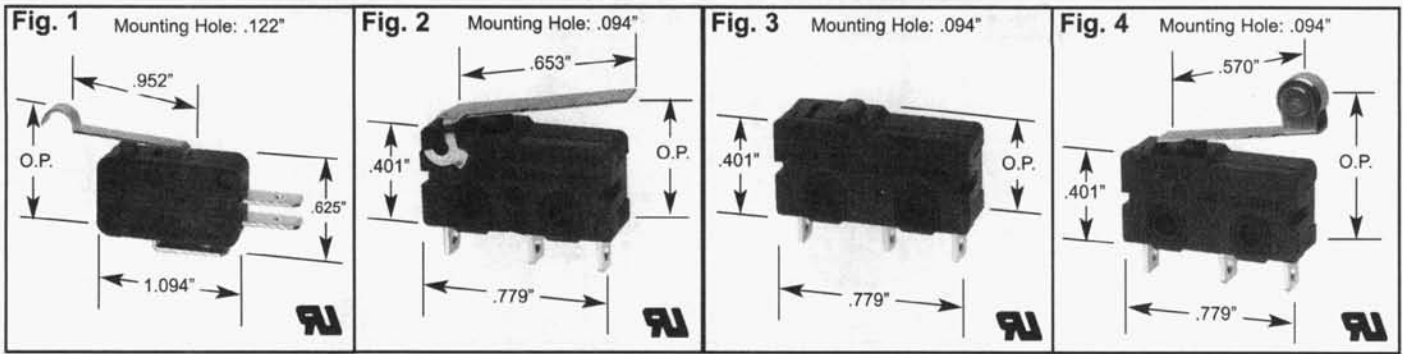
Miniature Basic Switches



Actuator Style	Poles & Throws	Ratings	O.F. (g)	O.P. (mm)	P.T. (mm)	O.T. (mm)	M.D. (mm)	F.P. (mm)	R.F. (g)	Termination	Part Number	Fig. No.
Flat Lever	SPDT	10 Amps ¹	125	15.3±1.5	3.18	2.16	0.76	---	---	.187" Q.C.	T05019	1
Flat Lever	SPDT	10 Amps ¹	30	15.3±2.3	5.60	3.30	1.02	---	---	.187" Q.C.	T05020	1
Flat Lever	SPDT	15 Amps ²	125	15.3±1.5	3.18	2.16	0.76	---	---	.187" Q.C.	T05021	1
Long Lever	SPDT	10 Amps ¹	20	15.3±4.3	10	5	1.7	---	---	.187" Q.C.	T05022	2
Long Lever	SPDT	10 Amps ¹	70	15.3±2.5	7.60	3.00	1.20	---	---	.187" Q.C.	T05023	2
Long Lever	SPDT	15 Amps ²	120	15.3±2.5	7.60	3.00	1.20	---	---	.187" Q.C.	T05024	2
Long Roller Lever	SPDT	10 Amps ¹	30	20.7±2.2	5.08	3.05	1.02	---	---	.187" Q.C.	T05007	3
Long Roller Lever	SPDT	10 Amps ¹	100	20.7±1.5	3.18	2.16	0.76	---	---	.187" Q.C.	T05009	3
Long Roller Lever	SPDT	15 Amps ²	125	20.7±1.5	3.18	2.16	0.76	---	---	.187" Q.C.	T05010	3
Pin Plunger	SPST NO	10 Amps ¹	170	14.7±0.5	1.20	1.27	0.25	---	---	.187" Q.C.	T05004	4
Pin Plunger	SPDT	10 Amps ¹	170	14.7±0.5	1.20	1.27	0.25	---	---	.187" Q.C.	T05001	4
Pin Plunger	SPDT	10 Amps ¹	230	14.7±0.5	1.20	1.27	0.25	---	---	Screw	T05002	4
Pin Plunger	SPDT	10 Amps ¹	230	14.7±0.5	1.20	1.27	0.25	---	---	.250" Q.C.	T05003	4
Pin Plunger	SPDT	15 Amps ²	330	14.7±0.5	1.20	1.27	0.25	---	---	.187" Q.C.	T05005	4
Short Flat Lever	SPDT	10 Amps ¹	230	15.3±0.5	1.57	1.27	0.41	---	---	.187" Q.C.	T05018	5
Short Roller Lever	SPDT	10 Amps ¹	70	20.7±1.1	2.5	2.0	0.4	---	---	.187" Q.C.	T05011	6
Short Roller Lever	SPDT	10 Amps ¹	230	20.7±1.1	1.20	1.02	0.25	---	---	.187" Q.C.	T05013	6
Short Roller Lever	SPDT	15 Amps ²	175	20.7±0.8	2.5	2.0	0.4	---	---	.187" Q.C.	T05014	6
Short Roller Lever	SPDT	15 Amps ²	330	20.7±0.8	1.20	1.02	0.25	---	---	Screw	T05015	6

1 10 Amps; 1/2 HP 125/250 VAC.
2 15 Amps; 1/2 HP 125/250 VAC.

Miniature & Sub-miniature Basic Switches



Miniature Micro Switches

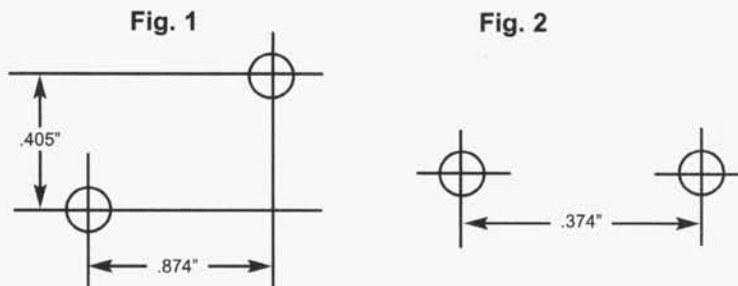
Actuator Style	Poles & Throws	Ratings	O.F. (g)	O.P. (mm)	P.T. (mm)	O.T. (mm)	M.D. (mm)	F.P. (mm)	R.F. (g)	Termination	Part Number	Fig. No.
Simulated Roller Lever	SPDT	10 Amps ²	120	18.7±1.5	3.18	2.16	0.76	---	---	.187" Q.C.	T05012	1
Simulated Roller Lever	SPDT	10 Amps ²	91	18.7±1.5	3.18	2.16	0.76	---	---	.187" Q.C.	T05016	1
Simulated Roller Lever	SPDT	10 Amps ²	24	18.7±2.1	5.6	3.3	1.02	---	---	.187" Q.C.	T05017	1

Sub-Miniature Micro Switches

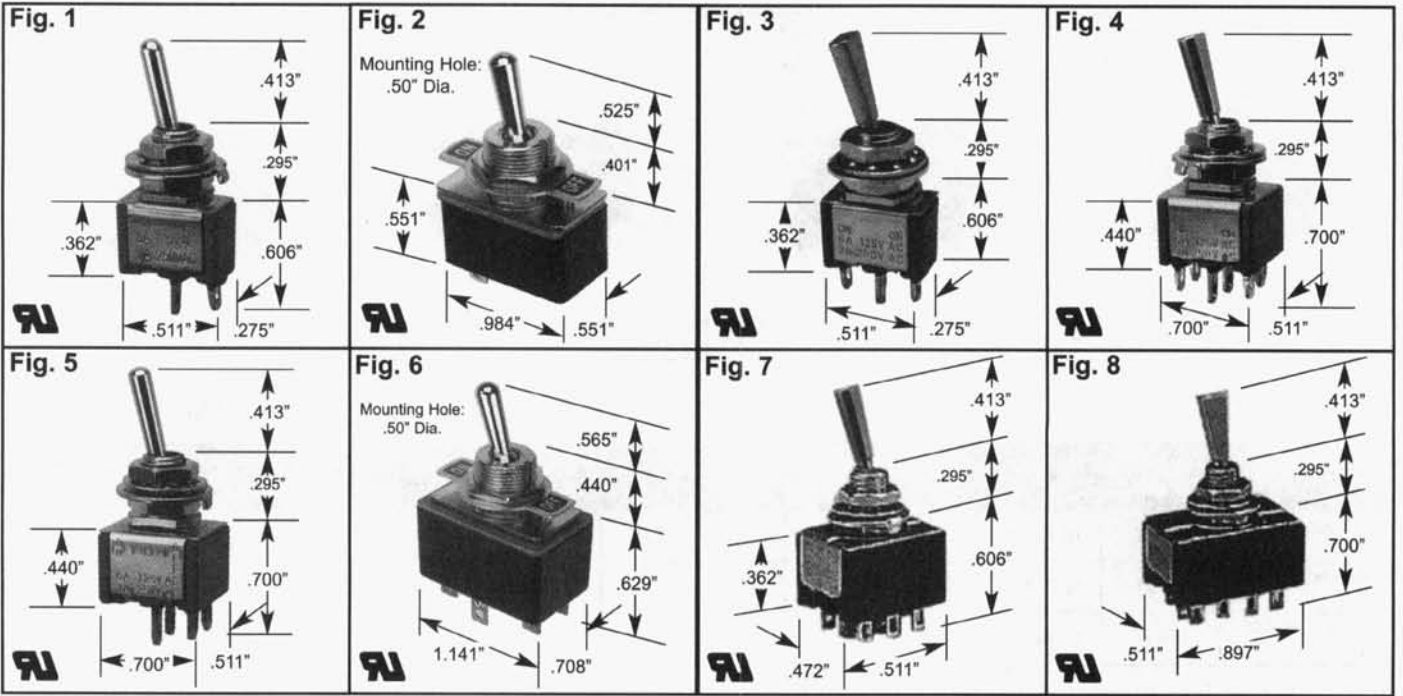
Actuator Style	Poles & Throws	Ratings	O.F. (g)	O.P. (mm)	P.T. (mm)	O.T. (mm)	M.D. (mm)	F.P. (mm)	R.F. (g)	Termination	Part Number	Fig. No.
Flat Lever	SPDT	5 Amps ¹	33	11.8±0.9	4.0	0.6	0.8	14.9	8	Solder	T04003	2
Pin Plunger	SPDT	5 Amps ¹	146	11.4±0.3	1.1	0.4	0.2	12.2	35	Solder	T04002	3
Roller Lever	SPDT	5 Amps ¹	35	17.5±0.8	3.8	0.8	0.8	20.5	8	Solder	T04004	4

1 5 Amps; 125/250 VAC.
2 10 Amps; 1/2 HP 125/250 VAC.

Mounting Hole Dimensions:



Small & Miniature Toggle Switches - Maintained Contact



Circuit Functions	Poles & Throws	Actuator Style	Termination	Contact Rating	Sealing Type	Part Number	Fig. No.
ON OFF	SPST	Standard Bat	Solder Terminal	6 Amps ¹	Epoxy Seal	T14004	1
ON OFF	SPST	Standard Bat	Solder Terminal	3 Amps ²	----	T15001	2
ON ON	SPDT	Flat Metal	P.C. Terminal	6 Amps ¹	Epoxy Seal	T14024	3
ON ON	SPDT	Standard Bat	Solder Terminal	6 Amps ¹	Epoxy Seal	T14002	1
ON ON	DPDT	Flat Metal	P.C. Terminal	6 Amps ¹	Epoxy Seal	T14026	4
ON ON	DPDT	Standard Bat	Solder Terminal	6 Amps ¹	Epoxy Seal	T14011	5
ON ON	DPDT	Standard Bat	Solder Terminal	3 Amps ²	----	T15002	6
ON ON	3PDT	Flat Metal	Solder Terminal	6 Amps ¹	Epoxy Seal	T14022	7
ON ON	4PDT	Standard Bat	Solder Terminal	6 Amps ¹	Epoxy Seal	T14016	8

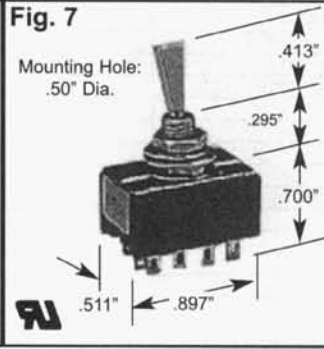
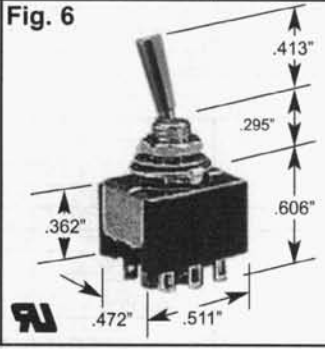
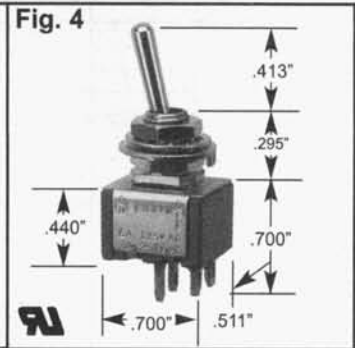
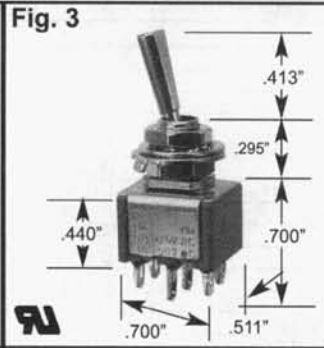
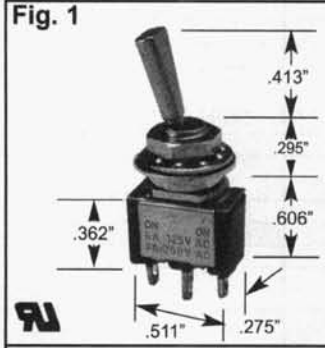
1 6 Amps 125 VAC.
2 3 Amps 125 VAC.



*"Don't find a fault;
find a remedy*

— Henry Ford

Small & Miniature Toggle Switches (Con't.)



Maintained Contact

Circuit Functions	Poles & Throws	Actuator Style	Termination	Contact Rating	Sealing Type	Part Number	Fig. No.
ON OFF ON	SPDT	Flat Metal	P.C. Terminal	6 Amps ¹	Epoxy Seal	T14025	1
ON OFF ON	SPDT	Standard Bat	Solder Terminal	6 Amps ¹	Epoxy Seal	T14003	2
ON OFF ON	DPDT	Flat Metal	P.C. Terminal	6 Amps ¹	Epoxy Seal	T14027	3
ON OFF ON	DPDT	Standard Bat	Solder Terminal	6 Amps ¹	Epoxy Seal	T14012	4
ON OFF ON	DPDT	Flat Plastic	Solder Terminal	10 Amps ²	---	T15012	5
ON OFF ON	3PDT	Flat Metal	Solder Terminal	6 Amps ¹	Epoxy Seal	T14023	6
ON OFF ON	4PDT	Standard Bat	Solder Terminal	6 Amps ¹	Epoxy Seal	T14017	7

Momentary Contact

Circuit Functions	Poles & Throws	Actuator Style	Termination	Contact Rating	Sealing Type	Part Number	Fig. No.
ON (ON)	SPDT	Standard Bat	Solder Terminal	6 Amps ¹	Epoxy Seal	T14001	2
ON (ON)	DPDT	Standard Bat	Solder Terminal	6 Amps ¹	Epoxy Seal	T14013	4
(ON) OFF ON	SPDT	Standard Bat	Solder Terminal	6 Amps ¹	Epoxy Seal	T14005	2
(ON) OFF ON	DPDT	Standard Bat	Solder Terminal	6 Amps ¹	Epoxy Seal	T14014	4
(ON) OFF (ON)	SPDT	Standard Bat	Solder Terminal	6 Amps ¹	Epoxy Seal	T14006	2
(ON) OFF (ON)	DPDT	Standard Bat	Solder Terminal	6 Amps ¹	Epoxy Seal	T14015	4

() Indicates momentary position
 1 6 Amps 125 VAC.
 2 10 Amps 125 VAC.



Relay Cross Reference

P & B	IDEC	OMRON	PHILLIPS ECG	SELECTA
27E043	SR3B-51		RS8KRP RS11KRP	
27E304				
27E006	2Y4S-51	PY14		SR6914
27E031	SY4S-61	PY14	RS14PKH	
27E488	SY2B-51	PT08		
27E489	SH2B-62	PT08-0		
27E895	SH2B-05	PTF08A-E		
27E894	SY4S-05	PYF14A-E		
27E893	SR3B-05	DJF11N		
27E891	SR2P-05	PF083A-E		
27E123	SR3P-05	PF113A-E		
KRPA11AG(or GF)-120	RR2P-U-AC120V			
KRPA11DG(or GF)-12	RR2P-U-DC12V			
KRPA11DG(or GF)-24	RR2P-U-DC24V			
KRPA14AG(or GF)-120	RR3PA-U-AC120V			
KRPA14DG(or GF)-2	RR3PA-U-DC12V			
KRPA14DG-(or GF)-24	RR3PA-U-DC24V			
PRD11AJ0-120				
PRD3AJ0-120				
PRD3AP4-120				
PRD3AG0-120				
PRD3AG0-240				
PRD7AG0-240			RLY1236	
PRD11AG0-120			RLY1244	SR66F280A7
PRD11AG0-240			RLY1246	SR66F280A9
PRD5AG0-120			RLY1225	
PRD7AG0-120			RLY1235	
PRD11DJ0-110				
PRD3DP4-24				
PRD3DG0-12				
PRD3DG0-24				
PRD11DG0-6			RLY1342	
PRD11DG0-24			RLY1343	
PRD11DG0-110			RLY1345	
PRD5DG0-12			RLY1322	
PRD5DG0-24			RLY1323	
PRD7DG0-12			RLY1332	
PRD7DG0-24			RLY1333	
KUP14A15(or F)-120	RR3B-U-AC240V		RLY1855	SR68S300A7
KUP5A(or F)-120	RR1BA-U-AC120V			
KUP11A55(or F)-120	RR2BA-US-AC120V		RLY1845F	
KUEP-3A15-120				
KUEP-11D15-12				
KUEP-11D15-24				
KUEP-11D15-110				
KUP14D15(or F)-12	RR3B-U-DC12V		RLY1952	SR68S300D3
KUP14D15(or F)-24	RR3B-U-DC24V		RLY1953	SR68S300D4
KUP11D15(or F)-12	RR2BA-U-DC12V		RLY1942	SR68S200D3
KUP11D15(or F)-24	RR2BA-U-DC24V		RLY1943	
KUP11D15(or F)-110	RR2B-U-DC110V		RLY1945	SR68S200D6
KUP14D55(or F)-24	RR3B-US-DC24V		RLY1953F	
KUP11D55(or F)-12	RR2BA-US-DC12V		RLY1942F	
KUP11D55(or F)-24	RR2BA-US-DC24V		RLY1943F	
KUEP-3D15-12				
KUEP-3D15-24				
KUEP-3D15-110				
KUH11A51-120			RLY8846F	
KUHP11A51-120			RLY8845F	
KUMP3A5G-120				
KUMP3A5G-240				
KUHP11D51-12			RLY8942F	
KUHP11D51-24			RLY8943F	
KUMP3D5G-12				
KUMP3D5G-24				
	RSSAN-10A			
EOM1DA42-4-32	RSSD-10A			
SSRT120D10			B25240T	
SSR240A25	RSSAN-25A		A25480	
SSR240D25	RSSD-25A		B40240	
	RSSAN-40A		A40240	
	RSSD-40A		B40240	
SSR240A80	RSSAN-75A			



Featuring:



RELAYS
CROSS REFERENCE

Relay Cross Reference (Cont.)

P & B	IDEC	OMRON	PHILLIPS ECG	SELECTA
SSR240D80	RSSD-75A			
	RSSAN-10A			
EOM1DA44-4-32	RSSD-10A			
SSRT240D10			B25240T	
SSR240A25	RSSAN-25A		A25480	
SSR240D25	RSSD-25A		B40240	
	RSSAN-40A		A40240	
	RSSD-40A		B40240	
SSR240A80	RSSAN-75A			
SSR240D80	RSSD-75A			
KHAU17A91-120	RY4S-U-AC110/120V		RLY2065	
KHAU17A91-240	RY4S-U-AC220/240V			SR69S400A7
K10P11A15-120	RH2B-U-AC110/120V			
		LY1-UA-AC120		SR70S200A7
		LY1-UA-AC240		
K10P11A15-240	RH2B-U-AC220/240V			
K10L11A15-120	RH2B-UL-AC110/120V			SR70S200A9
	RH2B-UL-AC220/240V			
KHAU17D91-12	RY4S-U-DC12V		RLY2162	
KHAU17D91-24	RY4S-U-DC24V		RLY2163	SR69S400D3
KHAU17D91-110	RY4S-U-DC100/110V			SR69S400D4
		LY1-UA-DC110		
			RLY2342	
			RLY2343	SR70S200D3
		LY1-UA-DC12		SR70S200D4
		LY1-UA-DC24		
KR11AGE(or GF)-120			RLY1045H	
KR14AGE(or GF)-120			RLY1055H	
KR11DGE(or GF)-12			RLY1142H	
KR11DGE(or GF)-24				
		G7L-2A-TUBJ-CB-DC110		
		G7L-2A-TUBJ-CB-DC2-12		
		G7L-2A-TUBJ-CB-DC2-24		
		G7L-2A-TUBJ-CB-DC110		SR65F700A7
		G7L-2A-TUBJ-CB-DC12		
		G7L-2A-TUBJ-CB-DC24		
RTE24012		G2R24DC12		
RTE24024		G2R24DC24		
RTE24005		G2R24DC5		
RTE2012		G2R24HDC12		
RTE2024		G2R24HDC24		
RTE2005		G2R24HDC5		
T9AP5D52-12		G4B112T1CUSDC12		
T9AP5D52-24		G4B112T1CUSDC24		
T9AP5D52-12		G4B112T1FDCUSRPDC12		
T9AP5D52-24		G4B112T1FDCUSRPDC24		
T9AP5D52-12		G4B112TCUSDC12		
T9AP5D52-24		G4B112TCUSDC24		
T9AS5D22-12		G4B112TPCUSDC12		
T9AS5D22-24		G4B112TPCUSDC24		
T9AS5D22-12		G4B112TPFDCUSRPDC12		
T9AS5D22-24		G4B112TPFDCUSRPDC24		
		G7L-2A-TUBJ-CB-DC110		SR65F700A7
		G7L-2A-TUBJ-CB-DC110		
		G7L-2A-TUBJ-CB-DC12		
		G7L-2A-TUBJ-CB-DC2-12		
		G7L-2A-TUBJ-CB-DC2-24		
		G7L-2A-TUBJ-CB-DC24		
K10P-11D55-24	RH2V2UCDC24	LY10DC24		
K10P-11D15-12	RH2BUCDC12	LY1DC12		
K10P-11D15-24	RH2BUDCD24	LY1DC24		
K10P-11AT5-120	RH2BUTAC120	LY1FAC110/120		
K10P-11AT5-24		LY1FAC24		
K10P-11DT5-12	RH2BUTDC12	LY1FDC12		
K10P-11DT5-24	RH2BUTDC24	LY1FDC24		
K10L-11A15-120	RH2BULAC120	LY1NAC110/120		
		LY1-UA-AC120		SR70S200A7
		LY1-UA-AC240		
		LY1-UA-DC110		
		LY1-UA-DC12		SR70S200D4
		LY1-UA-DC24		
K10P-11D55-12	RH2V2UCDC12	LY20DC12		
K10P-11D55-24	RH2V2UCDC24	LY20DC24		
K10L-11A15-120	RH2BULCAC120	LY2AC110/120		



Relay Cross Reference

P & B	IDEC	OMRON	PHILLIPS ECG	SELECTA
K10P-11A15-24	RH2BUAC24	LY2AC24		
K10P-11D15-12	RH2BUDC12	LY2DC12		
K10P-11D15-24	RH2BUDC24	LY2DC24		
K10P-11AT5-120		LY2FAC110/120		
K10P-11DT5-12		LY2FDC12		
K10P-11DT5-24		LY2FDC24		
K10L-11A15-120		LY2NAC110/120		
KRPA-11AG-120	RR2PUAC120V	MK2P1AC120		
KRPA-11AG-24	RR2PUAC24V	MK2P1AC24		
KRPA-11AG-240	RRSPUAC240V	MK2P1AC240		
KRPA-14DG-110	RR3PAUDC110V	MK2P1DC110		
KRPA-11DG-12		MK2P1DC12		
KRPA-11DG-24		MK2P1DC24		
KRPA-11DG-48		MK2P1DC48		
KRPA-11AG-120		MK2PSAC120		
KRPA-11AG24		MK2PSAC24		
KRPA-11AG-240		MK2PSAC240		
KRPA-11DG-12		MK2PSDC12		
KRPA-11DG-24		MK2PSDC24		
KRPA-11DG-48		MK2PSDC48		
KRPA-14AG-120	RR3PAUAC120V	MK3P5SAC120		
KRPA-14AG-240		MK3P5SAC240		
KRPA-14DG-12		MK3P5SDC12		
KRPA-14DG-24		MK3P5SDC24		
KHAU-17D12-12		MY3DC12		
KHAU-17D12-24		MY3DC24		
KHAU-17A16-24	RY42SUAC24	MY4AC24		
KHAU-17D12-12		MY4DC12		
KHAU-17D12-24		MY4DC24		
KHAU-17D12-12		MY4FDC12		
KHAU-17D12-24		MY4FDC24		
KHAU-17D16-12	R742SUDC12	MY4ZDC12		
KHAU-17D16-24	RY42SUDC24	MY4ZDC24		
27E891	SR2P-06	PF083A-E		
27E123	SR3P-06*	PF113A-E*		
27E488	SY2B-51	PT08		
27E489	SH2B-62	PT08-0		
27E895	SH2B-05	PTF08A-E		
27E894	SY4S-05	PTF08A-E		
27E006	2Y4S-51	PY14		SR6914
27E031	SY4S-61	PY14	RS14PKH	
27E043	SR3B-51			
PRD11AG0-120			RLY1244	SR66F280A7
PRD11AG0-240			RLY1246	SR66F280A9
KUP14A15(or F)-120	RR3B-U-AC240V		RLY1855	SR68S300A7
KUP14D15(or F)-12	RR3B-U-DC12V		RLY1952	SR68S300D3
KUP14D15(or F)-24	RR3B-U-DC24V		RLY1953	SR68S300D4
KUP11D15(or F)-12	RR2BA-U-DC12V		RLY1942	SR68S200D3
KUP11D15(or F)-110	RR2B-U-DC110V		RLY1945	SR68S200D6
KHAU17A91-240	RY4S-U-AC220/240V			SR69D400A7
K110P11A15-120	RH2BUL-AC110.120V			SR70S200A9
KHAU17D91-24	RY4S-U-DC24V			SR69S400D3
KHAU17D91-110	RY4S-U-DC100/110V			SR69S400D4
			RLY2343	SR70S200D3



Part Number Index

<i>Part Number</i>	<i>Page #</i>	<i>Part Number</i>	<i>Page #</i>	<i>Part Number</i>	<i>Page #</i>	<i>Part Number</i>	<i>Page #</i>
02004	11	19-25L	8	7108SYZQE	94	ACC220UMM20	17
02016	10	19-50L	8	7201J51ZQE22	83	ACC220UMM30	17
02018	10	19-5L	8	7201SYCQE	93	ACC223UMM20	19
02031	12	2-10L	8	7201SYZQE	93	ACC230UMM10	17
02069	11	2-25L	8	7203SYCQE	93	ACC230UMM20	17
02130	10	2-50L	8	7203SYZQE	93	ACC230UMM30	17
02140	10	2-5L	8	7205J1ZQE2	83	ACC233UMM20	19
02180	10	27E122	50	7205SYZQE	94	ACC233UMM30	17
02190	10	27E123	50	7208SYZQE	94	ACC320UM10	17
02094	11	27E125	50	7301SYZQE	93	ACC320UM20	17
10450	11	27E126	50	7303SYZQE	93	ACC320UM30	17
108ER	41	27E127	50	7401SYZQE	93	ACC323UMM20	19
108R	41	27E128	50	7403SYZQE	93	ACC333UMM10	19
14412	10	27E129	50	8121J81ZGE22	79	ACC333UMM30	19
14411	10	27E162	50	8121SHZGE	79	ACC343UMM10	17
14005	10	27E163	50	8161SHZQE2	79	ACC343UMM20	17
14086	10	27E166	50	8168J86ZQE223	79	ACC343UMM30	17
14139	11	27E193	50	8221SHZGE	79	ACC420UM10	18
14138	11	27E194	50	8261SHZQE2	79	ACC420UM20	18
14135	11	27E212	50	87610340	41	ACC420UM30	18
18414	12	27E213	50	88857005	41	ACC423UMM20	19
14055	12	27E317	50	88857607	41	ACC423UMM30	19
14056	12	27E342	50	88826100	42	CC430UM10	18
14010	12	27E396	50	88826105	42	ACC430UM20	18
14011	12	27E446	50	88826115	42	ACC430UM30	18
18000	13	27E460	50	88826135	42	ACC433UMM10	19
18001	13	27E461	50	88865100	42	ACC433UMM20	19
18002	13	27E487	50	88865105	42	ACC433UMM30	19
18003	13	27E489	50	88865115	42	ACC530U10	18
18004	13	27E629	50	88865215	42	ACC530U20	18
18005	13	27E709	50	88865305	42	ACC630U20	18
18006	13	27E714	50	88867100	42	ACC630U30	18
18007	13	27E867	50	88867105	42	ACC633U10	19
18008	13	27E891	50	88867135	42	ACC633U20	19
18009	13	27E892	50	88867155	42	ACC633U30	19
18010	13	27E893	50	88867215	42	ACC730U10	18
18011	13	27E894	50	88867305	42	ACC730U20	18
18012	13	27E895	50	88867415	42	ACC730U30	18
18013	13	311SM1-T	61	8PA15-EX	76	ACC937U10	18
18050	13	311SM3-T	61	914CE1-3	67	ACC937U20	18
18051	13	311SM4-T	61	914CE16-3	67	ACC937U30	18
18200	14	311SX2-T	62	914CE18-3	67	BAF1-2RN18-LH	71
18201	14	311SX3-T	62	914CE19-3	67	BAF1-2RN18-RH	71
18202	14	311SX4-T	62	914CE20-3	67	BAF1-2RN2-LH	71
18203	14	33PA5-EX	76	914CE2-3	67	BAF1-2RN2-RH	71
18204	14	33PA7-EX	76	914CE2-Q	67	BAF1-2RN-LH	71
18205	14	3PA1	60	914CE3-3	67	BAF1-2RN-RH	71
18206	14	3PA2	60	9-2741-1	21	BAF1-2RQ9-LH	71
18207	14	5-10L	8	9-2741-6	21	BZ-2R708-P7	60
18208	14	5-25L	8	992AA08AN-C10	75	BZ-2R-A2	64
18209	14	5-50L	8	992AA08AN-C2	75	BZ-2RD-A2	64
18210	14	5-5L	8	992AA08AN-C5	75	BZ-2RDS-A2-S	64
10-10L	8	5PA2	60	992AA08AP-C2	75	BZ-2RL2-A2	65
10-25L	8	6PA5-EX	76	992AA12AP-HD	75	BZ-2RL-A2	64
10-50L	8	6PA6-OP	76	992AA18AP-HD	75	BZ-2RN702	60
10-5L	8	7-10L	8	992AB30AP-A10	75	BZ-2R-P1	60
111SM1	61	7-25L	8	992AB30AP-A2	75	BZ-2R-P4	76
111SM2-T	61	7-50L	8	992AB30AP-A5	75	BZ-2RQ181-A2	64
111SM1-T	61	7-5L	8	992AB30AP-HD	75	BZ-2RQ18-A2	64
11SM1-T	61	7101KZQE	93	992SA12AN-A2	75	BZ-2RQ1-A2	64
11SM6-T	61	7101P3YZQE	93	993AA12AT-B2	75	BZ-2RQ232-A2	65
11SX21-T	62	7101SYCQE	93	993AA12AT-J	75	BZ-2RQ66	60
15-10L	8	7101SYZQE	93	993AA18AT-J	75	BZ-2RQ68	60
15-25L	8	7103SYCQE	93	993AB12BT-J	75	BZ-2RQ69	60
15-50L	8	7103SYZQE	93	ACC1230U20	18	BZ-2RQ77	60
15-5L	8	7105SYZQE	94	ACC1230U30	18	BZ-2RQ784	60
19-10L	8	7107SYZQE	94	ACC220UMM10	17		

Part Number Index (Con't.)

Part Number	Page #	Part Number	Page #	Part Number	Page #	Part Number	Page #
BZ-2RQ-A2	64	C302U20	17	DTE6-2RN	68	G240A25	49
BZ-2RS-A2	64	C302U30	17	DTE6-2RN2	68	G240A45	49
BZ-2RW80-A2	65	C320KG1	21	ES1015	5	G240D10	49
BZ-2RW822-A2	65	C320KG3	21	ES1017	5	G240D25	49
BZ-2RW82255-A2-S	65	C400	9	ES1020	5	G240D45	49
BZ-2RW822-A2	65	C440CR	9	ES1020K	5	G480A50	49
BZ-2RW825-A2	65	C600	9	ES1020R	5	G480D50	49
BZ-2RW826-A2	65	C7J-3A1B-DC24	36	ES1035	6	GA1-6B02	49
BZ-2RW82-A2	65	C805	7	ES1050	6	GA3-12A45Z	49
BZ-2RW84-A2	65	C900	9	ES1051	6	GA3-12D25Z	49
BZ-2RW863-A2	65	C910	9	ES1052	6	GA3-12D45Z	49
BZ-2RW899-A2	65	C920	9	ES1530	6	GA8-6D05	49
BZE6-2RN	68	CB40	5	ES1550	6	G7J-2A2B-B-AC100/120	36
BZE6-2RN18	69	CB80	5	ES1551	6	G7J-2A2B-B-AC200/240	36
BZE6-2RN2	68	CC15	9	ES1210	1	G7J-2A2B-B-DC24	36
BZE6-2RN28	69	CC50	9	ES1217	5	G7J-3A1B-AC200/240	36
BZE6-2RN7	68	CC50	9	ES1602	4	G7J-3A1B-B-AC100/120	36
BZE6-2RN80	68	CF1050	9	ES1601	1	G7J-4A-B-AC100/120	36
BZE6-2RQ	68	CF15	9	ES1604	1	G7J-4A-B-AC200/240	36
BZE6-2RQ2	68	CF2050	9	ES1605	4	G7J-4A-B-DC24	36
BZE6-2RQ62	69	CF3050	9	ES1606	4	G7L-1A-BUB-J-CB-AC100/120	36
BZE6-2RQ8	68	CF4050	9	ES1614	7	G7L-1A-BUB-J-CB-AC24	36
BZE6-2RQ81	69	CF50	9	ES1617	5	G7L-1A-TUB-J-CB-AC100/120	36
BZE6-2RQ9	68	CF5050	9	ES1620	5	G7L-1A-TUB-J-CB-AC24	36
BZE6-RNX1	69	CFP10	9	ES1628	4	G7L-2A-BUB-J-CB-AC100/120	36
BZG1-2RN	70	CFP50	9	ES1630T	6	G7L-2A-BUB-J-CB-AC24	36
BZG1-2RN2	70	CM8	7	ES1631	6	G7L-2A-TUB-J-B-AC24	36
BZG1-2RN62	70	CP40	5	ES1638	7	G7L-2A-TUB-J-CB-AC100/120	36
BZV6-2RN	68	CP60	5	ES1661	1	GF50D30	49
BZV6-2RN2	68	CP400	9	ES1668	7	GLAA01B	72
BZV6-2RQ8	68	CP410	9	ES1674	4	GLAA01C	72
C25BNB220A	20	CP420E	9	ES1675	1	GLAA01D	72
C25BNB230A	20	CS254	9	ES1692	6	GLAA01E7B	72
C25BNB230B	20	CSP20	9	ES2201	1	GLAA01K8B	72
C25BNB230T	20	CT40-5	3	ES2202	4	GLBA02C	72
C25DND225A	20	CT100	9	ES2400	1	GLCA01A1B	72
C25DND225B	20	CT1000	9	ES275	5	GLCA01A2B	72
C25DND225T	20	CT200	9	ES601	4	GLDA01C	72
C25DND230A	20	CT2000	9	ES7100	1	IAC5I	43
C25DND230B	20	CT5000	9	ES7200	6	IDC5F	43
C25DND230H	20	CTAR-12	4	ES7300	4	IDC5I	43
C25DND325A	20	CTCA3-1	3	ES805	7	JWD-107-5	51
C25DND325B	20	CTCA3-3	3	ES810B	1	JWD-107-7	51
C25DND325T	20	CTSR-12	4	ES820	1	JWD-171-10	51
C25DND330A	20	CTXY5	3	ES820L	1	MWD-171-17	51
C25DND330B	20	CW2400	3	ES835B	6	JWD-171-23	51
C25DND330C	20	CW4300	3	ES882	1	JWD-171-25	51
C25DND330H	20	CW7100	3	ES883	1	JWD-171-27	51
C25DND330T	20	CW7200	3	EX-AR	76	JWD-171-28	51
C25DNF240A	20	CW7300	3	EX-AR30	76	JWD-172-1	51
C25DNF240B	20	CW7400	3	EX-Q	76	JWD-172-3	51
C25DNF340A	20	CW8000	3	G2R-1A-T-AC120	36	JWD-172-4	51
C25DNF340B	20	CW2200MTP	2	G2R-1A-T-AC24	36	JWD-172-5	51
C25DNF340C	20	CW2200STP	2	G2R-1-S-AC120	36	JWD-172-7	51
C25DNF340T	20	CW2605	2	G2R-1-S-AC24	36	JWD-172-8	51
C25END425A	20	CW2610	2	G2R-1-T-AC120	36	K10P-11A15-12	51
C25END430A	20	CW2900	2	G2R-1-T-AC24	36	K10P-11A15-120	51
C25END430B	20	CW3300C	2	G2R-2-S-AC120	36	K10P-11A15-24	51
C25END430T	20	CW3300G	2	G2R-2-S-AC24	36	K10P-11AT5-120	51
C25ENF440A	21	CW3500	2	G4B-112T1-FDC-US-RP-AC120	36	K10P-11D15-12	51
C25ENF440B	21	CW8100	2	G4B-112T1-FDC-US-RP-AC24	36	K10P-11D15-24	51
C25FNF350A	21	CW8200	2	G4B-112T1-FD-US-RP-AC120	36	K10P-11D55-110	51
C25FNF350B	21	CW9100	2	G4B-112T1-FD-US-RP-AC24	36	K10P-11D55-12	51
C25FNF360A	21	CW9200	2	G5LE-114P-PS-DC12	36	K10P-11D55-24	51
C25FNF360B	21	CW9300	2	G5LE-114P-PS-DC24	36	K10P-11DT5-12	51
C302U10	17	CXM50	9	G240A10	49	K10P-11DT5-24	51



Part Number Index (Con't.)

Part Number	Page #	Part Number	Page #	Part Number	Page #	Part Number	Page #
KHAU-17A11-120	51	KUP-11D15-24	53	M-IAC5	43	PRD-5AY0-12	54
KHAU-17A11-24	51	KUP-11D55-12	53	M-IC5	43	PRD-5AY0-120	54
KHAU-17A11N-120	51	KUP-11D55-24	53	M-OAC5	43	PRD-5AY0-24	54
KHAU-17A12-120	51	KUP-14A15-120	53	M-ODC5	43	PRD-5DY0-12	54
KHAU-17A16-120	51	KUP-14A15-24	53	MK2KP-AC120	37	PRD-5DY0-24	54
KHAU-17A16-24	51	KUP-14A35-120	53	MK2KP-AC24	37	PRD-7AG0-120	54
KHAU-17D11-12	51	KUP-14A45-120	53	MK2PN-S-AC120	37	PRD-7AY0-120	54
KHAU-17D11-24	51	KUP-14A55-120	53	MK2PN-S-AC24	37	PRD-7AY0-24	54
KHAU-17D12-12	51	KUP-14A55-24	53	MK2P-S-AC12	37	PRD-7AY0-240	54
KHAU-17D12-24	51	KUP-14A55-240	53	MK2P-S-AC120	37	PRD-7DY0-12	54
KHAU-17D16-12	51	KUP-14D15-110	53	MK2P-S-AC24	37	PRD-7DY0-24	54
KHAU-17D16-24	51	KUP-1D15-12	53	MK2P-S-AC240	37	PRDA-11AGA-120	54
KHS-17A11-120	51	KUP-14D15-24	53	MK3P5-S-AC120	37	PRDA-11A	26
KHS-17A12-120	51	KUP-14D35-24	53	MK3P5-S-AC24	37	R10-E1M4-V700	54
KHS-17D11-12	51	KUP-5A15-120	53	MK3P5-S-AC240	37	R10-E1P2-115V	54
KHS-17D11-24	51	KUP-5A15-24	53	MR78750	50	R10-E1W2-V700	54
KHS-17D12-24	51	KUP-5A55-120	53	MR78755	50	R10-E1X2-115V	54
KRPA-11AG-120	52	KUP-5D15-24	53	MT78740	50	R10-E1X2-24V	54
KRPA-11AG-24	52	KUP-5D55-12	53	MT78745	50	R10-E1X2-V185	54
KRPA-11AG-240	52	KUP-5D55-24	53	MT221012	53	R10-E1X2-V700	54
KRPA-11AN-120	52	LSA1A	73	MT221024	53	R10-E1X4-V185	54
KRPA-11AN-24	52	LSA2B	73	MT226024	53	R10-E1X4-V700	54
KRPA-11AY-120	52	LSA3K	73	MT226115	53	R10-E1Y2-V185	54
KRPA-11DG-110	52	LSA6B	73	MT226230	53	R10-E1Y4-V700	54
KRPA-11DG-12	52	LSD1A	73	MT321012	53	R10-E1Y6-V1.5K	54
KRPA-11DF-24	52	LSD3K	73	MT321024	53	R10-E2X2-V700	54
KRPA-11DG-48	52	LSK1A-8C	73	MT326024	53	R10-E2X4-V185	54
KRPA-11DN-24	52	LSM6D	73	MT326115	53	R10-E2Y2-V700	54
KRPA-5AG120	52	LSZ1A	74	MT326230	53	R10-T1PX-115V	54
KRPA-14AG-120	52	LSZ1D	74	MY4-AC110/120	37	RH02	92
KRPA-14AN-120	52	LSZ51A	74	MY4-AC12	37	RH03	92
KRPA-14DG-110	52	LSZ51B	74	MY4-AC24	37	RH04	92
KRPA-14DG-12	52	LSZ51D	74	MY4-DC12	37	RH05	92
KRPA-11DG-24	52	LSZ52A	74	MY4-DC24	37	RH12	92
KRPA-11DN-24	52	LSZ52B	74	MY4N-AC110/120	37	RH13	92
KUEP-11A15-120	52	LSZ52C	74	MY4N-AC24	37	RH14	92
KUEP-11D15-24	52	LSZ52D	74	MY4N-DC24	37	RH15	92
KUEP-3A15-120	52	LSZ7A1A	74	OAC5	43	RH16	92
KUEP-3D15-12	52	LSZ7A2B	74	ODC5F	43	RH17	92
KEUP-3D15-24	52	LSZ7A6B	74	ODC5F	43	RH18	92
KUEP-7D15-24	52	LSZ7D1A	74	OP-AR	76	RH19	92
KUHP-11A51-120	52	LY1-AC100/120	36	PB-4	44	RH20	92
KUHP-11A51-24	52	LY1-AC24	36	PB-4R	44	RH21	92
KUHP-11AT1-120	52	LY1-DC24	36	PB-16	45	RH22	92
KUHP-11D51-24	52	LY2-AC110/120	36	PB-24	45	RH23	95
KUHP-11DT1-12	52	LY2-AC12	36	PB-16M	46	RH24	96
KUHP-11DT1-24	52	LY2-AC200/240	36	PB-24MD	47	RH25	97
KUHP-5A51-120	52	LY2-AC24	36	PB-16SM	48	RH26	96
KUHP-5D51-12	52	LY2-DC12	36	PB-24SM	48	RH27	82
KUHP-5D51-24	52	LY2-DC24	36	PM-17AY-120	53	RH28	82
KUHP-5DT1-12	52	LY2F-AC100/120	36	PM-17DY-12	53	RH31	82
KUHP-5DT1-24	52	LY2F-AC24	36	PRD-11AG0-120	54	RH32	82
KUIP-11D55-12	52	LY2N-AC100/120	36	PRD-11AG0-24	54	RH33	82
KUIP-11D55-24	52	LY2N-AC220/240	36	PRD-11AH0-120	54	RH34	82
KUL-11A15S-120	52	LY2N-AC24	36	PRD-11AY0-120	54	RH35	82
KUMP-11A18-120	53	LY3-AC24	36	PRD-11AY0-24	54	RH36	82
KUMP-11D18-12	53	LY3-AC120	37	PRD-11AY0-240	54	RH37	82
KUMP-14A18-120	53	LY3-AC240	37	PRD-11DG0-24	54	RH38	92
KUMP-14D18-12	53	LY3-DC12	37	PRD-11DH0-110	54	RH39	92
KUMP-14D18-24	53	LY3-DC24	37	PRD-11DH0-12	54	RH40	82
KUP-11A15-120	53	LY4-AC12	37	PRD-11DH0-24	54	RH41	82
KUP-11A15-24	53	LY4-AC120	37	PRD-11DJ0-24	54	RM202012	55
KUP-11A55-120	53	LY4-AC24	37	PRD-11DY0-12	54	RM202024	55
KUP-11A55-24	53	LY4-DC12	37	PRD-11DY0-24	54	RM202524	55
KUP-11AT5-120	53	LY4-DC24	37	PRD-3AG0-12	54	RM202615	55
KUP-11D15-12	53	LY4N-AC120	37	PRD-3DY0-12	54	RM203012	55
		LY4N-AC24	37	PRD-3DY0-24	54	RM203024	55



Part Number Index (Con't.)

<i>Part Number</i>	<i>Page #</i>	<i>Part Number</i>	<i>Page #</i>	<i>Part Number</i>	<i>Page #</i>	<i>Part Number</i>	<i>Page #</i>
RM203524	55	RH26	69	SL32115-4	27	SL53411-5	29
RM203615	55	RH27	52	SL32115-5	27	SL53411-6	29
RM205024	55	RH28	52	SL32115-6	27	SL53411-7	29
RM205524	55	RH31	52	SL32115-7	27	SL53412-4	24
RM205615	55	RH32	52	SL32116-4	22	SL53412-5	24
RM302012	55	RH33	52	SL32116-5	22	SL53412-6	24
RM302024	55	RH34	52	SL32116-6	22	SL53412-7	24
RM302524	55	RH35	52	SL32116-7	22	SL53413-4	26
RM302615	55	RH36	52	SL32411-4	29	SL53413-5	26
RM502024	55	RH37	52	SL32411-5	29	SL53413-6	26
RM502524	55	RH38	62	SL32411-6	29	SL53413-7	26
RM502615	55	RH39	62	SL32413-1	25	SL53414-4	24
RM602024	55	RH40	52	SL32413-2	25	SL53414-5	24
RM602524	55	RH41	52	SL32413-3	26	SL53414-6	24
RM602615	55	RP78602	50	SL32413-4	25	SL53414-7	24
RM702012	55	RP78602	51	SL32413-5	26	SL53415-4	27
RM702024	55	S100-1	2	SL32413-6	26	SL53415-5	27
RM702524	55	S100-72	2	SL32415-1	27	SL53415-6	28
RM702615	55	SC-11A	16	SL32415-2	27	SL53415-7	28
RM703012	55	SC-11C	16	SL32415-3	27	SL53415-8	28
RM703024	55	SC-21A	16	SL32415-4	27	SL53416-4	22
RM703524	55	SC-21C	16	SL32415-5	27	SL53416-5	23
RM703615	55	SC-24A	15	SL32415-6	28	SL53416-6	23
RM705024	55	SC-25	16	SL32416-1	22	SL53416-7	23
RM705524	55	SC-25C	16	SL32416-2	23	SL53614-4	24
RM705615	55	SC-27	16	SL32416-3	23	SL53614-5	24
RM78700	55	SC-27C	16	SL32416-4	22	SL53614-6	24
RM78701	55	SC-160	16	SL32416-5	23	SL53811-6	29
RM78702	55	SC-30C	16	SL32416-6	23	SL53812-5	24
RM78705	55	SC-33C	16	SL32913-1	24	SL53812-6	24
RM28802	55	SC-41A	15	SL32913-2	25	SL53813-4	25
RM805012	56	SC-41C	15	SL32913-3	25	SL53813-5	25
RM805024	56	SC-45	16	SL32915-1	26	SL53813-6	25
RM805524	56	SC-46A	16	SL32915-2	26	SL53814-6	24
RP78602	50	SC-46C	16	SL32915-3	26	SL53815-4	27
RP78602	51	SC-48B	16	SL32916-1	23	SL53815-5	27
RT6016	55	SC-48C	16	SL32916-2	23	SL53815-6	27
RM805615	56	SC-55	16	SL32916-3	23	SL53816-4	22
RTD14005F	56	SC-60	15	SL53211-4	28	SL53816-5	22
RTD14012F	56	SC-60CHS	15	SL53211-5	28	SL53816-6	22
RTD14024F	56	SC-60CS	15	SL53211-6	28	SL53913-2	26
RTD14524	56	SC-60HS	15	SL53211-7	28	SL53913-3	26
RDT14615	56	SC-60S	15	SL53212-4	24	SL53913-9	26
RTE24005F	56	SC-60TBO	15	SL53212-5	24	SL53915-1	28
RTE24012F	56	SC-63	15	SL53212-6	24	SL53915-2	28
RTE24024F	56	SC-63C	15	SL53212-7	24	SL53915-3	28
RTE24524	56	SC-70	15	SL53213-4	25	SL53916-2	23
RTE24615	56	SC-85	16	SL53213-5	25	SL54425-6	28
RH01	52	SC-85C	16	SL53213-6	25	SL54425-9	28
RH02	62	SL31411-5	29	SL53213-7	25	SL54426-6	23
RH03	62	SL31413-4	26	SL53214-4	24	SL54426-9	23
RH04	62	SL31415-4	27	SL53214-5	24	SL55414-6	24
RH05	62	SL31415-5	27	SL53214-6	24	SL55415-5	27
RH12	62	SL31416-4	22	SL53214-7	24	SL55415-6	28
RH13	62	SL32111-4	28	SL53215-4	27	SL55416-6	23
RH14	62	SL32111-5	28	SL53215-5	27	SL55421-6	29
RH15	62	SL32111-6	28	SL53215-6	27	SL55423-5	26
RH16	62	SL32111-7	28	SL53215-7	27	SL55423-6	26
RH17	62	SL32112-4	24	SL53215-8	27	SL55425-5	28
RH18	62	SL32112-5	24	SL53216-4	22	SL55425-6	28
RH19	62	SL32112-6	24	SL53216-5	22	SL55426-5	23
RH20	62	SL32112-7	24	SL53216-6	22	SL55426-6	23
RH21	62	SL32113-4	25	SL53216-7	22	SL62012	30
RH22	62	SL32113-5	25	SL53223-5	25	SL62013	30
RH23	68	SL32113-6	25	SL53223-6	25	SL62014	30
RH24	69	SL32113-7	25	SL53225-5	27	SL62015	30
RH25	70	SL32114-4	24	SL53225-6	27	SL62016	30
		SL32114-5	24	SL53226-6	22	SL6204	30
		SL32114-6	24	SL53411-4	29	SL6205	30

Part Number Index (Con't.)

Part Number	Page #	Part Number	Page #	Part Number	Page #	Part Number	Page #
SL63012	30	SL-C23713D1	31	SR70S200D3	38	SS206-15	97
SL63013	30	SL-C23715D1	32	SR70S200D4	38	SS206A	100
SL63014	30	SL-C23717D1	33	SR70S400A7	38	SS206AP	100
SL63015	30	SL-C25513D1	31	SR100N	40	SS206B	100
SL63016	30	SL-C25515D1	32	SR6908A	40	SS206BP	100
SL6305	30	SL-C25517D1	33	SS101	81	SS206C	100
SL64012	30	SL-D05513D1	32	SS102	81	SS206CP	100
SL64013	30	SL-D05515D1	33	SS103	80	SS206L	97
SL64015	30	SL-D05517D1	33	SS104	80	SS206P	97
SL64016	30	SL-D05518D1	32	SS105	80	SS206R	97
SL68822-4	24	SL-E05013D1	31	SS106	96	SS206RP	97
SL68823-4	25	SL-E05015D1	32	SS107	77	SS206SP	96
SL68823-5	25	SL-E05017D1	32	SS108	77	SS207-7A	98
SL68824-4	24	SL-F01613D1	31	SS109	77	SS207P	98
SL68826-4	22	SL-F01615D1	32	SS110	96	SS208-16	98
SL68826-5	22	SL-G25513D1	31	SS114	97	SS208A	100
SL-A01813D1	31	SL-G25515D1	32	SS1101	87	SS208B	100
SL-A01815D1	32	SL-G25517D1	33	SS1103	87	SS208C	100
SL-A01817D1	33	SL-G25518D1	32	SS1104	87	SS208D	100
SL-A01818D1	32	SM-IAC5	43	SS1104-A-12	87	SS208EL	100
SL-A02013D1	31	SM-IAC5A	43	SS1104-A-125	87	SS208P	98
SL-A02015D1	33	SM-IDC5	43	SS1104-R-12	87	SS208R	98
SL-A03011C1	32	SM-OAC5	43	SS1104-R-125	87	SS208RP	98
SL-A03013C1	31	SM-ODC5	43	SS1105	87	SS209-8	96
SL-A03013C1-LP	31	SR15P207D1	38	SS1105-RA-125	87	SS210-9	97
SL-A03013D1	31	SR61F1-A120	38	SS1106	87	SS211-16A	98
SL-A03013D1-LP	31	SR63F250A7	39	SS1106-AA-125	87	SS212	99
SL-A03013T1	33	SR63F250D3	39	SS1106-RR-125	57	SS212A	99
SL-A03015C1-LP	32	SR65F500D3	39	SS1112	87	SS212S	99
SL-A03015D1	33	SR65F700A7	39	SS1113	87	SS213-13	81
SL-A03015D1-LP	33	SR65F700A9	39	SS1114	87	SS214-14	81
SL-A03015T1	32	SR65F700D3	39	SS1115	87	SS215-10	80
SL-A03016C1-LP	31	SR66F280A4	39	SS1116	87	SS216-11	80
SL-A03016D1-LP	31	SR66F280A7	39	SS113	96	SS218	98
SL-A03017D1	33	SR66F280A9	39	SS114	97	SS219	99
SL-A03017D1-LP	33	SR67083A	40	SS115	97	SS219S	99
SL-A03017T1	33	SR67113A	40	SS116	97	SS220	99
SL-A03019D1	32	SR67S200A3	38	SS117	98	SS221	77
SL-A03022C1	31	SR67S200A4	38	SS117L	98	SS223P	80
SL-A05011C1	32	SR67S200A7	38	SS118	98	SS224	80
SL-A05012C1	31	SR67S200A9	38	SS1201	84	SS228	81
SL-A05013C1	31	SR67S200D3	38	SS1202	84	SS229	81
SL-A05013D1	31	SR67S200D4	38	SS1203	84	SS230	97
SL-A05013D1-12V	31	SR67S215A4	38	SS1204	84	SS232P	81
SL-A05013D1-5V	31	SR67S215A7	38	SS1205	84	SS233W	81
SL-A05013D1-LC	31	SR67S215D3	38	SS1206	84	SS241	77
SL-A05013D2	31	SR67S215D4	38	SS1207	85	SS251SP	96
SL-A05013T1	32	SR67S300A4	38	SS1208	85	SS256L	95
SL-A05015C1	32	SR67S300A7	38	SS1209	85	SS501	95
SL-A05015D1	32	SR67S315A4	38	SS1210	85	SS502	96
SL-A05015D1-LC	32	SR67S315A7	38	SS1214	85	SS505	97
SL-A05015D2	33	SR67S315D4	38	SS1216	85	SS510	97
SL-A05015T1	32	SR6811N	40	SS1218	85	SS517	78
SL-A05017D1	33	SR68S200A4	38	SS1219	85	SS518	78
SL-A05017D1-LC	33	SR68S200A7	38	SS1220	85	SS607	101
SL-A05017T1	33	SR68S300A4	38	SS1222	85	SS608	101
SL-A05018D1	32	SR68S300A7	38	SS1223	85	SS609	101
SL-A05019D1	32	SR68S300A9	38	SS1225	86	SS613	78
SL-A05022C1	31	SR68S315A7	38	SS1227	86	SS615	102
SL-A08013D1	31	SR69S200D3	38	SS1230	86	SS616	102
SL-A08015C1	32	SR69S200D4	38	SS1237	86	SS618	102
SL-A08015D1	32	SR69S400A7	38	SS1239	86	SS618A	102
SL-A08017D1	33	SR69S400D3	38	SS124	80	SS619	102
SL-A08019D1	32	SR69S400D4	38	SS201-1	95	SS620	102
SL-A10013D1	31	SR7008A	40	SS202P-BG	96	SS621	102
SL-A10015C1	32	SR7014A	40	SS203P-BG	98	SS625	77
SL-A10015D1	32	SR70S200A4	38	SS204-4	95	SS626	102
SL-A10017D1	33	SR70S200A7	38	SS204W	95	SS627	101
SL-C02519D1	32	SR70S200A9	38	SS205-5	95		

Part Number Index (Con't.)

Part Number	Page #	Part Number	Page #	Part Number	Page #	Part Number	Page #
SS628	101	ST-50	104	T05007	108	W23X1A1G-20	57
SS6747	59	ST-52B	107	T05009	108	W23X1A1G-25	57
SS6764	59	ST-52R	107	T05010	108	W23X1A1G-3	57
SS70-11	28	ST-52Y	107	T05011	108	W23X1A1G-30	57
SS7293	59	ST-53	105	T05012	109	W23X1A1G-35	57
SS8602	59	ST-59	103	T05013	108	W23X1A1G-40	57
SS902	89	ST-63	104	T05014	108	W23X1A1G-5	57
SS904	89	ST-68	106	T05015	108	W23X1A1G-50	57
SS906	89	ST-6A	105	T05016	109	W23X1A1G-7.5	57
SS912	90	ST-7A	105	T05017	109	W28-XQ1A-0.25	57
SS918	90	ST-8	105	T05018	108	W28-XQ1A-0.50	57
SS919	89	ST-9	105	T05019	108	W28-XQ1A-0.75	57
SS920	89	SW15015	8	T05020	108	W28-XQ1A-1	57
SS921	91	SW15025	8	T05021	108	W28-XQ1A-10	57
SS922	91	SW15035	8	T05022	108	W28-XQ1A-12	57
SS923	91	SW15045	8	T05023	108	W28-XQ1A-15	57
SS951	88	SW15055	8	T05024	108	W28-XQ1A-2	57
SS957	91	SW16015	8	T14001	111	W28-XQ1A-20	57
SS959	88	SW16025	8	T14002	110	W28-XQ1A-3	57
SS960	88	SW16035	8	T14003	111	W28-XQ1A-4	57
SS961	88	SW16045	8	T14004	110	W28-XQ1A-5	57
SS962	90	SW16055	8	T14005	111	W28-XQ1A-6	57
SS963	90	SW160BGA	8	T14006	111	W28-XQ1A-7	57
SS964	90	SW18015	8	T14011	110	W28-XQ1A-8	57
SS965	91	SW18025	8	T14012	111	W28-XQ1A-10	57
SSAN103	59	SW18035	8	T14013	111	W28-XQ1A-12	57
SSAN105	59	SW18045	8	T14014	111	W31-X2M1G-1	58
SSAN107	59	SW18055	8	T14015	111	W31-X2M1G-10	58
SSAN303	59	SW180BGA	8	T14016	110	W31-X2M1G-15	58
SSBN103	59	T7NS5D1-12	56	T14017	111	W31-X2M1G-2	58
SSNC303	59	T7NS5D1-24	56	T14022	110	W31-X2M1G-20	58
ST-10	105	T7NS5D1-05	56	T14023	111	W31-X2M1G-25	58
ST-11A	106	T90N1D12-12	56	T14024	110	W31-X2M1G-3	58
ST-12A	105	T90N1D12-24	56	T14025	111	W31-X2M1G-30	58
ST-13A	105	T90N5D12-12	56	T14026	110	W31-X2M1G-35	58
ST-14A	106	T90N5D12-24	56	T14027	111	W31-X2M1G-40	58
ST-15	103	T90S1D-12-12	56	T15001	110	W31-X2M1G-5	58
ST-16	103	T9S1D-12-24	56	T15002	110	W31-X2M1G-50	58
ST-17	103	T90S1D12-12	56	T15012	111	W31-X2M1G-7.5	58
ST-18	103	T90S1D12-24	56	TR78625	50	W58-XB1A4A-1	58
ST-19	103	T92P11D22-6	56	V23105A3003B201	57	W58-XB1A4A-10	58
ST-1A	106	T92P7A22-120	56	V3-1	63	W58-XB1A4A-12	58
ST-2	106	T92P7A22-24	56	V3-101	63	W58-XB1A4A-15	58
ST-20B	103	T92P7D22-12	56	V3-101-D8	63	W58-XB1A4A-2	58
ST-21B	103	T92P7D22-24	56	V3-101-D9	63	W58-XB1A4A-20	58
ST-22	104	T92P7D22-6	56	V3-1101-D8	63	W58-XB1A4A-25	58
ST-23	104	T92S11A12-120	56	V3-1-D8	63	W58-XB1A4A-3	58
ST-24A	106	T92S11D12-12	56	V3-2900-D9	63	W58-XB1A4A-30	58
ST-28A	106	T92S11D12-24	56	V3L-101-D8	63	W58-XB1A4A-35	58
ST-29	104	T92S11D12-6	56	V3L-104-D8	63	W58-XB1A4A-4	58
ST-3	106	T92S7A12-120	56	V3L-111-D8	63	W58-XB1A4A-5	58
ST-33	104	T92S7D12-12	56	V3L-131-D8	63	W58-XB1A4A-6	58
ST-35	106	T92S7D12-24	56	V3L-139-D8	63	W58-XB1A4A-7	58
ST-36	103	T92S7D12-6	56	V3L-2102-D8	63	W58-XB1-A4A-8	58
ST-37	103	T9AP1D52-12	57	V3L-2106-D8	63	W67-X2Q12-10	58
ST-38	106	T9AP1D52-24	57	V3L-3	63	W67-X2Q12-15	58
ST-39	106	T9AP5D52-12	57	V3L-3004-D8	63	W67-X2Q52.20	58
ST-4	106	T9AP5D52-24	57	V3L-3014-D8	63	W68-X2Q12-15	58
ST-40	103	T9AS1D12-12	57	V3L-3-D8	63	W68-X2Q12-30	58
ST-41	106	T9AS1D12-24	57	V3L-6-D8	63	W91-X112-5	58
ST-42	103	T9AS1D22-12	57	VF4-11F11	57	W92-X112-15	58
ST-43	105	T9AS1D22-24	57	VF4-15F11	57	W92-X112-20	58
ST-44	105	T04002	109	VF4-41F11	57		
ST-45	105	T04003	109	VF4-45F11	57		
ST-46	105	T04004	109	VF7-11F11	57		
ST-47	106	T05001	108	W23X1A1G-1	57		
ST-48	104	T05002	108	W23X1A1G-10	57		
ST-49	104	T05003	108	W23X1A1G-15	57		
ST-5	105	T05005	108	W23X1A1G-2	57		



Tables for Conversion from Inches Into Millimeters

INCHES		MILLIMETERS	INCHES		MILLIMETERS
1/64	0.015625	0.396875	33/64	0.515625	13.096875
1/32	0.031250	0.793750	17/32	0.531250	13.493750
3/64	0.046875	1.190625	35/64	0.546875	13.890625
1/16	0.062500	1.587500	9/16	0.562500	14.287500
5/64	0.078125	1.984375	37/64	0.578125	14.684375
3/32	0.093750	2.381250	19/32	0.593750	15.081250
7/64	0.109375	2.778125	39/64	0.609375	15.478125
1/8	0.125000	3.175000	5/8	0.625000	15.875000
9/64	0.140625	3.571875	41/64	0.640625	16.271875
5/32	0.156250	3.968750	21/32	0.656250	16.668750
11/64	0.171875	4.365625	43/64	0.671875	17.065625
3/16	0.187500	4.762500	11/16	0.687500	17.462500
13/64	0.203125	5.159375	45/64	0.703125	17.859375
7/32	0.218750	5.556250	23/32	0.718750	18.256250
15/64	0.234375	5.953125	47/64	0.734375	18.653125
1/4	0.250000	6.350000	3/4	0.750000	19.050000
17/64	0.265625	6.746875	49/64	0.765625	19.446875
9/32	0.281250	7.143750	25/32	0.781250	19.843750
19/64	0.296875	7.540625	51/64	0.796875	20.240625
5/16	0.312500	7.937500	13/16	0.812500	20.637500
21/64	0.328125	8.334375	53/64	0.828125	21.034375
11/32	0.343750	8.731250	27/32	0.843750	21.431250
23/64	0.359375	9.128125	55/64	0.859375	21.828125
3/8	0.375000	9.525000	7/8	0.875000	22.225000
25/64	0.390625	9.921875	57/64	0.890625	22.621875
13/32	0.406250	10.318750	29/32	0.906250	23.018750
27/64	0.421875	10.715625	59/64	0.921875	23.415625
7/16	0.437500	11.112500	15/16	0.937500	23.812500
29/64	0.453125	11.509375	61/64	0.953125	24.209375
15/32	0.468750	11.906250	31/32	0.968750	24.606250
31/64	0.484375	12.303125	63/64	0.984375	25.003125
1/2	0.500000	12.700000	1	1.000000	25.400000

- To convert from *Inches* to *Millimeters*, multiply by 25.4.
- To convert from *Millimeters* to *Inches*, multiply by 0.0394.
- To convert from *Grams* to *Ounces*, multiply by 0.03527.
- To convert from *Ounces* to *Grams*, multiply by 28.35.
- 3.6 Oz. = 1 Newton.

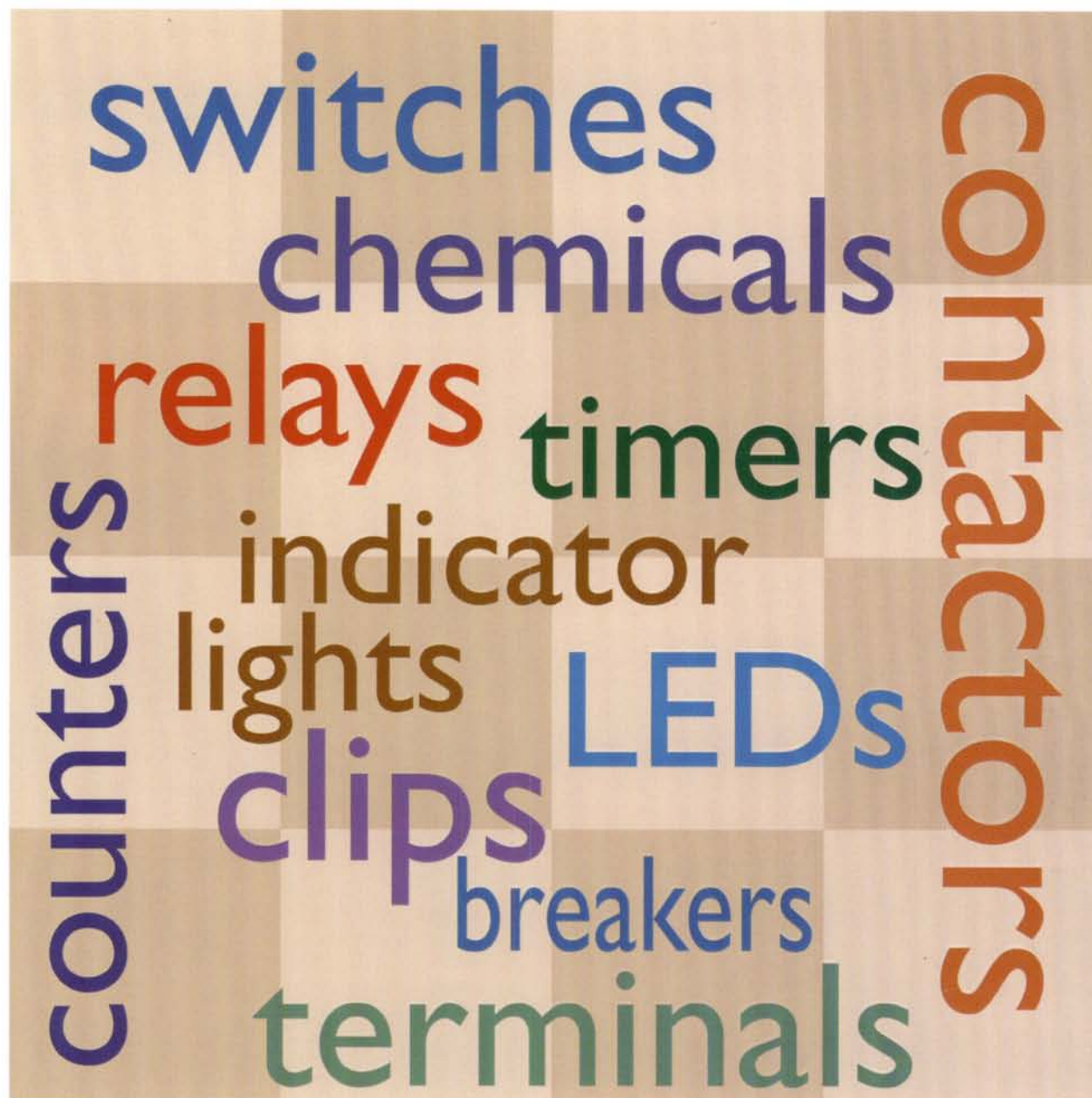
Examples:

- 2 in. x 25.4 = 50.80 mm.
- 50.80 mm. x 0.0394 = 2 in.
- 1.5 g. x .03527 = 0.05291 oz.
- 1.5 oz. x 28.35 = 42.53 g.

All specifications and dimensions are for reference only. If specific information is needed and/or is of critical nature, contact Selecta Switch headquarters for specific information before ordering.

Notes

SELECTA®



Selecta Switch, Inc.
1200 East Tehachapi Boulevard
Tehachapi, California 93561

Phone: (800) 722-6445
Fax: (800) 433-4319

Company e-mail address: selecta@selectaswitch.com

www.selectaswitch.com

©2000 Selecta Switch, Inc.
L-SSCAT-4/SS/WD/ABG/30M/6-2000
Litho in the U.S.A.