

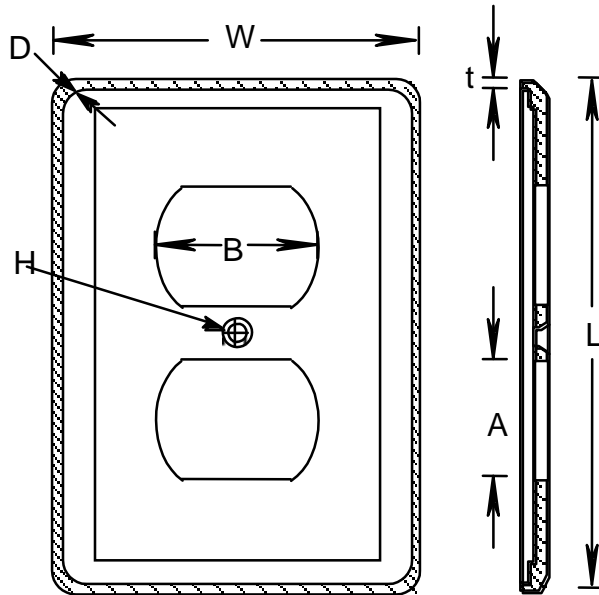
RIGID PVC CONDUIT FITTINGS

SINGLE GANG COVER PLATES

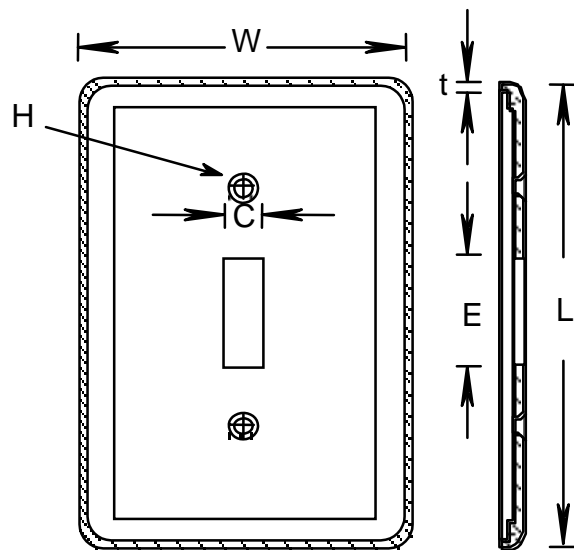
ISSUE DATE:  
DATE D'EMISSION: 2007 06 30

SUPERCEDES:  
REPLACE: 2000 12 05

1



DUPLEX RECEPTACLE,  
TYPE DRC,  
077617



TOGGLE SWITCH,  
TYPE TSC,  
077616

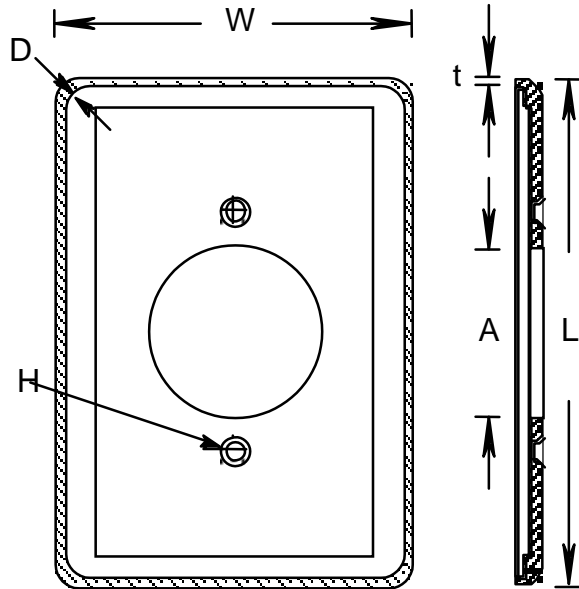
RIGID PVC CONDUIT FITTINGS

SINGLE GANG COVER PLATES

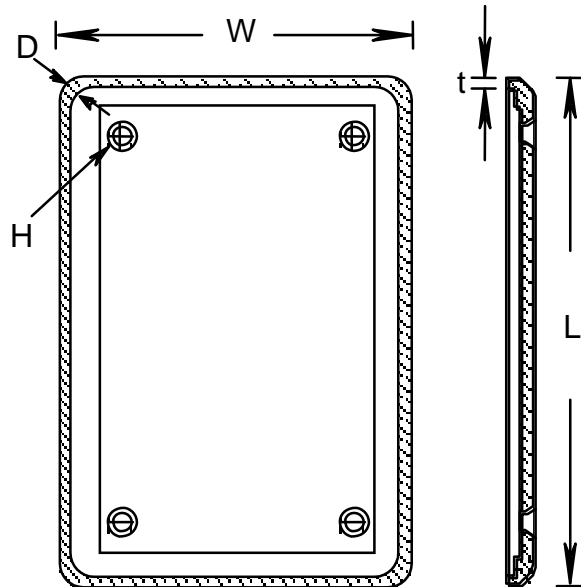
ISSUE DATE:  
DATE D'EMISSION: 2007 06 30

SUPERCEDES:  
REPLACE: 2000 12 05

1



SINGLE RECEPTACLE,  
TYPE RC  
077618,  
077619,  
077620



BLANK,  
TYPE BRC,  
077611

**DIMENSIONS**

L		W		D		H		B	
(in)	(mm)	(in)	(mm)	(in)	(mm)	(in)	(mm)	(in)	(mm)
4.750	120.7	2.970	75.4	0.095	2.4	0.150	3.8	1.345	34.1

C		E		t	
(in)	(mm)	(in)	(mm)	(in)	(mm)
0.440	11.2	0.970	24.6	0.125	3.1

RIGID PVC CONDUIT FITTINGS

---

SINGLE GANG COVER PLATES

---

**ISSUE DATE:**  
**DATE D'EMISSION:** 2007 06 30

---

**SUPERCEDES:**  
**REPLACE:** 2000 12 05

---

1

PRODUCT CODE	PART NUMBER	A	
		(in)	(mm)
077617	DRC-15/10	1.115	28.3
077618	20RC15/10	1.415	35.9
077619	20-3RC15/10	1.610	40.9
077620	30-3RC15/10	1.760	44.7

PRODUCT CODE	PART NUMBER	6-32X 17/32 QUADREX SCREW	
		CODE	QUANTITY
077617	DRC15/10	072519	4
077616	TSC15/10	072519	4
077611*	BRC15/10	072519	4
077618	20-RC15/10	072519	4
077619	20-3RC15/10	072519	4
077620	30-3RC15/10	072519	4

\* COMES WITH SINGLE GANG GASKET, 097982