



Pole mounts

Color: Bronze

Weight: 5.8 lbs

Project:

Type:

Prepared By:

Date:

Technical Specifications

Construction

Finish:

Weather resistant polyester powder, bronze

Other

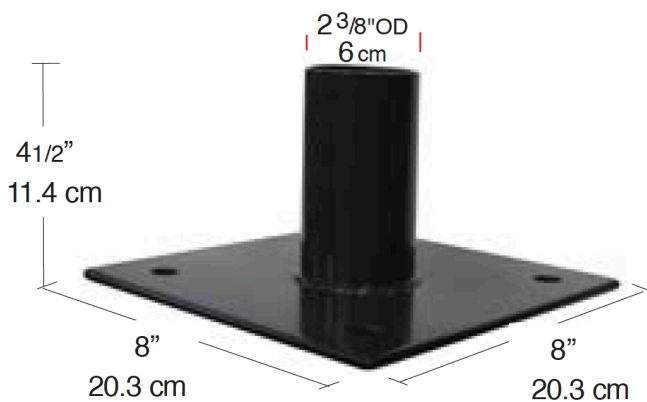
Patents:

The designs of fixtures are protected under U.S. and international intellectual property laws.

Buy American Act Compliance:

RAB values USA manufacturing! Upon request, RAB may be able to manufacture this product to be compliant with the Buy American Act (BAA). Please contact customer service to request a quote for the product to be made BAA compliant.

Dimensions



Features

Easy, secure floodlight mounting

Double Reinforced weld joints