



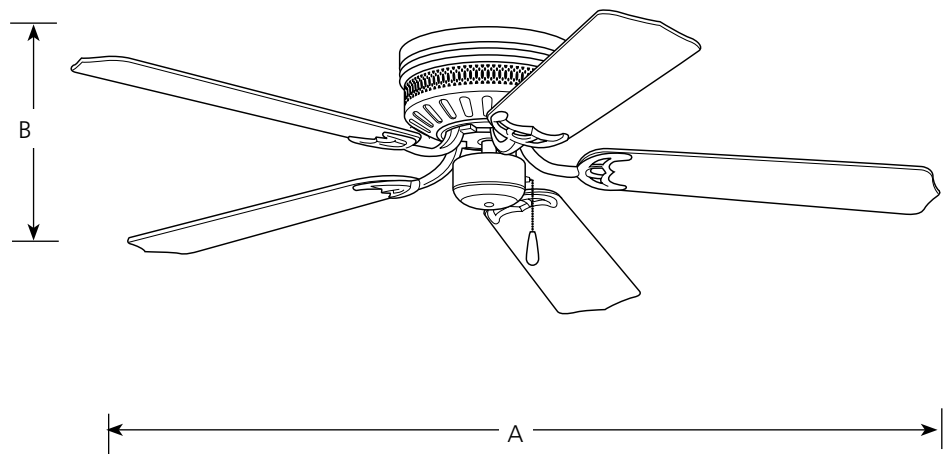
Indoor

**AirPro Hugger**

**Ceiling Fans**

Catalog No.	Finish/Blades		Dimensions (Inches)	
	Brushed Nickel	White	A	B
P2525	-09 Cherry/Natural Cherry blades	-30 White blades	52	8-1/8

Type	-09	-30
P2525	<input type="checkbox"/>	<input type="checkbox"/>



**Specifications:**

General

- 15 year limited warranty
- Plated Brushed Nickel (-09) finish
- Painted White (-30) finish
- Compatible with universal light kits.
- Hugger style housing

Blades

- Five blades
- 11 degree pitch
- MDF blade material

Motor

- Triple capacitor speed control; manual reverse control
- 153mm dia. x 13mm high

Mounting

- Ceiling flush mount
- Unit covers a standard 4" hexagonal recessed outlet box Note: An outlet box assembly designed for fan installation is required (not included)
- Mounting hardware for outlet box included

Electrical

- Pre-wired
- Hugger fan cannot be operated with a remote control. Use P2613-30, P2619-30 pr P2630-30 for speed/light control.
- 1/8" IP accessory adapter

Labeling

- UL Dry location listed

ENERGY INFORMATION AT HIGH SPEED

AIRFLOW:	5106 cubic feet per minute
ELECTRICITY USE:	65 watts (excludes lights)
AIRFLOW EFFICIENCY:	79 cubic feet per minute per watt

Progress Lighting  
701 Millennium Blvd.  
Greenville, South Carolina  
29607

www.progresslighting.com

Rev. 06/13