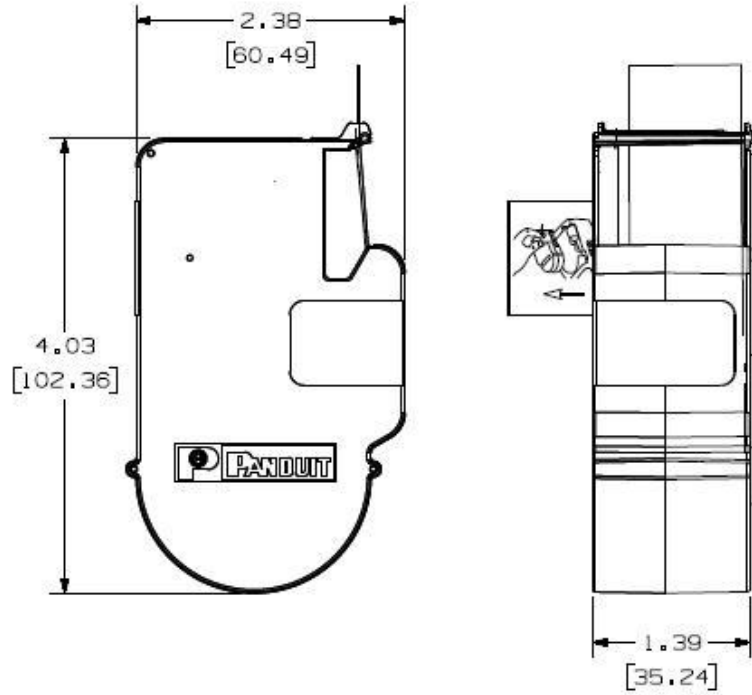
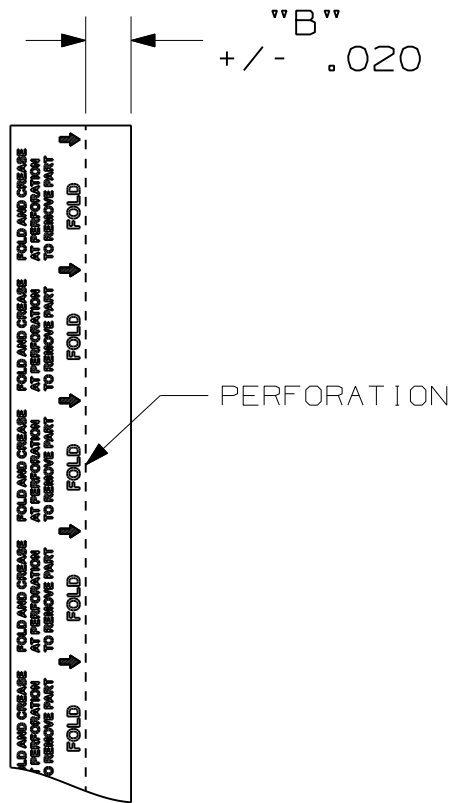


THIS COPY IS PROVIDED ON A RESTRICTED BASIS AND IS NOT TO BE USED IN ANY WAY DETRIMENTAL TO THE INTERESTS OF PANDUIT CORP.

NOTES:

1. MILLIMETER ARE IN [].



PANDUIT PART NO.	MATERIAL	"B" +/- .020	COLOR	ROLL LENGTH
UILS8BW	GMY2	0.236 [6.10]	WHITE	300"

CAD FILENAME/LAYERS
100619HN_C10699_UILS8BW_P1_00.PRT

PANDUIT CORP. TINLEY PARK, ILLINOIS

CUSTOMER DRAWING
UILS8BW P1 CASSETTE

UNLESS OTHERWISE SPECIFIED,
DIMENSIONAL TOLERANCES ARE:
(.X) ± .1 (.XXX) ± .025
(.XX) ± .030 ANGLES ±

UNLESS OTHERWISE SPECIFIED,
ALL DIMENSIONS ARE GIVEN
IN INCHES, THIRD ANGLE PROJECTION.

DRAWN BY RVU	MAT'L:	SCALE NTS
DATE 5/1/08	SEE TABLE	DRAWING NO. C10699
CHK'D		DWG SIZE A

REV	DATE	BY	CHK	DESCRIPTION	ECN	R	CUST	SUP
0	5/1/08	RVU		ENGINEERING RELEASE.	5403	R		