

DLC400BP

4 ZONE LIGHTING CONTROL TIME SWITCH

**FLEXIBLE
INDOOR &
OUTDOOR
LIGHTING
CONTROLLER**

APPLICATIONS



INTERIOR LIGHTING

- Open office zoning
- Hallways
- Meeting and sales areas
- Stock rooms and warehouses

EXTERIOR LIGHTING

- Signage and store windows
- Security
- Parking lots



CALIFORNIA Title 24

ASHRAE 90.1

Model EPC2
supplied with unit.

Memory Module
Programmer optional

With optional
Timed Override

| CAT. NO. | UPC CODE | INPUT SUPPLY (VAC) 50/60 Hz | NO. OF CHANNELS | OUTPUT CONTACTS |
|----------|----------|-----------------------------|-------------------|-----------------|
| DLC400BP | 82191 | 120/208-240/277 | 4 | SPDT |
| USB-MMP | 82196 | Memory Module Programmer | Includes Software | |
| SS410 | 14033 | 24VAC/24VDC | - | SPDT |

FEATURES

CONFIGURABLE ZONES: Simple three position slide switch sets logic for each zone: Time ON/Time OFF, Photo ON/Photo OFF, or Photo ON/ Time OFF.

SCHEDULING: 99 ON & OFF set points allow individual programs for each day of the week. Minimum 1 minute apart.

SunSet ASTRONOMIC: Adjusts daily to changes in sunset times. **1.** Adjustable 10° - 60° Northern or Southern latitudes. **2.** Can be individually offset +/-1-240 minutes from both sunset and sunrise times.

PHOTOSENSOR INPUT: EPC2 photo sensor included.

LIGHT LEVEL ACTIVATION: Turn ON and OFF level is user settable from 1 to 100 footcandle. Each channel has an independent setting.

REMOTE OVERRIDE: Maintained dry contact closure or use TORK Model SS410 for timed override with flash warning before OFF. May use with occupancy sensor as override.

MANUAL OVERRIDE: Until the next regularly scheduled ON or OFF, automatic operation then resumes.

SEASONS: 1 to 4 with different daily schedules which can wrap around into the new year.

HOLIDAYS: 1 to 24 individual dates.

DAYLIGHT SAVING: Automatic adjustment (can be omitted).

LEAP YEAR: Automatic Compensation.

POWER OUTAGE BACKUP: Permanent schedule retention with memory module. Battery provides real time backup for 6 months cumulative.

MEMORY MODULE: Removable MM can be programmed at any one location and inserted into another DZS series unit.

OPTION: Memory Module Programmer with software for computer connection programming. Also allows stand alone battery operation for portable copy feature.

STANDARDS: Listed UL916.

SPECIFICATIONS

TIMING ACCURACY: Line frequency.

INPUT VOLTAGE:

120/208 - 240/277VAC, 50/60Hz.

TERMINAL RANGE: #10 - #14AWG.

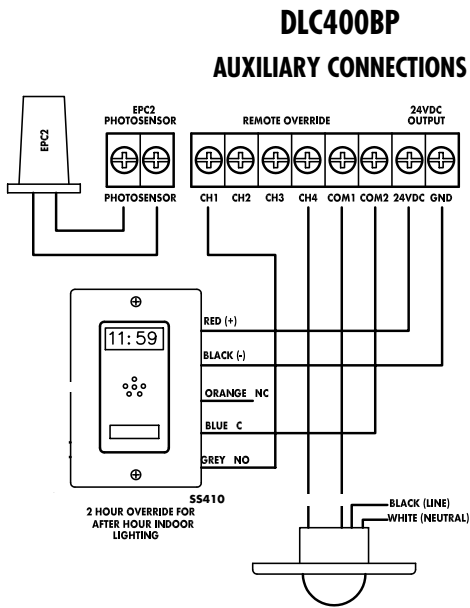
OPERATING TEMPERATURE:

-40 °F to +158 °F (-40 °C to + 55 °C).

POWER CONSUMPTION: 30VA Maximum.

ENCLOSURE: Metal Indoor/Outdoor NEMA 3 with lockable hasp (see pages 589-593 for enclosure dimensions).

| TYPE | VOLTAGE (VAC) | RATING | |
|-----------------|---------------|--------|-------|
| | | NO | NC |
| General Purpose | 24-277, 30VDC | 30A | 30A |
| Ballast | 120-277 | 20A | 10A |
| Tungsten | 120 | 10A | |
| Pilot Duty | 120-277 | 720VA | 720VA |



TORK DIGITAL CONTROL TERMINAL BLOCK

