

# COMPRESSION CONNECTORS

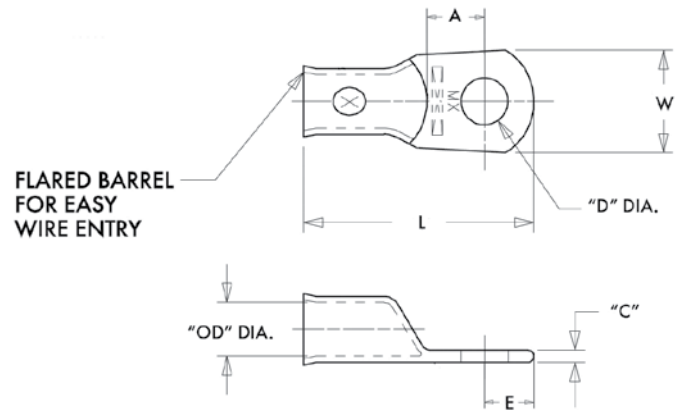
## Copper Soldering Lugs

### S SERIES



#### FEATURES

- Made of pure electrolytic copper single hole.
- Side formed with round ends.
- All lugs marked with ampere rating.



#### RATINGS



**TEMPERATURE RATING:**  
90 °C. Rated 600V.

CAT. NO.	WIRE SIZE	AMPERES	LENGTH (L)	WIDTH (W)	OD	HOLE DIAMETER (D)	TANG THICKNESS (C)	TANG LENGTH (A)	END OF CONN. TO CTR. OF 1ST HOLE (E)	STD. CTN. QTY.
<b>S-1</b>	10	25	0.847	0.267	0.192	0.160	0.057	0.464	0.238	100
<b>S-2</b>	8	30-35	1.313	0.594	0.270	0.278	0.070	0.720	0.342	100
<b>S-3</b>	6	45-50	1.180	0.456	0.315	0.200	0.068	0.555	0.275	100
<b>S-4</b>	4	60-70	1.500	0.531	0.386	0.278	0.080	0.685	0.310	100
<b>S-5</b>	2	90	1.625	0.625	0.427	0.340	0.095	0.730	0.350	50
<b>S-6</b>	1/0	100-125	1.844	0.728	0.493	0.278	0.110	0.840	0.407	50
<b>S-7</b>	2/0	150	2.062	0.824	0.560	0.400	0.110	0.950	0.465	50
<b>S-8</b>	3/0	175	2.156	0.916	0.624	0.400	0.115	0.950	0.520	25
<b>S-9</b>	4/0	200-225	2.344	0.999	0.682	0.400	0.135	1.012	0.510	25
<b>S-10</b>	250	250	2.573	1.187	0.799	0.404	0.140	1.2	0.565	25