

SPECIFICATION SHEET

ELC SERIES ENERGY AND LIGHTING CONTROL 4, 8, AND 12 ZONE

APPLICATIONS

- HVAC equipment.
- Indoor and outdoor lighting.
- Meets indoor and outdoor lighting.
- Energy code requirements.

FEATURES

SCHEDULING:

128 time based events allow individual programs for each day of the week at a minimum 1 minute apart. Event types include ON, OFF, Duration, or Duty Cycle.

SENSOR EVENT:

32 sensor driven events allow individual programs for each day of the week.

SunSet ASTRONOMIC:

Adjusts daily to changes in sunset times. Adjustable 10° - 70° Northern or Southern latitudes. Settings can be offset from both sunset and sunrise times.

UNIVERSAL INPUT:

8 inputs may be assigned to any channel. ELC74 includes 4.

SWITCHED INPUT: Accepts input from optional momentary or maintained switch for a timed override.

PHOTOSENSOR INPUT:

Accepts input from optional sensor. EPC-LC (indoor/outdoor) has a range from 0 - 250 foot-candels.

MOMENTARY CONTACT:

May be configured for momentary ON/OFF operation to control latching contactors. The ELC74 operates as a two channel unit. The ELC78 operates as a four channel unit. The ELC712 operates as a six channel unit.

HOLIDAYS:

26 holidays may be set using 10 individual dates, 10 month type (last Monday in May), or 6 specific holidays with one of 3 independent holiday schedules.

BLOCK HOLIDAY:

10 holiday blocks can be set for individual days or for duration of any number of days and may use one of 3 holiday schedules.

PULSE/TIME DURATION:

4 different ON settings from 1 second to 23 hours, 59 minutes, 59 seconds.

DUTY CYCLE:

4 different ON and OFF patterns from 1 second to 23 hours, 59 minutes, 59 seconds.

DAYLIGHT SAVING:

Automatic adjustment (can be omitted).

LEAP YEAR:

Automatic Compensation.

REMOTE OVERRIDE:

Universal input may be programmed for timed override from a momentary or maintained dry contact switch.

MANUAL OVERRIDE:

Keyboard button control until the next regularly scheduled ON or OFF, automatic operation then resumes.

STAGGERED START:

Optional stagger up time between channels, after a power outage; selectable from 5 seconds, 15 seconds, 30 seconds, 1 minute, 5 minutes, 10 minutes, and 15 minutes.

CLOCK FORMAT:

AM/PM or 24 hour format.

POWER OUTAGE BACKUP:

The program and time of day are maintained for a minimum of 2 days by means of a capacitor. After two days, a lithium battery takes over and provides a minimum accumulated time of 1 year. The lithium battery should provide over 10 years of protection.

SPECIFICATIONS

TIMING ACCURACY:

Line frequency.

INPUT VOLTAGE:

24/120/208-240/277VAC, 50/60Hz.

TERMINAL RANGE:

#10 - #16AWG for line input.

#10 - #16AWG for load output.

#14 - #22AWG universal input.

OPERATING TEMPERATURE:

-20 °F to 140 °F (-29 °C to 60 °C).

POWER CONSUMPTION:

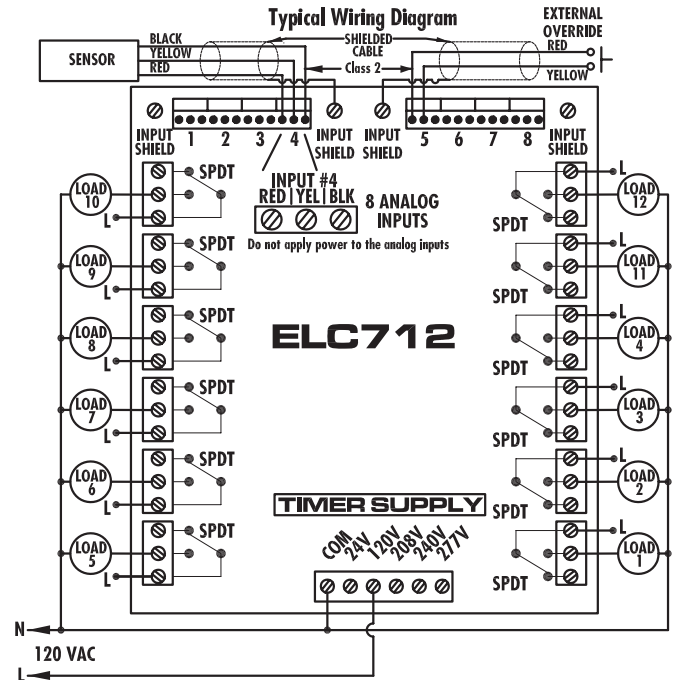
10VA Maximum.

ENCLOSURE:

Metal Indoor NEMA 1 with lockable hasp.



WIRE DIAGRAM



ORDERING INFO

CAT. NO.	UPC CODE	TIMER SUPPLY (VAC) 50/60Hz	NO. OF CHANNELS	OUTPUT CONTACTS
ELC74	82523	24/120/208-240/277	4	SPDT
ELC78	82524	24/120/208-240/277	8	SPDT
ELC712	82525	24/120/208-240/277	12	SPDT
EPC-LC	82233	Accessory Photo Sensor	-	-
LCS115M	82082	Accessory Momentary Switch	-	SPST

CONTACT RATINGS

TYPE	VOLTAGE (VAC)	RATING	
		NO	NC
General Purpose	24/120 - 277	20A	15A
Ballast	120-277	20A	20A
Tungsten	120-277	5A	-
Pilot Duty	120-240	470VA	275VA
Motor	120	1HP	1/4HP
	208-277	2HP	1/2HP