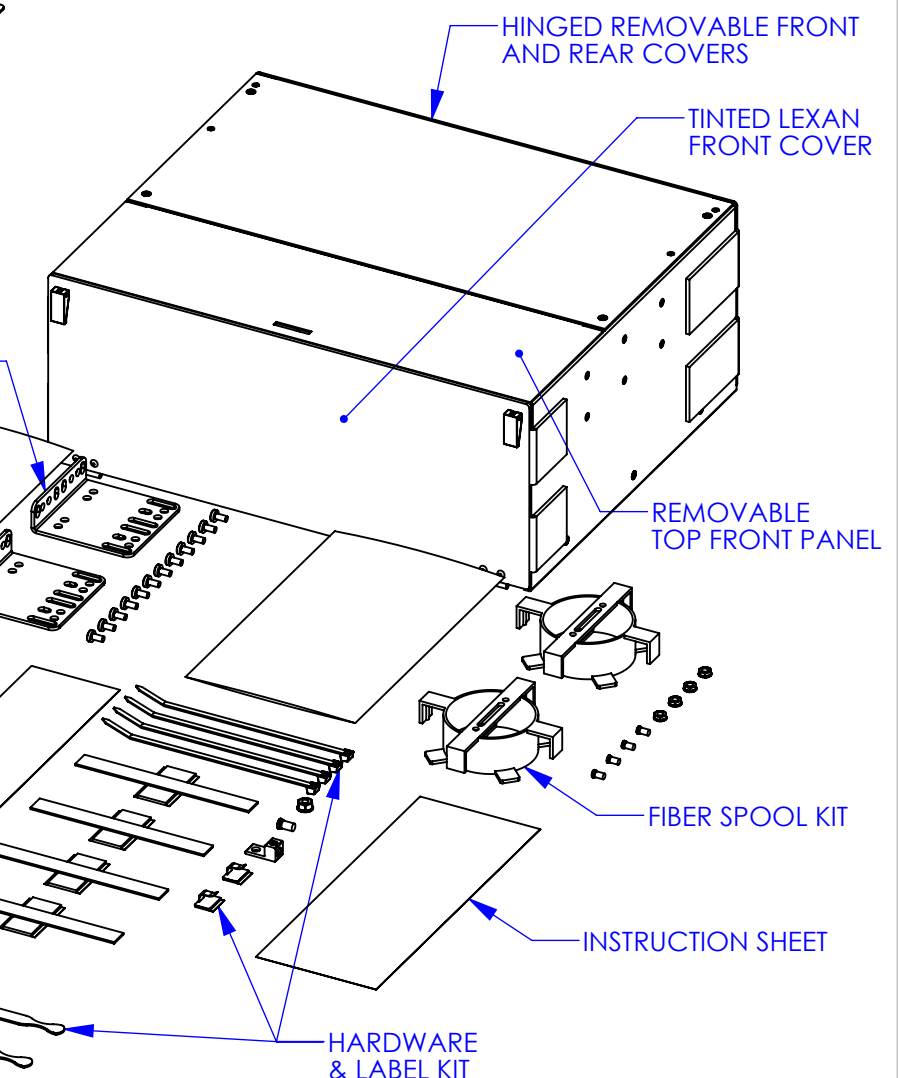
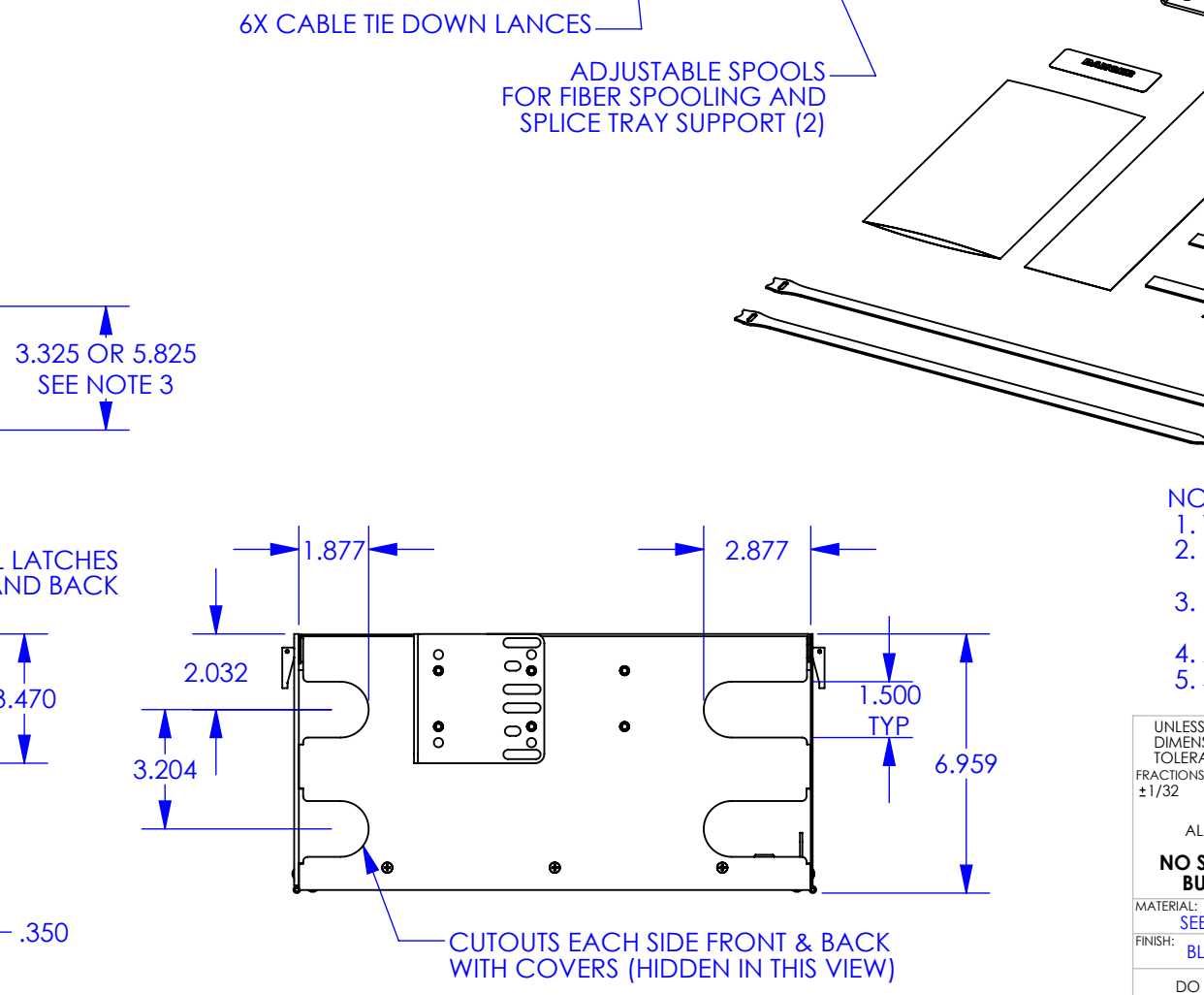
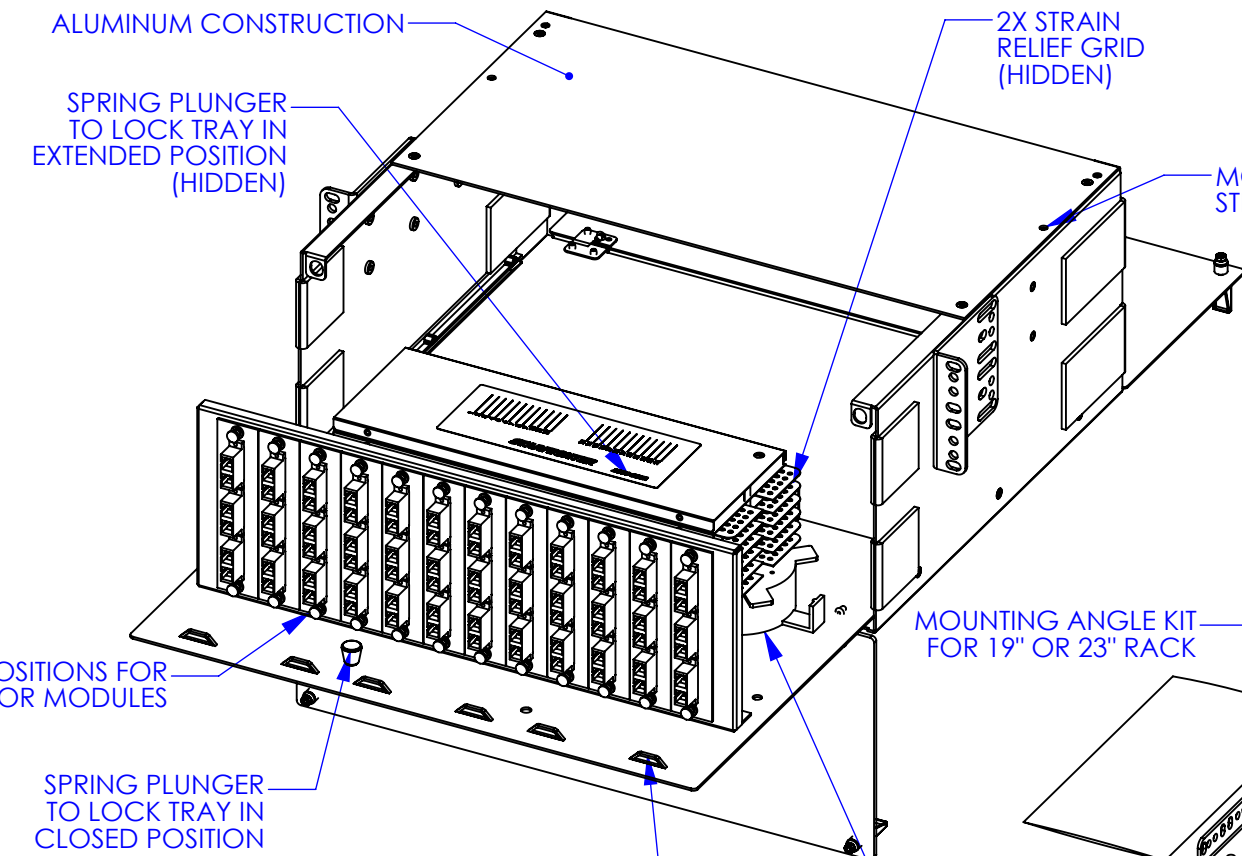
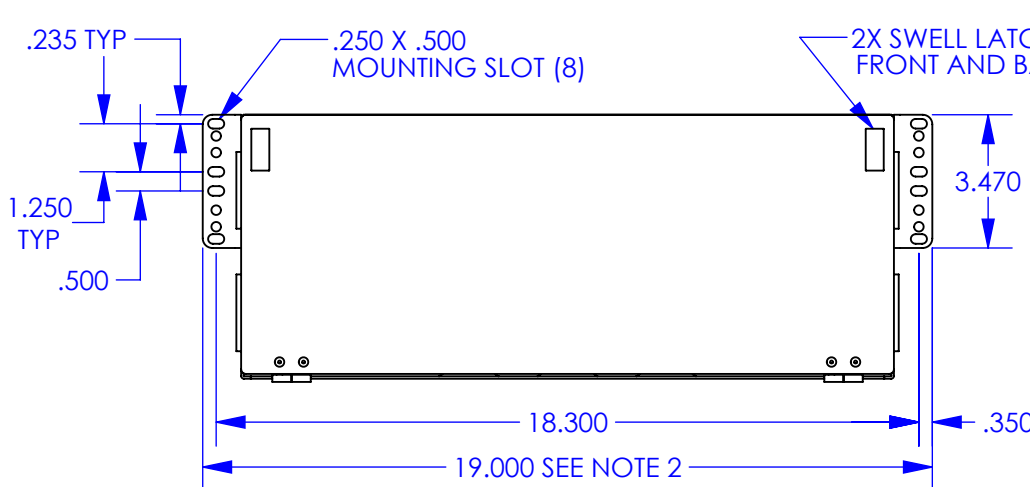
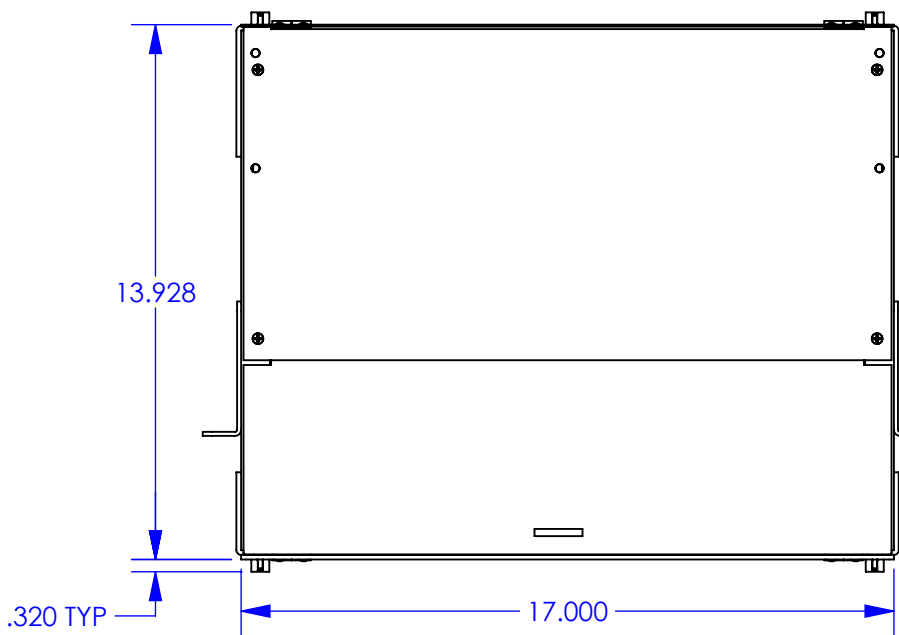
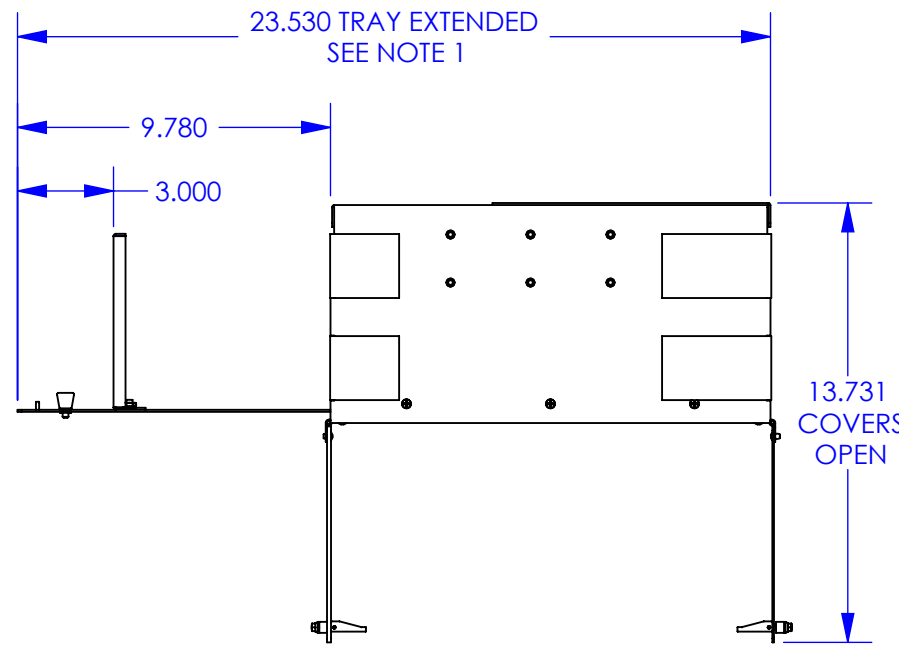


| REV. | ECN # | DESCRIPTION OF CHANGE | DATE     | BY  | MFG ENG |
|------|-------|-----------------------|----------|-----|---------|
| 01   | N/A   | INITIAL RELEASE       | 05/03/13 | SAB |         |
|      |       |                       |          |     |         |
|      |       |                       |          |     |         |



- NOTES:
1. TRAY LOCKS IN EXTENDED POSITION WITH SPRING PLUNGER.
  2. MOUNTING ANGLES ARE CONFIGURABLE FOR 19" RACK (SHOWN) AND 23" RACK.
  3. MOUNTING ANGLES HAVE (2) MOUNTING POSITIONS, FORWARD MOST SHOWN.
  4. ALSO AVAILABLE IN OFF-WHITE, P/N 045-800-11.
  5. SPLICE TRAYS AND ADAPTER PANELS SHOWN FOR REFERENCE ONLY.

UNLESS OTHERWISE SPECIFIED DIMENSIONS ARE IN INCHES TOLERANCES ARE:

FRACTIONS: DECIMALS: ANGLES:  
 $\pm 1/32$  .XX =  $\pm .03$   $\pm 1^\circ$   
 .XXX =  $\pm .010$

ALL FLATS TO BE  $\pm .005$

**NO SHARP EDGES OR BURRS ALLOWED**

MATERIAL: SEE B.O.M.  
 FINISH: BLACK TEXTURED

DO NOT SCALE DRAWING

THIS DOCUMENT AND THE INFORMATION CONTAINED THEREIN ARE CONFIDENTIAL & PROPRIETARY TO MULTILINK AND MAY NOT BE COPIED OR DISCLOSED TO OTHERS WITHOUT A WRITTEN CONSENT FROM MULTILINK. THE INFORMATION IS TO BE PROMPTLY RETURNED TO MULTILINK UPON REQUEST.

DRAWN BY: SAB  
 CHECKED: DATE:  
 MFG ENG: DATE:  
 QUALITY ENG: DATE:

DATE: 05/03/2013

**Multilink**

FRM-4RU-12X-TS-S BK

SIZE **B** DWG. NO. 045-800-10REF REV. 01  
 SCALE: 1:5 CAD FILE: 045-800-10REF SHEET: 1 OF 1