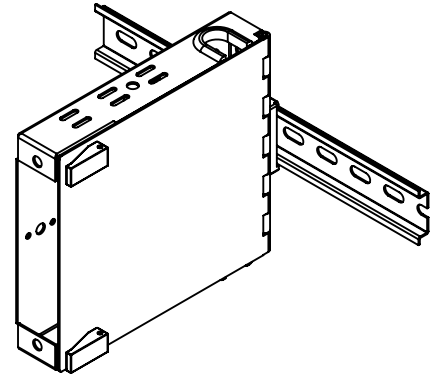
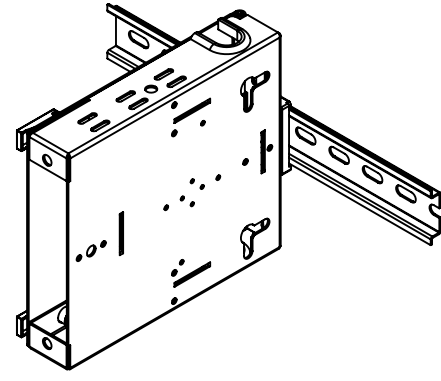


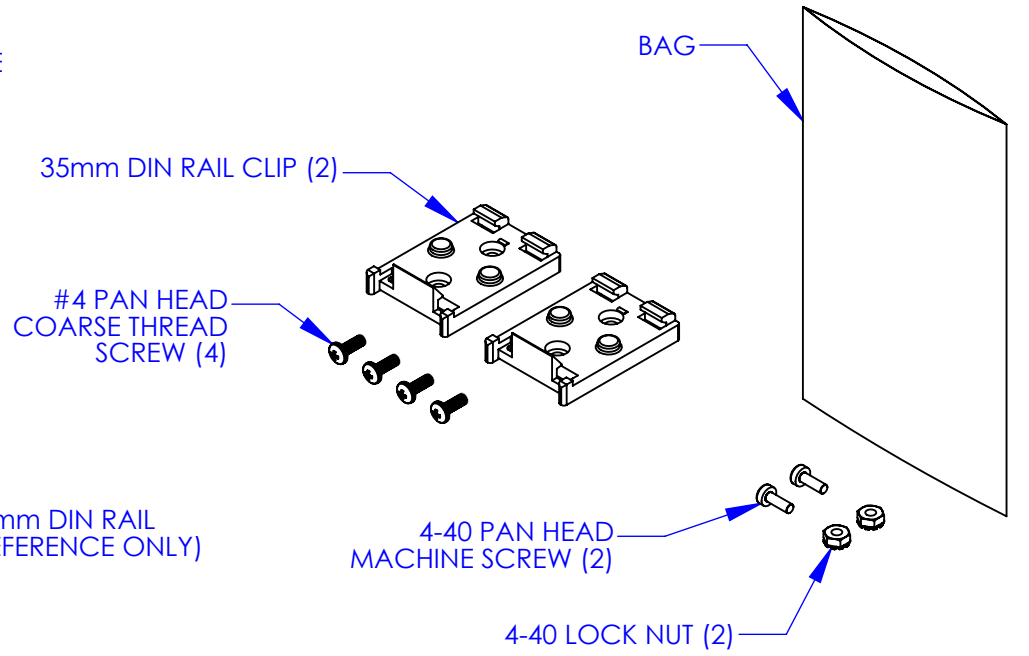
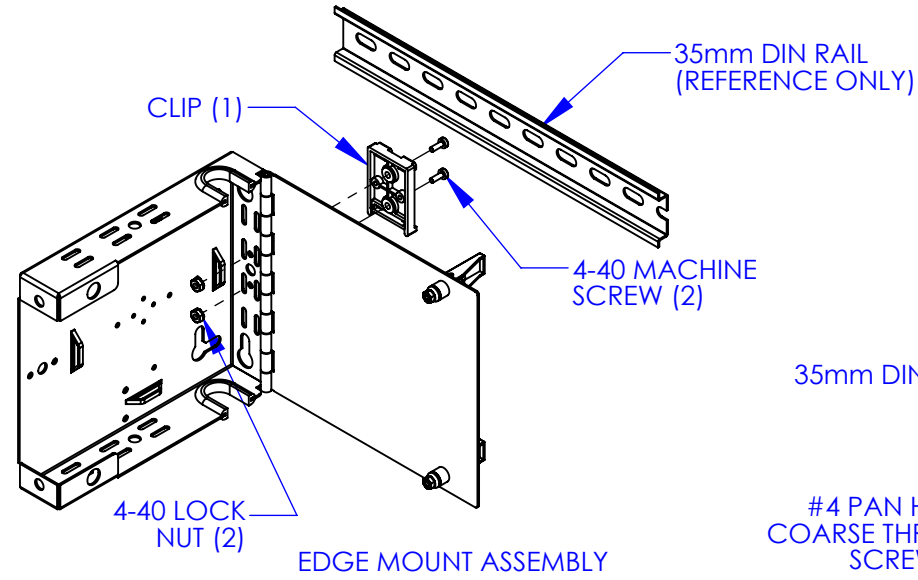
REV.	ECN #	DESCRIPTION OF CHANGE	DATE	BY	MFG ENG
01	N/A	INITIAL RELEASE	05/21/13	SAB	



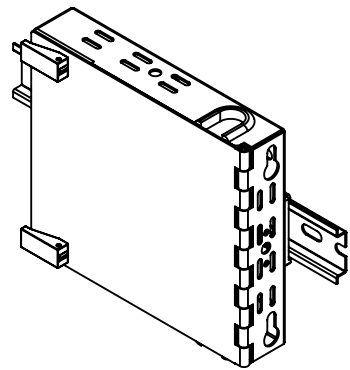
EDGE MOUNT DOOR RIGHT



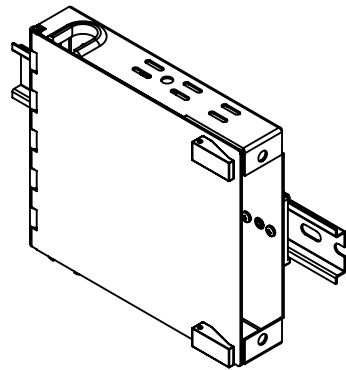
EDGE MOUNT DOOR LEFT



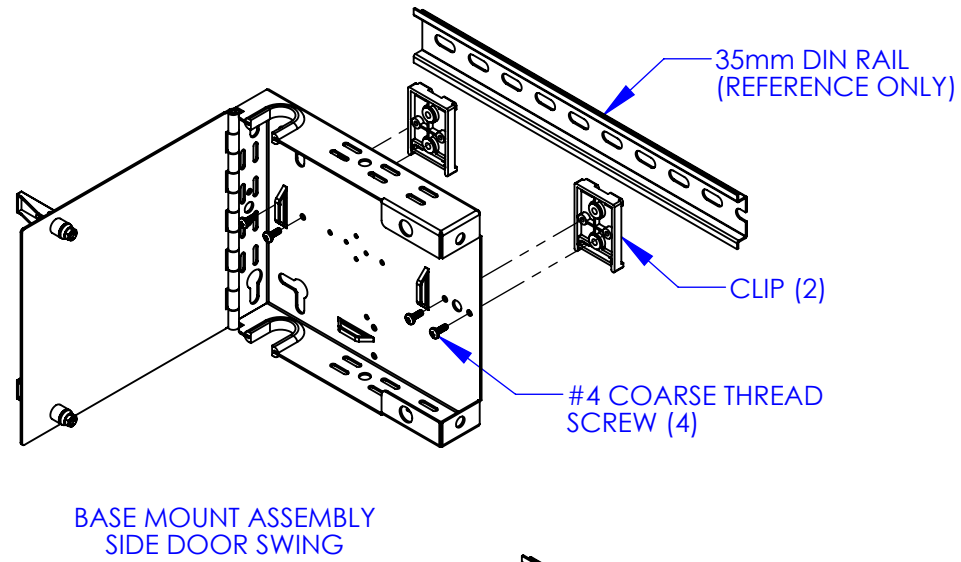
35mm DIN RAIL MOUNTING KIT
P/N 072-188-20



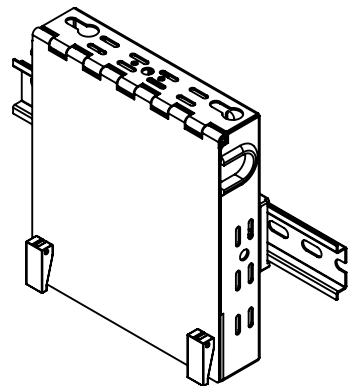
BASE MOUNT HINGE RIGHT



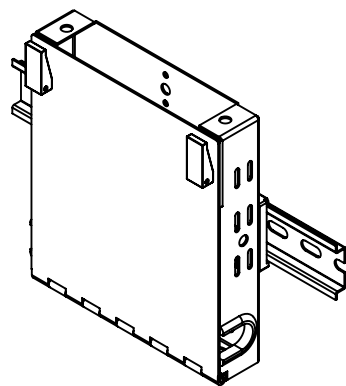
BASE MOUNT HINGE LEFT



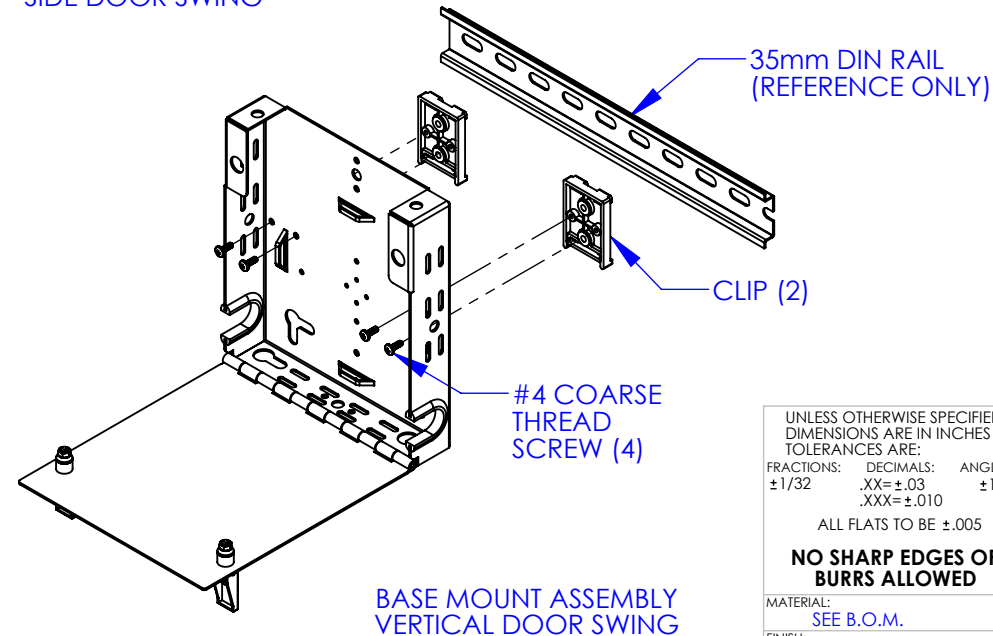
BASE MOUNT ASSEMBLY
SIDE DOOR SWING



BASE MOUNT HINGE UP



BASE MOUNT HINGE DOWN



BASE MOUNT ASSEMBLY
VERTICAL DOOR SWING

- NOTES:
1. DIN RAIL MOUNTING KIT P/N 072-188-20 INCLUDES TWO CLIPS AND HARDWARE, SEE DIAGRAM.
 2. SHEET 1 SHOWS ALL MOUNTING CONFIGURATIONS AND ASSEMBLY DIAGRAMS. SHEET 2 SHOWS DIMENSIONS OF THE FWM-1X BACK EDGE DIN RAIL MOUNTED FOR REFERENCE.

UNLESS OTHERWISE SPECIFIED DIMENSIONS ARE IN INCHES
TOLERANCES ARE:
FRACTIONS: DECIMALS: ANGLES:
± 1/32 .XX ± .03 ± 1°
.XXX ± .010

ALL FLATS TO BE ± .005

NO SHARP EDGES OR BURRS ALLOWED

MATERIAL: SEE B.O.M.
FINISH: N/A

DO NOT SCALE DRAWING

THIS DOCUMENT AND THE INFORMATION CONTAINED THEREIN ARE CONFIDENTIAL & PROPRIETARY TO MULTILINK AND MAY NOT BE COPIED OR DISCLOSED TO OTHERS WITHOUT A WRITTEN CONSENT FROM MULTILINK. THE INFORMATION IS TO BE PROMPTLY RETURNED TO MULTILINK UPON REQUEST.

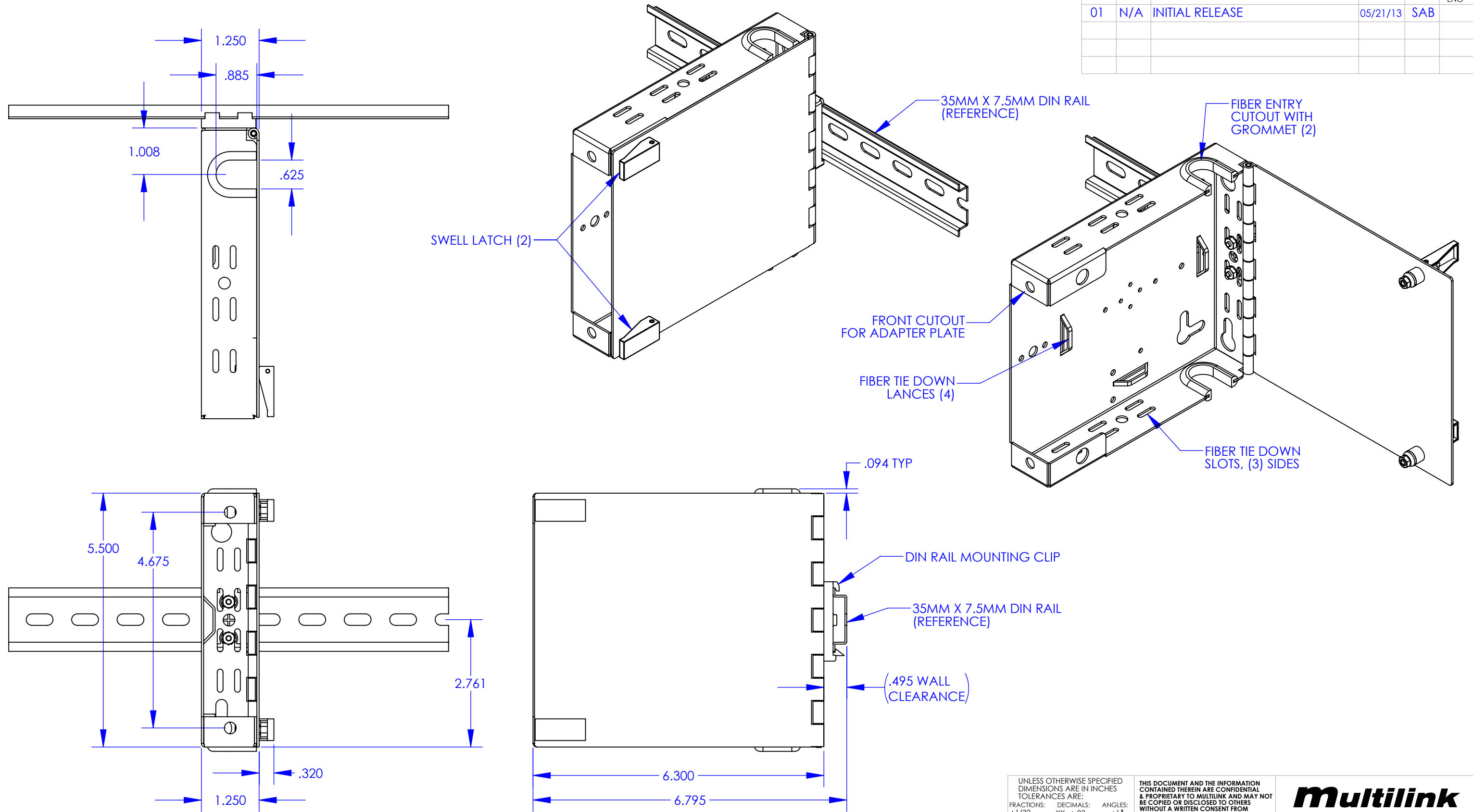
DRAWN BY: SAB DATE: 05/21/2013
CHECKED: DATE:
MFG ENG: DATE:
QUALITY ENG: DATE:

Multilink


FWM-1X
W/DIN RAIL
MOUNTING KIT

SIZE B DWG. NO. 072-188-20REF REV. 01
SCALE: 1:4 CAD FILE: 072-188-20REF SHEET: 1 OF 2

REV.	ECN #	DESCRIPTION OF CHANGE	DATE	BY	MFG ENG
01	N/A	INITIAL RELEASE	05/21/13	SAB	



UNLESS OTHERWISE SPECIFIED DIMENSIONS ARE IN INCHES TOLERANCES ARE: FRACTIONS: ±1/32 DECIMALS: .XX=±.03 .XXX=±.010 ANGLES: ±1° ALL FLATS TO BE ±.005		THIS DOCUMENT AND THE INFORMATION CONTAINED THEREIN ARE CONFIDENTIAL & PROPRIETARY TO MULTILINK AND MAY NOT BE COPIED OR DISCLOSED TO OTHERS WITHOUT A WRITTEN CONSENT FROM MULTILINK. THE INFORMATION IS TO BE PROMPTLY RETURNED TO MULTILINK UPON REQUEST.	
NO SHARP EDGES OR BURRS ALLOWED		DRAWN BY: SAB	DATE: 05/21/2013
MATERIAL: SEE B.O.M.		CHECKED:	DATE:
FINISH: N/A		MFG ENG:	DATE:
DO NOT SCALE DRAWING		QUALITY ENG:	DATE:



**FWM-1X
W/DIN RAIL
MOUNTING KIT**

SIZE **B** DWG. NO. **072-188-20REF** REV. **01**

SCALE: 1:2 CAD FILE: 072-188-20REF SHEET: 2 OF 2