



Catalog Number: 363010-CT3R
Item Description: CT3R HINGED PADLCKBL ENCL
UPC Code: 784572188235

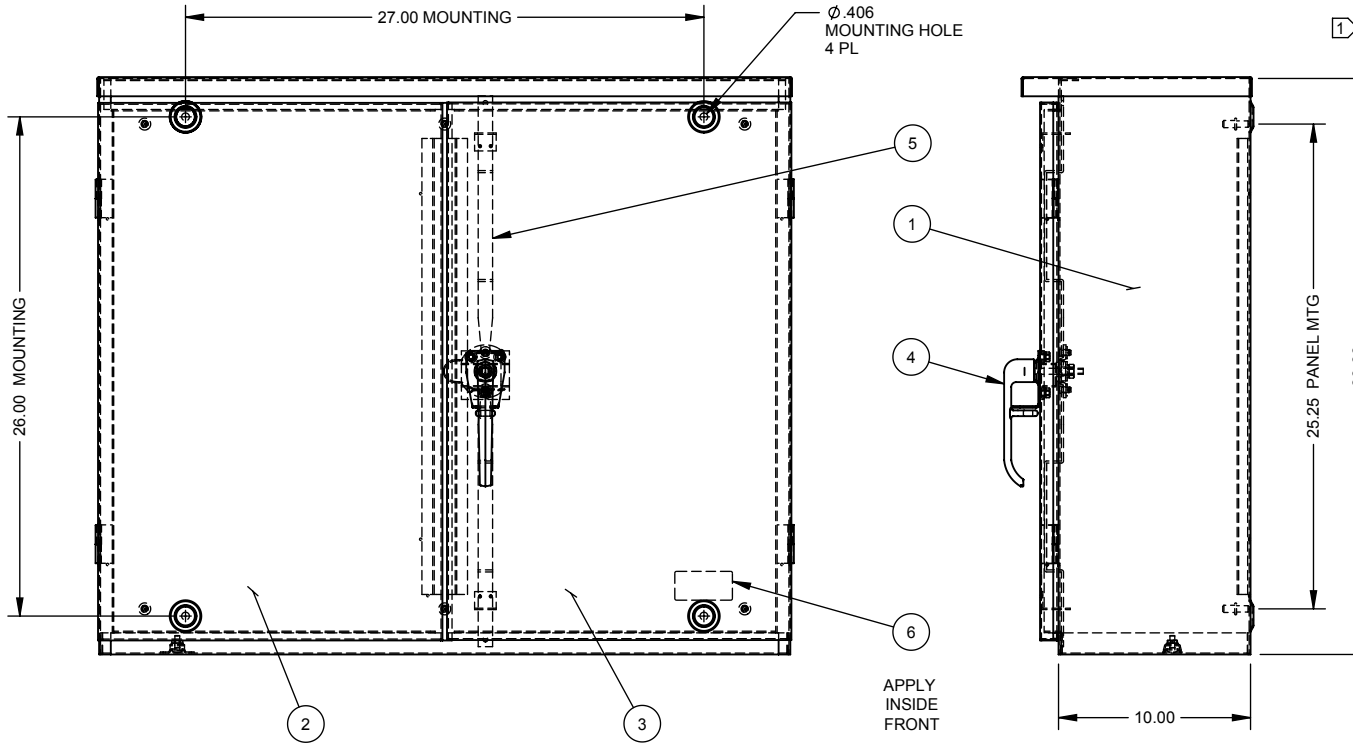
Brand Name: Milbank
Type: Hinge Cover
Special Features: Double Door
Application: Current Transformer Enclosure
Standard: UL Listed
Material: Steel with Powder Coat Finish
Cable Entry: No Knockouts
Mounting: Pad Mount, Wall Mount
NEMA Rating: Type 3R



Utility requirements may vary. Always consult the serving utility for their requirements prior to ordering or installing this equipment. This product must always be installed by a licensed electrician. Installation of this equipment may require local electrical inspector approval.

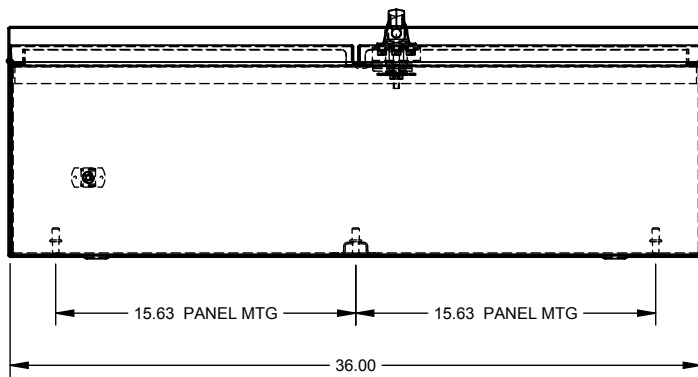
PREFIX	LABEL NO.
NONE	1003115
RC-	1125418

ITEM	QTY.	PART NUMBER	DESCRIPTION
1	1	1127640	BACK WELDMENT
2	1	1127647	DOOR WELDMENT
3	1	1127645	WELDMENT, RIGHT FRONT
4	1	1004575	ASSY, 3PT LATCH, PADLCKBL
5	2	1093671	LATCH SLIDE
6	1	(SEE CHART)	LABEL (UL)
7	1	1002874	BAG ASSY, PNL MTG HDWR (NOT SHOWN)
8	1	1092946	CARTON (NOT SHOWN)


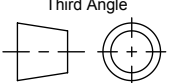


NOTES:

- ① PACK INSIDE ENCLOSURE (NOT SHOWN).
- 2. FOR CATALOG NUMBERS WITH -PI SUFFIX INSTALL PANEL 1092201 USING BAG ASSEMBLY IN B.O.M.
- 3. FOR CATALOG NUMBERS WITH -WB SUFFIX INSTALL PANEL 1098569 USING BAG ASSEMBLY IN B.O.M.



CAT#	MATERIAL	FINISH
363010-CT3R	GALVANIZED	ANSI 61 GRAY
363010-CT3R-PI	GALVANIZED	ANSI 61 GRAY
363010-CT3R-WB	GALVANIZED	ANSI 61 GRAY

Material:	SEE CHART	 General Offices: Kansas City, MO
Shear/ Die#:		
Finish:	SEE CHART	
Part Wt.:		
Tolerances: Unless Specified Otherwise X.X ±.1 X.XX ±.03 X.XXX ±.015 X* ±2*		Title: 36 x 30 x 10, 2 DOOR TYPE 3R, FREE STANDING Catalog No.: SEE CHART Customer: MILBANK STANDARD Drawing No.: 1008645
Third Angle 		Scale: NTS Drawn By: DR Checked By: Approved By:
Date: 12-12-02		Sheet 1 of 1

NEMA DWG.: #891

REV.	DATE	DESCRIPTION	BY
A2	1-29-07	UPDATED TO M2K & CORRECTED DOOR PIC ECO. 15567	DL
A3	7/11/11	DWG NO. WAS 891; UPDATE BILL (ECO #20954)	D.F.