



Catalog Number: 1212TFLC
Item Description: SMTL ENCL ACCESSORIES
UPC Code: 784572101722

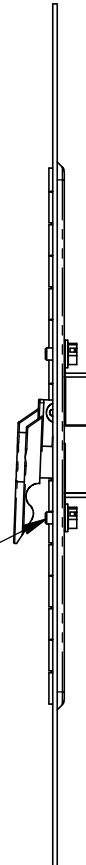
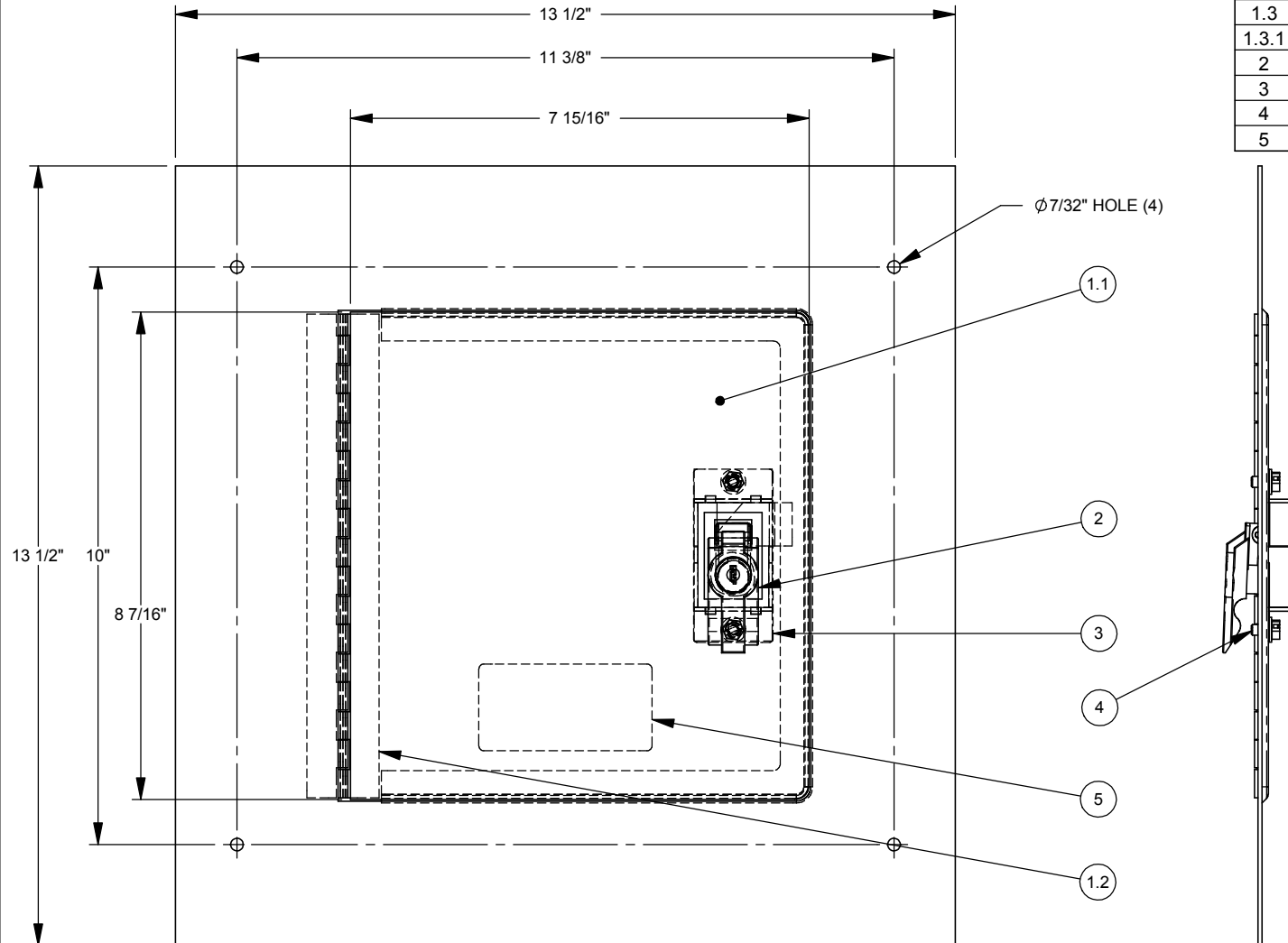
Brand Name: Milbank
Type: Indoor Replacement Flush Mount
Screw Cover
Application: Enclosure Accessory
Material: Steel
Shape: Square
Color: ANSI 61 Gray
Mounting: Screw Mount




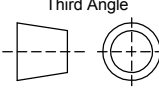
Utility requirements may vary. Always consult the serving utility for their requirements prior to ordering or installing this equipment. This product must always be installed by a licensed electrician. Installation of this equipment may require local electrical inspector approval.

CATALOG#	LABEL#
1212TFLC	1003115
RC-1212TFLC	1125418

ITEM	QTY.	PART NUMBER	DESCRIPTION
1	1	1011223	FRONT WELDMENT
1.1	1	1163430	DOOR
1.2	1	1011846	PIANO HINGE
1.3	1	1133834	FLUSH COVER
1.3.1	-		Sheet
2	1	1011651	LATCH, SLAM
3	1	1094571	SPACER, SLAM LATCH
4	2	1001290	SCREW, 10-32 X 5/16
5	1	SEE CHART	LABEL (UL)



REV.	DATE	DESCRIPTION	BY
F1	2/20/13	REDRAW INTO SOLIDWORKS (ECO #23576)	D.F.
G	05/12/14	ADDED CHART	AJS

Material:	14 GA. GALV. STEEL	 <p>General Offices: Kansas City, MO</p>	
Shear/ Die#:			
Finish:	MILBANK LIGHT GRAY		
Part Wt.:			
Tolerances: Unless Specified Otherwise X.X ±.1 X.XX ±.03 X.XXX ±.015 X* ±2*		Third Angle 	
Title:	FLUSH COVER 1212XX-TC1F	Catalog No.:	1212TFLC
Customer:	MILBANK STANDARD	Drawing No.:	1012273
Scale:	NTS	Checked By:	
Drawn By:	D.F.	Approved By:	
Date:	2/20/13	Sheet	1 of 1