



Catalog Number: 12126-HC3R-NK
Item Description: N3R HINGE COVER ENCL NK
UPC Code: 784572158399

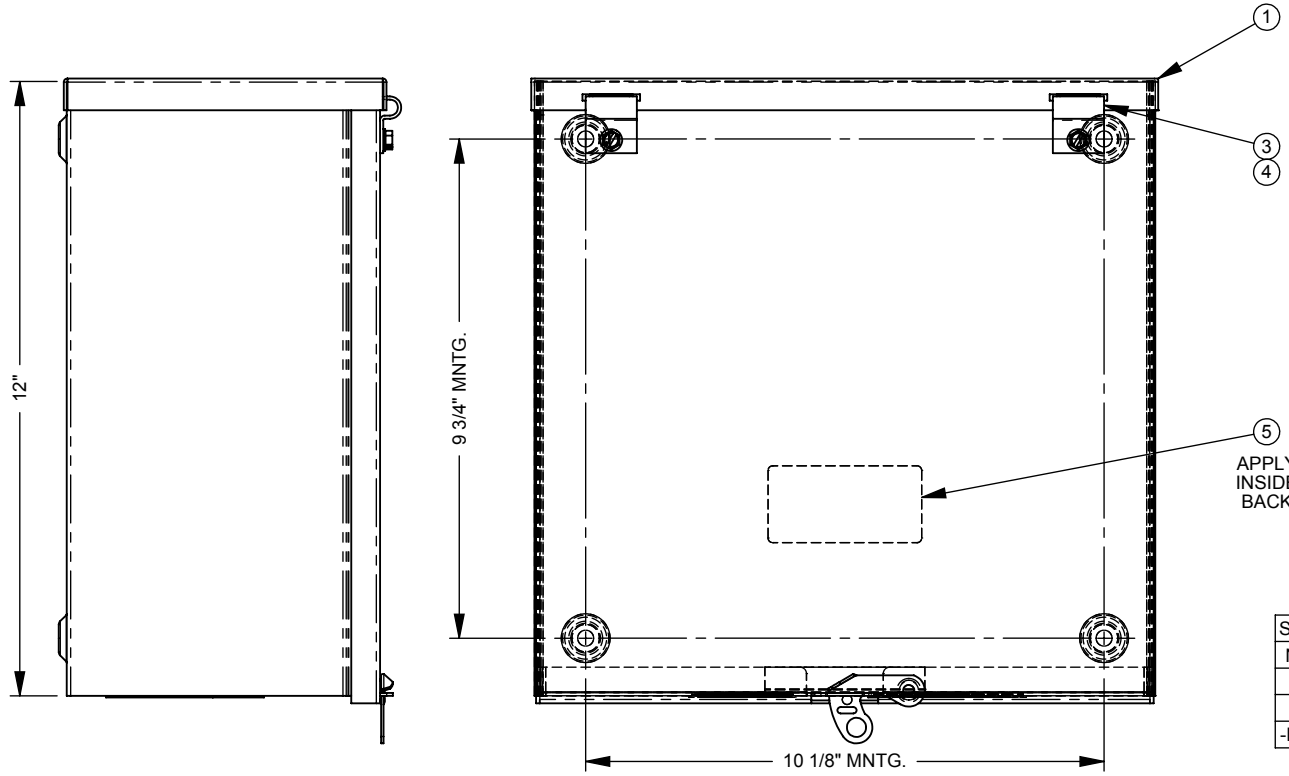
Brand Name: Milbank
Type: Hinge Cover
Special Features: Formed Steel Hinges, Drip Shield Top, Sealing Provision on Front Cover
Application: Enclosure for Mounting Electrical Equipment
Standard: UL Listed
Number Of Outlet: 0
Material: Steel with Powder Coat Finish
Color: ANSI 61 Gray
Mounting: Wall Mount
NEMA Rating: Type 3R



Utility requirements may vary. Always consult the serving utility for their requirements prior to ordering or installing this equipment. This product must always be installed by a licensed electrician. Installation of this equipment may require local electrical inspector approval.

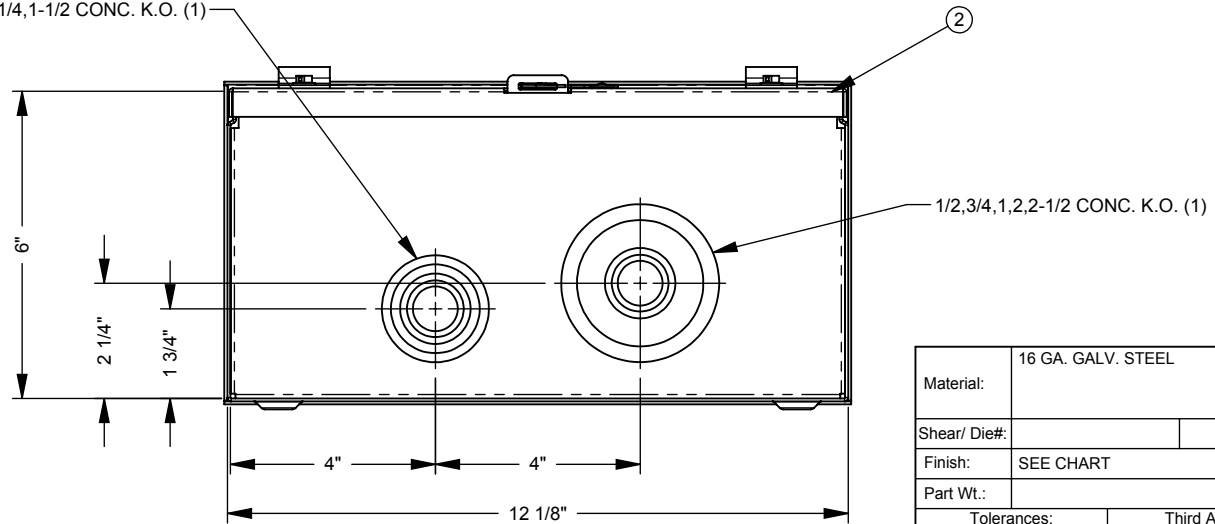
PREFIX	LABEL NO.
NONE	1003115
RC-	1125418

ITEM	QTY.	PART NUMBER	DESCRIPTION
1	1	(SEE CHART)	BACK WELDMENT
2	1	(SEE CHART)	FRONT ASSY
3	2	1003198	HINGE
4	2	1001290	SCREW, 10-32 X 5/16
5	1	(SEE CHART)	LABEL (UL)
6	0.33	1003469	CARTON 3-PER (NOT SHOWN)




SUFFIX	FINISH	WELDMENT	FRONT	INSTALL KOs
NONE	MILBANK LIGHT GRAY	1011241	1012255	YES
-NP	NONE	1011242	1159106	YES
-NK	MILBANK LIGHT GRAY	1159107	1012255	NO
-NK-NP	NONE	1159108	1159106	NO

1/2,3/4,1,1-1/4,1-1/2 CONC. K.O. (1)



NEMA DWG.: #496

REV.	DATE	DESCRIPTION	BY
D5	5/9/12	REDRAW INTO SOLIDWORKS (ECO #22307)	D.F.

Material:	16 GA. GALV. STEEL	 <p>General Offices: Kansas City, MO</p>
Shear/ Die#:		
Finish:	SEE CHART	
Part Wt.:		
Tolerances: Unless Specified Otherwise X.X ±.1 X.XX ±.03 X.XXX ±.015 X* ±2*		Title: HINGE COVER CAN NEMA TYPE 3R
Scale: NTS Drawn By: D.F.		Catalog No.: 12126-HC3R-()
Checked By: Approved By:		Customer: MILBANK STANDARD
Date: 5/9/12		Drawing No.: 1010461
Sheet 1 of 1		