

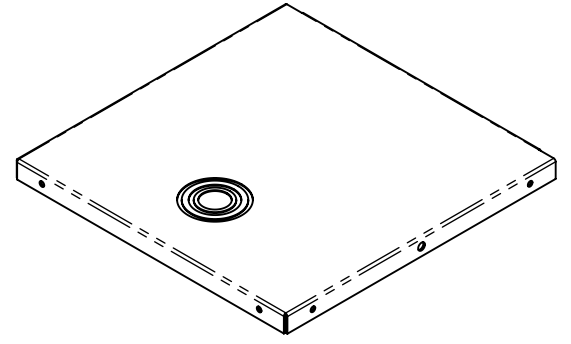
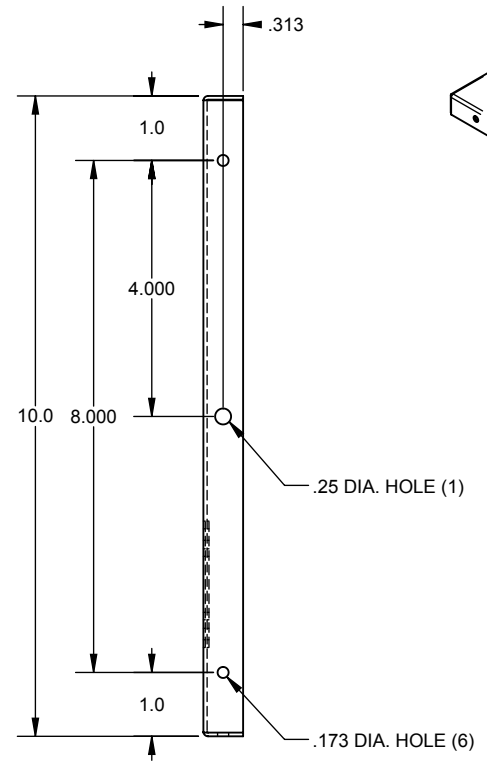
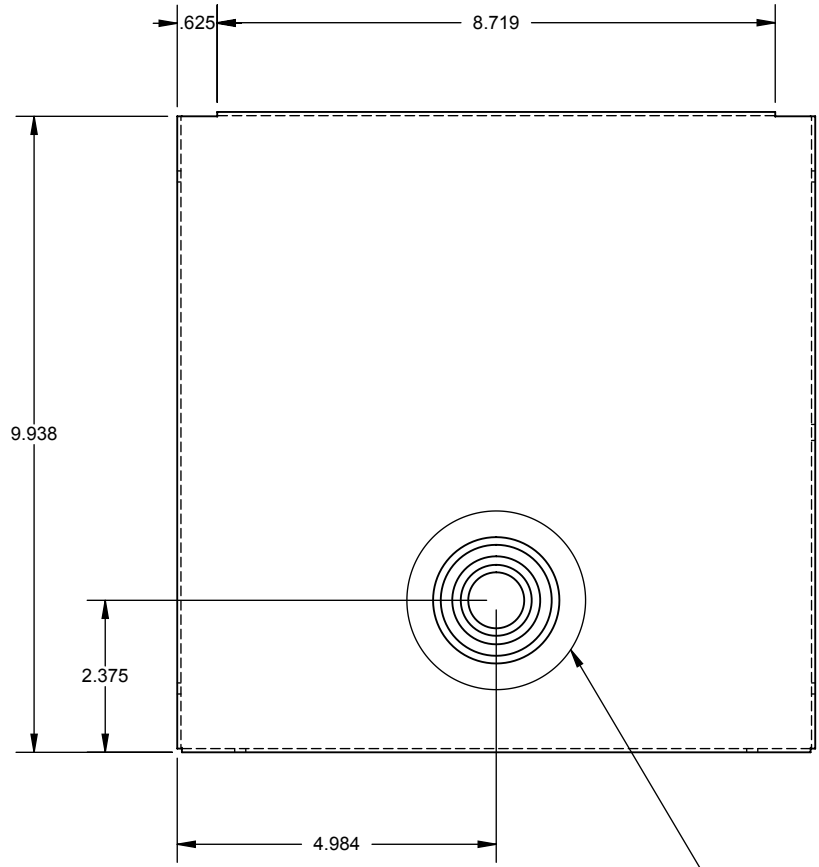


Catalog Number: 1010GE-NK
Item Description: WIREWAY ACCESSORY
UPC Code: 784572100497

Brand Name: Milbank
Type: Wireway End
Application: Wireway Accessory
Standard: UL Listed, Type 1
Cover Type: Screw Cover
Enclosure: Indoor Enclosure
Material: Steel with Powder Coat Finish
Finish: ANSI 61 Gray
Knockouts: False



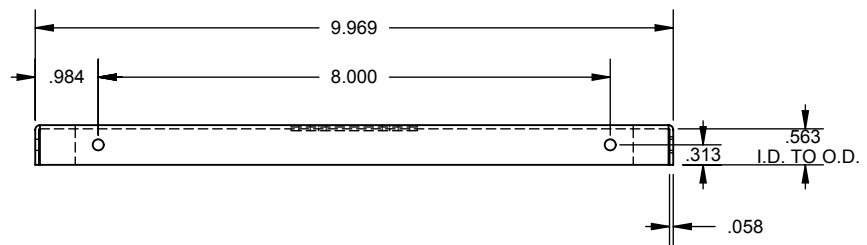
Utility requirements may vary. Always consult the serving utility for their requirements prior to ordering or installing this equipment. This product must always be installed by a licensed electrician. Installation of this equipment may require local electrical inspector approval.



1/2, 3/4, 1, 1 1/4, 1 1/2, 3" CONC. K.O. (1)

SUFFIX	SUPPLY WITH:
NONE	N/A
-SSH	1132855 (2)

SUFFIX	M2K NO.	FINISH	COVER NO.	INSTALL KO
NONE	1001532	MILBANK LIGHT GRAY	1153549	YES
-NP	1153384	NONE	1011920	
-NK	1011248	MILBANK LIGHT GRAY	1153553	NO
-NK-NP	1011249	NONE	1011918	



Material:	16 GA. GALV. STL #1024573	
Shear/ Die#:		
Finish:		
Part Wt.:	1.974 LBS. EA.	
Tolerances:	Third Angle	
Unless Specified Otherwise		
X.X	±.1	
X.XX	±.03	
X.XXX	±.015	
X"	±2°	
Scale:	NTS	Checked By:
Drawn By:	CMW	Approved By:

MILBANK
General Offices: Kansas City, MO

Title: SCREW COVER WIREWAY
10 X 10 GSC1

Catalog No.: 1010GE- ()

Customer:

Drawing No.: **1001532**

Date: 2-10-10 Sheet 1 of 1

REV.	DATE	DESCRIPTION	BY
E2	2-10-10	(mECO #19107) REDRAWN TO SOLIDWORKS, ADD MATERIAL INFORMATION	CMW
E3	6/2/11	CHART PAINTED/UNPAINTED VERSIONS (ECO #20759)	D.F.