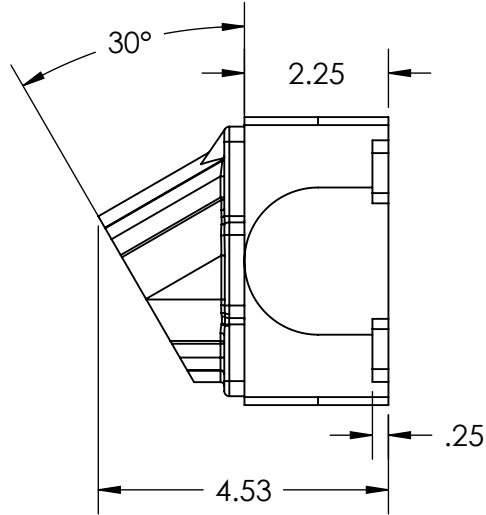
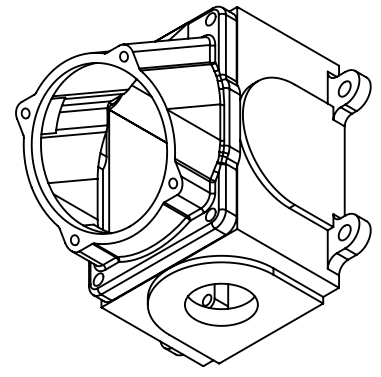
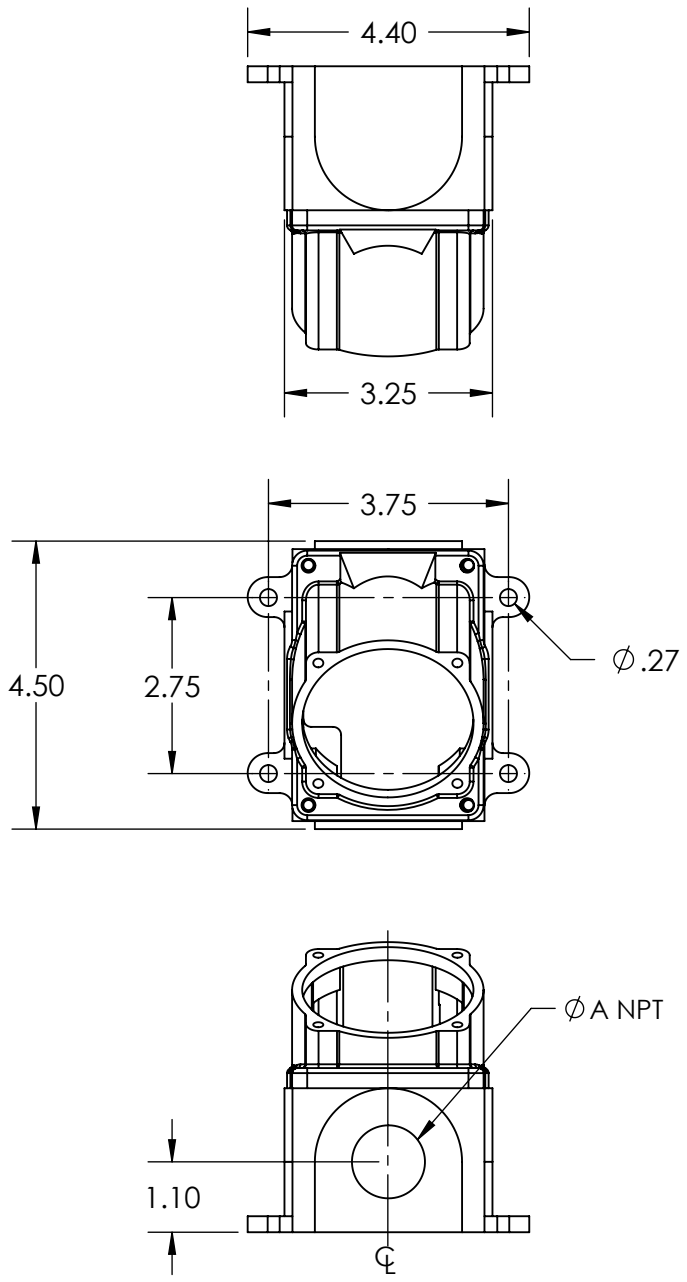


This drawing is the property of MELTRIC Corporation, Franklin (Milwaukee) Wisconsin, USA. Any unauthorized copying of this drawing by any means, ENG/RD/06 REV: 20 ISSUED DATE: 1/15/11 or disclosure of its contents to any person not authorized by MELTRIC Corporation or its agents to receive it, is strictly prohibited.



PART #	NTP "A"
61-6A053-080-12	1/2" NPT
61-6A053-080-34	3/4" NPT
61-6A053-080-1	1" NPT
61-6A053-080-114	1 1/4" NPT

TOLERANCES UNLESS OTHERWISE SPECIFIED

MACHINED SURFACES $\sqrt[125]{\text{MAX}}$

GROUND SURFACES $\sqrt[32]{\text{MAX}}$

ANGLE TOLERANCE $\pm 1^\circ$

REMOVE BURRS & SHARP EDGES TO .015 MAX.

DIMENSIONS SHOWN IN OVALS ARE INSPECTION DIMENSIONS.

ENGLISH

0.X ± 0.05

0.XX ± 0.01

0.XXX ± 0.005

MELTRIC CORPORATION

DRAWN	APPROVED	DRAWING TITLE:	
		DSN 60 BOX/ANGLE ASSEMBLY	
DATE:	SCALE	MATERIAL:	
	NTS	PAINTED METAL & BLUE POLY	
SHEET:	PART NUMBER		REVISION
1 OF 1	61-6A053-080-xxx		