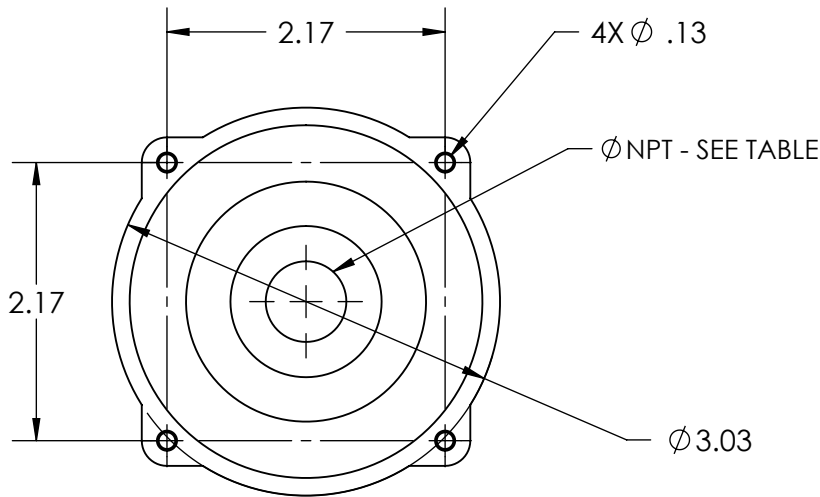
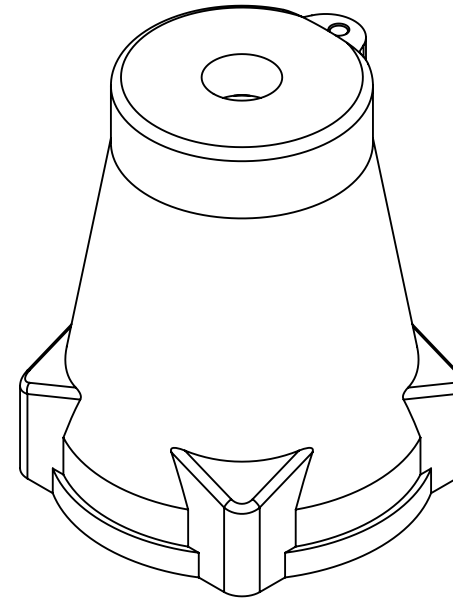
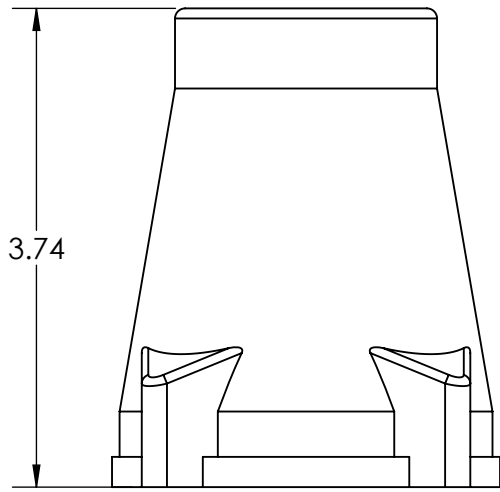


This drawing is the property of MELTRIC Corporation, Franklin (Milwaukee) Wisconsin, USA. Any unauthorized copying of this drawing by any means, ENG/RD/06 REV: 20 ISSUED DATE: 1/15/11 or disclosure of its contents to any person not authorized by MELTRIC Corporation or its agents to receive it, is strictly prohibited.



| PART NUMBER | THREAD SIZE |
|--------------|-------------|
| 61-6A013-12 | 1/2" NPT |
| 61-6A013-34 | 3/4" NPT |
| 61-6A013-1 | 1" NPT |
| 61-6A013-114 | 1 1/4" NPT |

| | | | | |
|---|--|------------------|------------------------------------|---|
| TOLERANCES UNLESS OTHERWISE SPECIFIED | | | | |
| MACHINED SURFACES $\sqrt{125} \text{ MAX}$ GROUND SURFACES $\sqrt{32} \text{ MAX}$ ANGLE TOLERANCE $\pm 1^\circ$ REMOVE BURRS & SHARP EDGES TO .015 MAX. | ENGLISH 0.X ± 0.05 0.XX ± 0.01 0.XXX ± 0.005 | DRAWN | APPROVED | DRAWING TITLE: 60 AMP THREADED HANDLE |
| | | DATE: | SCALE NTS | MATERIAL: BLUE POLY |
| | | SHEET: 1 OF 1 | PART NUMBER 61-6A013-xxx | |
| | | | REVISION | |