

ACCESSORIES

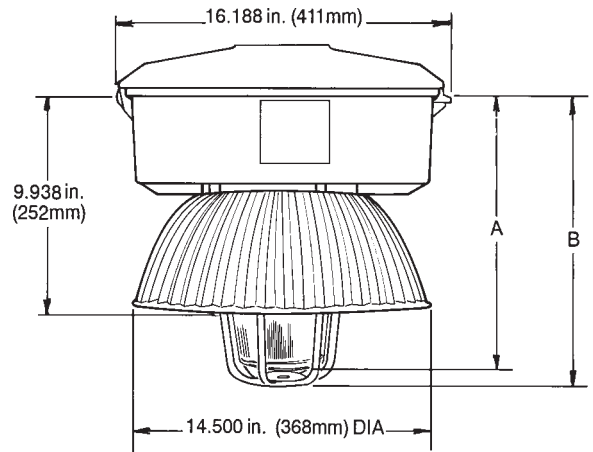
REFER TO ACCESSORY INDEX TO MATCH ACCESSORY WITH PRODUCT.
ILLUSTRATIONS SHOWN ARE TYPICAL REPRESENTATIONS.

DOME REFLECTOR

	9 in. (229mm)	7 in. (179mm)
A	13.250 in. 337mm	11.750 in. 298mm
B	13.625 in. 346mm	12.125 in. 308mm

• **H2000-001**

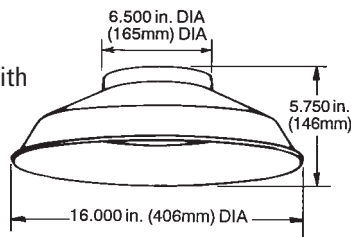
With ALGLAS® finish. Use with globe type optical only.



H2000-001

• **H7000-001**

Standard reflector. Aluminum with highly reflective white paint. Not available with wall mounting.



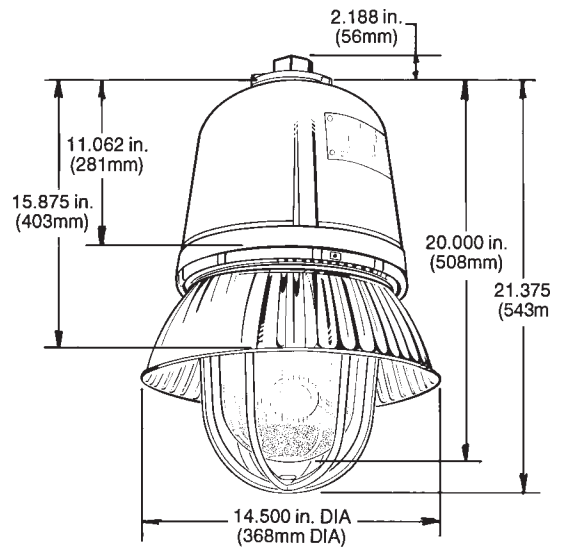
H7000-001
H8000-001

• **H8000-001**

Standard reflector. Aluminum with highly reflective white paint.

• **H9000-001**

With ALGLAS® finish.



H9000-001

FUSE KIT (LESS FUSE[S])

For Non-hazardous areas only

• **H5000-FK1**

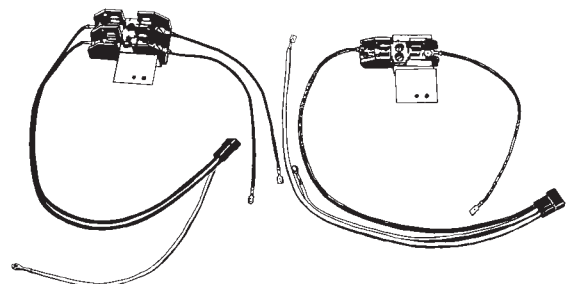
Single

• **H5000-FK2**

Double

Double

Single



® Registered Trademark of Underwriters Laboratories
 ® Registered Trademark of Underwriters Laboratories of Canada
 ® Registered Trademark of General Electric Company
 ™ Registered Trademark of General Electric Company
 Data subject to change without notice