

Catalog Number
Notes
Type

FEATURES & SPECIFICATIONS

INTENDED USE — For steel or concrete poles.

CONSTRUCTION — Steel: Body is galvanized steel tube (per ASTM A-123) constructed from A500 Grade B steel. Welding follows industry standards best practices. Arms are galvanized after fabrication.

Must specify finish. Optional polyester powder and red primer paint finishes available

INSTALLATION — Mounting hardware included..

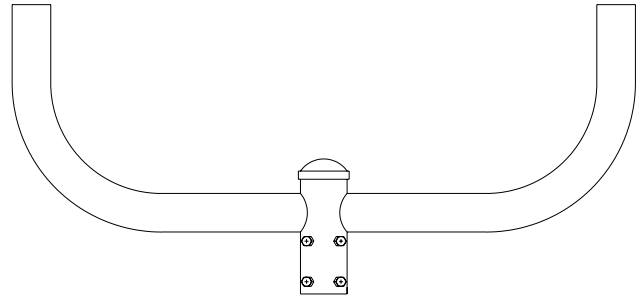
WARRANTY — 1-year limited warranty. Complete warranty terms located at: www.acuitybrands.com/CustomerResources/Terms_and_conditions.aspx

NOTE: Actual performance may differ as a result of end-user environment and application. Specifications subject to change without notice.

Round Bullhorn

BS

STEEL (BS) ROUND BULLHORN



(See next pages for dimensions and drawings.)

ORDERING INFORMATION

Lead times will vary depending on options selected. Consult with your sales representative.

Example: BS28 T20 TD25 DDB

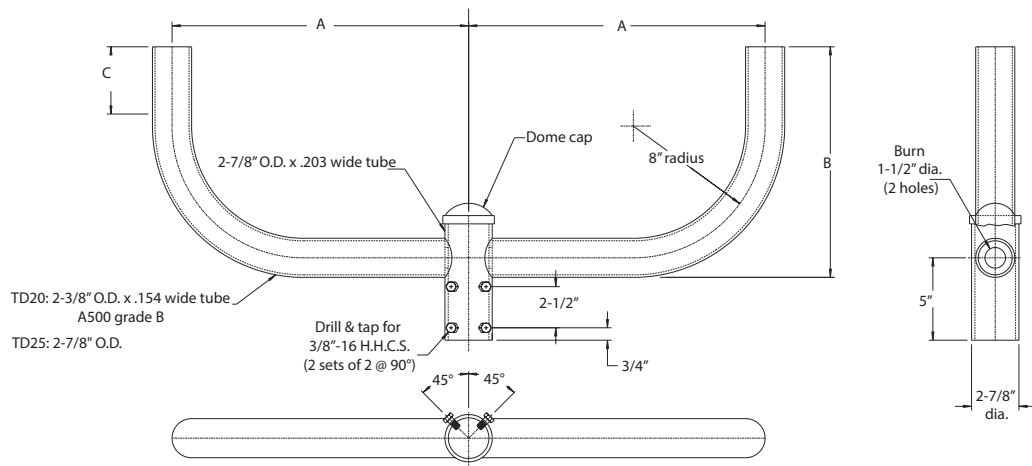
Series	Pole tenon size ²	Fixture tenon slipfitter size ³	Finish ⁴
BS28 2 in line	T20 2-3/8" O.D.	TD20 2-3/8" O.D.	<u>Standard colors</u> DDB Dark bronze DWH White DBL Black DNA Natural aluminum GALV Galvanized steel <u>Primer finish</u> DPRM Red primer
BS29 2 at 90°	T25 2-7/8" O.D.	TD25 2-7/8" O.D.	
BS32 3 at 120°	T35 4" O.D.		
BS38 3 in line			
BS38X 3 in line ¹			
BS39 3 at 90°			
BS48 4 in line			
BS49 4 at 90°			

NOTES:

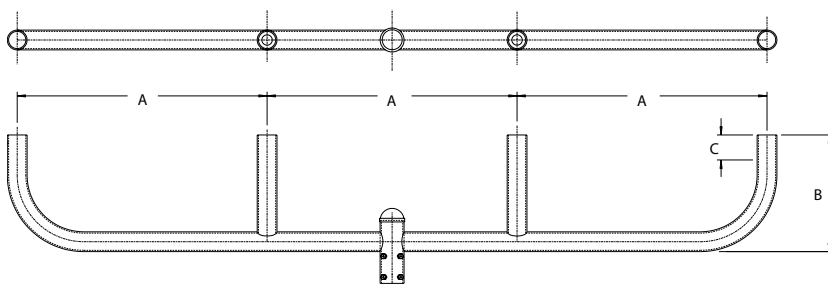
- Center tenon has extended height.
- Required: Size of tenon on pole.
- Required: TD20 or TD25. Tubing O.D will be the same for all tenons on the specified bullhorn. Reference fixture spec sheet for O.D. requirements.
- Finish must be specified. Additional colors available; see www.lithonia.com/archcolors or the Architectural Colors brochure (Form No. 794.3).

BS Bullhorn, Steel, Fiberglass or Concrete Poles

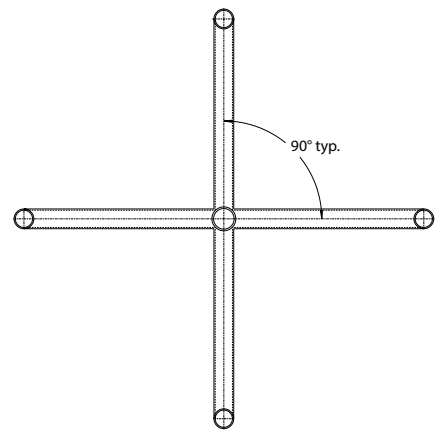
DIMENSIONS — Dimensions table next page



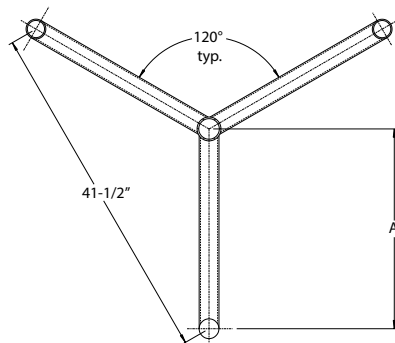
BS28



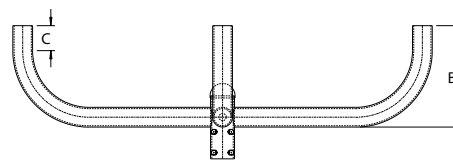
BS48



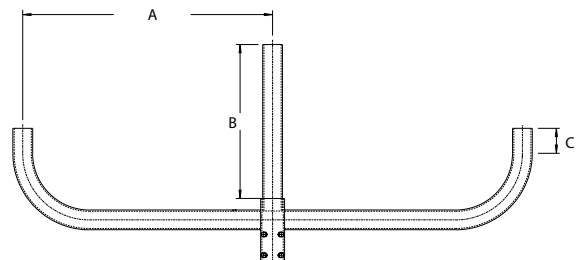
BS49



BS32



BS38



BS38X

BS Bullhorn, Steel, Fiberglass or Concrete Poles

TECHNICAL INFORMATION									
Catalog number	Nominal arm length (ft)	Dimensions (in.)			Bracket EPA (ft ²)	Bracket weight (lbs)	Max. fixture EPA ft. 2 @ 100 mph w/ 1.3 gusts	Max. fixture weight (lbs)	ANSI C136.3 (1995) class rating @ 80 mph
		A	B	C					
BS28	1-1/2	18	14	3	1.0	20	7.3	150	-
BS28 T25	1-1/2	18	14	3	1.0	22	7.3	150	-
BS28 T35	1-1/2	18	14	3	1.0	25	7.3	150	-
BS29	2	24	14	3	1.0	20	7.3	150	-
BS29 T25	2	24	14	3	1.0	22	7.3	150	-
BS29 T35	2	24	14	3	1.0	25	7.3	150	-
BS32	2	24	14	3	1.3	33	4.7	150	-
BS32 T25	2	24	14	3	1.3	35	4.7	150	-
BS32 T35	2	24	14	3	1.3	39	4.7	150	-
BS38	2-1/2	30	14	3	1.6	31	4.7	150	-
BS38 T25	2-1/2	30	14	3	1.6	33	4.7	150	-
BS38 T35	2-1/2	30	14	3	1.6	37	4.7	150	-
BS38X	2-1/2	30	18	3	1.7	34	4.7	150	-
BS38X T25	2-1/2	30	18	3	1.7	36	4.7	150	-
BS38X T35	2-1/2	30	18	3	1.7	40	4.7	150	-
BS39	2	24	14	3	1.3	33	4.7	150	-
BS39 T25	2	24	14	3	1.3	35	4.7	150	-
BS39 T35	2	24	14	3	1.3	39	4.7	150	-
BS48	4	30	14	3	2.3	44	3.4	125	-
BS48 T25	4	30	14	3	2.3	46	3.4	125	-
BS48 T35	4	30	14	3	2.3	55	3.4	125	-
BS49	2	24	14	3	1.6	43	3.5	150	-
BS49 T25	2	24	14	3	1.6	45	3.5	150	-
BS49 T35	2	24	14	3	1.6	47	3.5	150	-

CAUTION:

The arms described herein are designed for applications in areas of normal winds. Consult the factory prior to the design of systems to be mounted on structures such as bridges or buildings, or areas known to have abnormal winds such as airports or coastal areas. Failure to consider these factors in the system design could result in the failure of the pole or mast arm, and consequently personal injury or property damage.