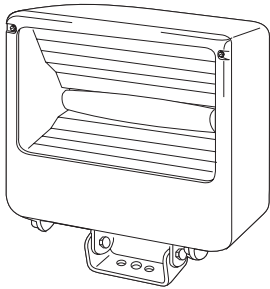
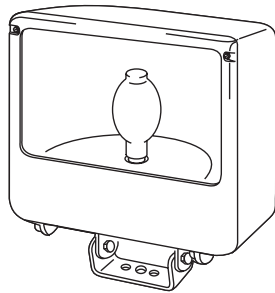


INSTALLATION INSTRUCTIONS

Upon receipt of fixture and accessories (packed separately) thoroughly inspect for any freight damage which should be brought to the attention of the delivery carrier. Compare the catalog description listed on the packing slip with the fixture label on the inside of the housing to be sure you have received the correct merchandise.

TFL Small Flood



IMPORTANT SAFETY INSTRUCTIONS

(For Your Protection, Read Carefully)

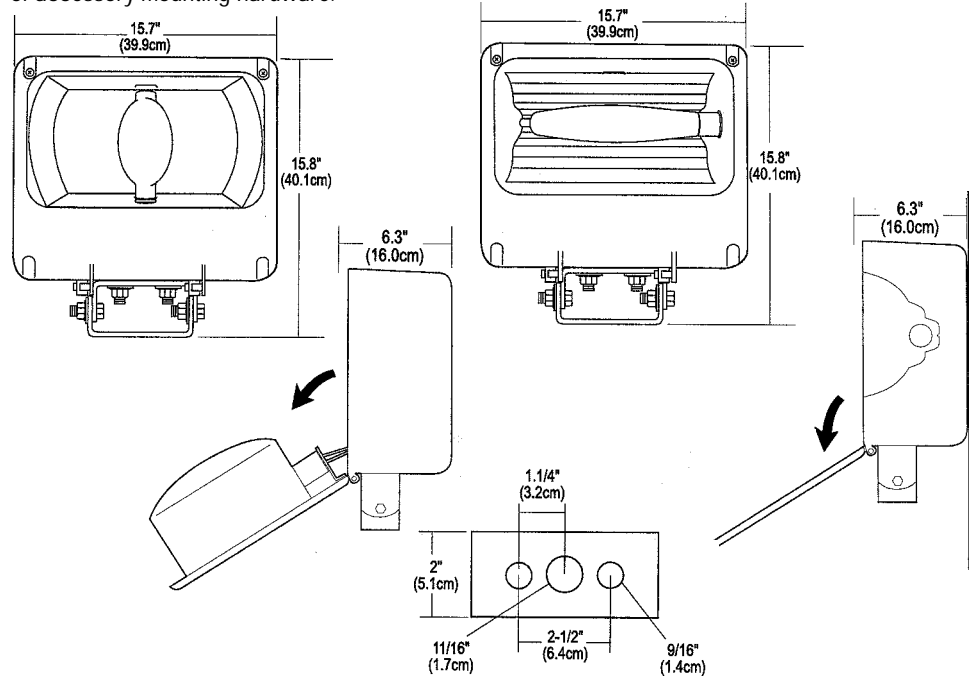
- This fixture must be wired in accordance with the National Electrical Code and applicable local codes and ordinances.
- Proper grounding is required to ensure personal safety.
- Use approved connectors for all electrical connections.
- ALL work should be done by a qualified electrician.
- **WARNING:** NEVER disconnect any component while power supply is engaged.

Prior to Installation

Read carefully before installing light fixtures. If you do not understand these instructions, please contact your local Lithonia distributor before installing.

INSTALLATION

The standard fixture comes with a yoke mounting bracket which can easily be mounted to a variety of accessory mounting hardware.



1. Mount floodlight to desired mounting hardware. (See instruction sheet for Floodlighting Accessory/Mounting).
2. Loosen the 2 stainless steel captive screws in front housing and allow fixture to hang open.
3. Run service wire through cord entry on bottom of housing. Make wire connections. On multiple voltage fixture, crimp all unused fixture leads individually.
4. Lamp fixture and close front housing and tighten the 2 stainless steel captive screws.

OPTIONS

IS - Integral Slipfitter

The IS should be securely tightened to the end of a tenon or pipe 2" to 2-1/2" (2-3/8" to 2-7/8" O.D.). Be certain the pivot retainer bolt is tightened securely after aiming is accomplished.

SF/DF - Single or Double Fusing

Fuseholders are mounted within the electrical compartment and are supplied complete with fuse(s). No installation required.

C62 - 2' 16-3 Pre-wired SEO Cord

Comes pre-wired from factory.

PER - Photo Electric Receptacle

When a PER receptacle is supplied with a multi-tap ballast, connect the black wire from the quick disconnect plug to the ballast lead marked with your system voltage. All other wiring is not changed.

QRS - Quartz Restrike

Comes prewired from factory. Observe lamp manufacturer's precautions when installing the quartz lamp.

Caution: Wattage of quartz lamp should not exceed HID lamp wattage. Maximum quartz lamp wattage, 250 watts.

LAMP INSTALLATION: Prior to installing the lamp in the fixture, check to be sure the lamp is of proper type and wattage. Screw the lamp securely into the socket, back the lamp out one to two turns, then screw the lamp back in, making sure it is secure. This properly seats the lamp in the socket.

WARNING: NEVER perform maintenance or cleaning while fixture is energized.

CAUTION: Observe lamp manufacturer's recommendations and restrictions on lamp operation, particularly ballast type, burning position, etc.

MAINTENANCE: Your Lithonia fixture is designed for years of trouble-free operation. For optimum performance, periodically clean reflector and lens with a nonabrasive cleaner.

TROUBLESHOOTING:

If this fixture fails to operate properly, check to make sure:

- The correct lamp is properly installed.
- The lamp is not faulty.
- The line voltage at the fixture is correct.
- The fixture is wired correctly.
- The fixture is grounded correctly.
- The fusing (optional) is correct and functional.

If all these variables have been checked and the fixture still does not operate properly, contact your local Lithonia Lighting distributor.