

**READ AND FOLLOW ALL SAFETY INSTRUCTIONS!
SAVE THESE INSTRUCTIONS AND DELIVER TO OWNER AFTER INSTALLATION**

IMPORTANT SAFETY INSTRUCTIONS

▲ WARNING

To reduce the risk of death, injury or property damage from fire, electric shock, cuts, abrasions, falling parts, and other hazards:

- Service of the equipment must be performed by qualified service personnel.
- Installation and maintenance must be performed by a person familiar with the construction and operation of this product and any hazards involved. All applicable codes and ordinances must be followed.
- Read this document before installing, servicing, or maintaining this equipment or installing a lamp. These instructions do not cover all installation, service, and maintenance situations. If your situation is not covered, or if you do not understand these instructions or additional information is required, contact *Lithonia Lighting* or your local *Lithonia Lighting* Distributor.
- Read and follow all warnings and instructions provided by the lamp manufacturer.

▲ WARNING

Before installing, servicing, or maintaining this equipment, follow these general precautions.

To reduce the risk of electrocution:

- Make sure the equipment is properly grounded.
- Always de-energize the circuit and/or equipment before connecting to, disconnecting from, or servicing the equipment.

To reduce the risk of fire:

- Keep material away that can burn from hot lamp.
- Make sure lamps are correctly installed.
- Use supply conductors with a minimum installation temperature rating as specified on equipment.

To reduce the risk of personal injury from cuts, abrasions, or falling parts:

- Wear gloves to prevent cuts or abrasions from sharp edges when removing from carton, handling and maintaining this equipment.
- Do not use abrasive materials, glass cleaners or other solvents on reflector or lens. These substances may damage equipment and cause parts to eventually break and fall.
- Do not install a damaged fixture.

▲ CAUTION: Observe lamp manufacturer's recommendations and restrictions on lamp operation, including but not limited to ballast type, burning position, replacement and cycling. Use only lamps that comply with applicable ANSI standards.

NOTICE: If lamp is marked  it contains mercury. Follow disposal laws. See www.lamprecycle.org

Lithonia Lighting, a division of *Acuity Brands Lighting*, Inc., assumes no responsibility for claims arising out of improper or careless installation or handling of this product.

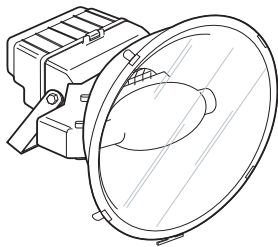
SAVE THESE INSTRUCTIONS

Lithonia Lighting Outdoor
One Lithonia Way, Conyers, GA 30012
Phone: 800-279-8041 Fax: 770-918-1209
www.lithonia.com

Part Number: RJ5210115 Rev C
Revision Date: 09-09-08

TSP Series

US Patent no. 6,190,023
Canada Patent no. 2,212,014



DELIVERY : Upon receipt of fixture and accessories (packed separately), thoroughly inspect for any freight damage. All damage should be reported to the delivery carrier. Compare the catalog description listed on the packing slip with the fixture label on the inside of the housing to be sure you have received the correct merchandise.

This fixture consists of three components. Be sure you have received the following:

1. Housing assembly, which includes:

- Ballast box
- Pre-assembled junction box
- Reflector mounting arm
- Trunnion

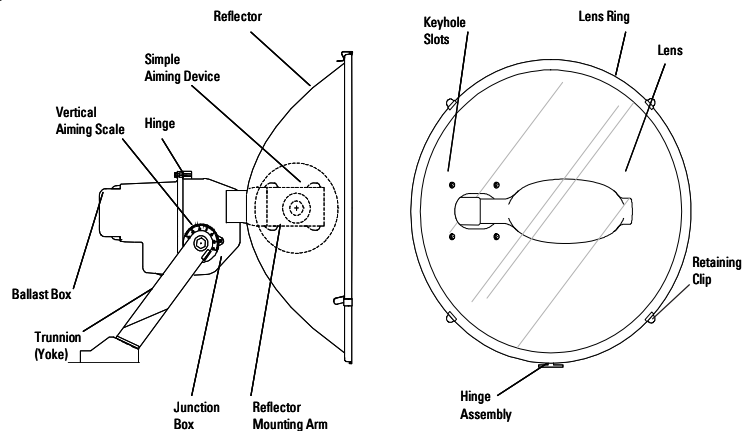
The hardware bag contains:

- Horizontal aiming scale
- 5/8" x 3" hex head bolt, nut, washer, & lock washer
- Simple aiming device and #8 machine screw

2. Optical Assembly, which includes:

- Reflector
- Glass lens assembly

3. Cross-Arm Adaptor, (Use for horizontal mounting 45° from horizontal)



INSTALLATION:

1. Mounting: Mount the yoke to the pole bracketry (by others) using the 5/8" hex head bolt, lock washer and nut (provided). Tighten to 30 ft-lbs; do not over tighten. Over tightening will cause stripping and void all warranties. If the TSP is to be mounted inverted, remove the 1/4" bolt (keep for reinstallation) at the vertical degree aiming scale, loosen the 1/2" hex head yoke bolts, rotate the housing until inverted, replace the 1/4" bolt, and tighten the 1/2" yoke bolts. Tighten to 30 ft-lbs; do not over tighten. Over tightening will cause stripping and void all warranties.
2. Ensure that the four 1/4" x 1/2" bolts in the reflector arm are backed out approximately 1/4".
3. Remove the 1/4" bolt from the center of the junction box (keep for reinstallation).
4. Mounting the reflector: Fit the keyhole slots in the reflector over the bolts in the reflector mounting arm, and slide into place. The keyhole slots will hold the reflector in place. Install the 1/4" bolt through the center of the reflector and into the junction box. Tighten all five bolts. Do not over tighten. Over tightening will cause stripping and void all warranties.
5. Lamp installation: Prior to installing the lamp in the fixture, check to make sure that all power is disconnected. Ensure that the lamp source and wattage corresponds with the fixture label. To properly seat the lamp into the fixture, screw the lamp securely into the socket. Back the lamp out one or two turns, and then screw the lamp back into the socket, making sure that it is secure.
6. Install the lens (if the lens is not factory installed): Remove bolt (keep for reinstallation) securing lens trim ring. Reinstall bolt through the lens trim ring and reflector hinge bracket. Secure nut back onto bolt.
7. Make the supply connections: Use proper cable (based on fixture voltage - ballast cables are labeled) with cable bushing provided. Make supply connections through wire entry hole. Hinge ballast box onto junction box, rotate ballast box clock-wise, and tighten 1/4" captive bolt; do not over tighten. Over tightening will cause stripping and void all warranties.
8. Simple Aiming Device: A simple aiming device is included to assist in positioning luminaire. It should be attached with the #8 machine screw (provided) to the reflector mounting arm (provided).

NOTE: Make all necessary wiring connections, observing proper voltage and polarity. Ensure that wires are not being pinched. Be certain that the green lead from the fixture is connected to the supply ground.

TAPPED BALLAST: On the 120V and 277V systems, connect voltage supply lead to fixture lead marked with corresponding voltage, then connect neutral supply lead to fixture marked COM. On other voltage systems, connect a supply lead to the corresponding fixture lead marked with proper voltage, and connect the remaining supply lead to fixture lead marked COM. On multiple voltage fixtures, insulate all unused fixture wires individually using approved electrical wire nuts (not provided).

Lithonia Lighting Outdoor

One Lithonia Way, Conyers, GA 30012
Phone: 800-279-8041 Fax: 770-918-1209
www.lithonia.com

Part Number: RJ5210115 Rev C
Revision Date: 09-09-08