

FEATURES & SPECIFICATIONS

INTENDED USE — Ideal for signs, flags, building facades and landscaping.

CONSTRUCTION — Compact NEMA heavy-duty construction. Die-cast aluminum housing & front bezel. Bezel removable via position-oriented hinge-cam design. Lens is thermal and shock-resistant, 1/8" clear tempered glass.

Finish: Standard finish is dark bronze (DDB) corrosion-resistant polyester powder finish with other architectural colors available.

OPTICS — Three distributions from very wide to medium narrow are available. RB and RG reflectors (horizontal lamp) feature one-piece anodized aluminum-faceted parabolic construction (semi-specular or specular) for high performance and efficiency. TA reflectors (vertical lamp) are highly effective die-formed semi-specular aluminum.

ELECTRICAL — Ballast: All other voltages are standard high reactance, high power factor. Metal halide — High reactance, high power factor for 70-100W and standard with pulse start ignitor technology. All ballasts are 100% factory-tested. Electrical components are mounted to the cast aluminum housing, promoting maximum heat dissipation.

Socket: Porcelain, horizontally- or vertically-oriented, medium base socket with copper alloy, nickelplated screw shell with center contact.

INSTALLATION — Die-cast aluminum 1/2" NPSM threaded mounting knuckle is standard. Steel painted mounting yoke is optional.

LISTINGS — UL Listed. CSA or NOM Certified (see Options). UL Listed for wet locations and 25°C ambient temperature. IP65 rated.

WARRANTY — 1-year limited warranty. Complete warranty terms located at www.acuitybrands.com/CustomerResources/Terms_and_conditions.aspx

Note: Actual performance may differ as a result of end-user environment and application. Specifications subject to change without notice.

Catalog Number
Notes
Type



RB, RG



TA

CONTOUR
SERIES

Floodlighting

TFM

METAL HALIDE: 50-100W
HIGH PRESSURE SODIUM: 150W

Specifications

Height (includes knuckle):
10-5/8 (26.9)

Width: 10-5/8 (26.9)

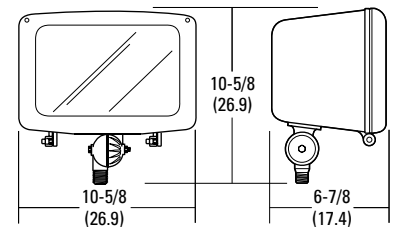
Depth: 6-7/8 (17.5)

*Weight: 14.05 lbs (6.37kg)

EPA: 0.5 ft²

*Weight as configured in example below.

All dimensions are inches (centimeters) unless otherwise specified.



ORDERING INFORMATION

For shortest lead times, configure product using **standard options (shown in bold)**.

Example: TFM 100M RB TB LPI

TFM	Series	Wattage	Distribution	Voltage	Ballast	Mounting	Options	Finish ⁹	Lamp ¹¹
TFM	Metal halide 70M¹ 100M Ceramic metal halide 70MHC 100MHC High pressure sodium 150S		TA (7 X 6)	120	(blank) Magnetic ballast CWI Constant wattage isolated ⁴ XHP High-reactance HPF ballast ⁵	Shipped installed (blank) Knuckle YK Yoke mounting Shipped separately ⁶ TFMTS Tenon slip-fitter (2-3/8" OD tenon)	Shipped installed in fixture SF Single fuse (120, 277, 347V) ⁷ DF Double fuse (208, 240, 480V) ⁷ PE Photocell C62 2' 16-3 SEO cord prewired C42 2' 14-3 SEO cord prewired C22 2' 12-3 SEO cord prewired CSA CSA Certified NOM NOM Certified ⁴ Shipped separately ^{6,8} WG Wire guard VG Vandal guard UV Upper visor FV Full visor	(blank) Dark bronze DNA Natural aluminum DBL Black DMB Medium bronze DGC Charcoal gray DSS Sandstone DWH White CRT Non-stick protective coating ¹⁰ <u>Super durable finishes</u> DDBXD Dark bronze DBLXD Black DNAXD Natural aluminum DWHXD White DDBTXD Textured dark bronze DBLTXD Textured black DNATXD Textured natural aluminum DWHGXD Textured white	LPI Lamp included L/LP Less lamp
			RB (6 X 6)	208 ²					
			RG (3 X 3)	240 ²					
				277					
				347					
				480²					
				TB³					
				23050HZ ³					

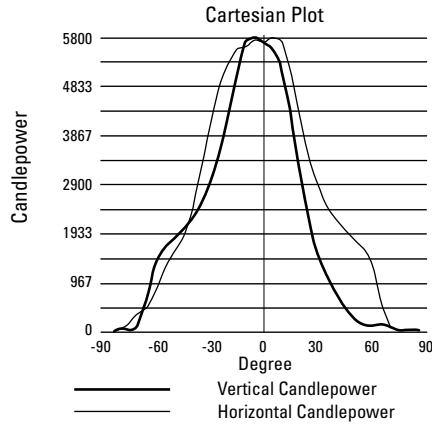
Notes

- Not available with 480.
- Must specify CWI for use in Canada.
- Optional multi-tap ballast (120, 208, 240, 277V). In Canada 120, 277, 347V; ships as 120/347.
- Consult factory for available wattages.
- XHP is available with 50S or 70S, 120V only.

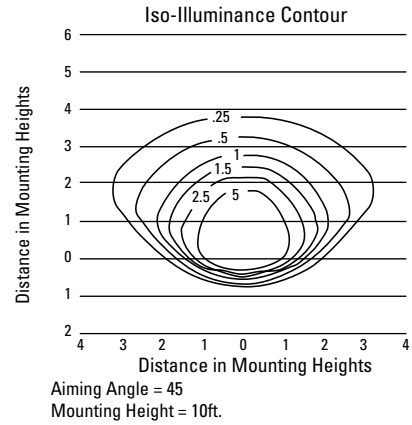
- May be ordered as an accessory. Must specify finish when ordered as an accessory.
- Must specify voltage. Not available with TB, or with TA distribution.
- Prefix with TFM when ordered as an accessory.
- See www.lithonia.com/archcolors for additional color options.
- Black finish only.
- Must be specified. L/LP not available with MHC.

TFM Floodlight

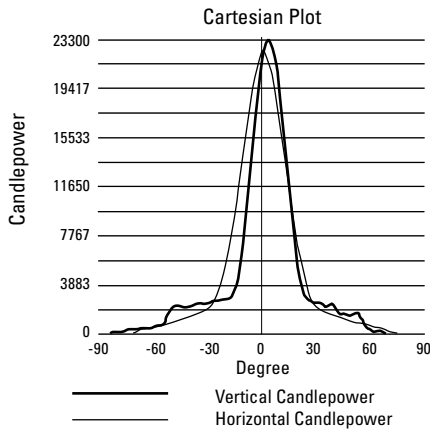
TFM 150S TA, (vertical lamp), 150W high pressure sodium lamp, 15800 rated lumens, test no. 98061202



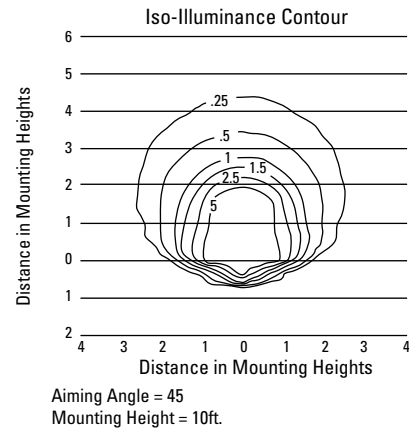
Nema type: 7H x 6V
 Beam spread: 131 H x 103V
 Beam efficiency 10%: 48.2%
 Beam flux 10% (lumens): 7622
 Maximum candela: 5800



TFM 150S RG, (vertical lamp), 150W high pressure sodium lamp, 16000 rated lumens, test no. 97060903.



Nema type: 4H x 4V
 Beam spread: 57 H x 70V
 Beam efficiency 10%: 35.0%
 Beam flux 10% (lumens): 5604
 Maximum candela: 23300



Notes

- 1 Photometric data for other distributions can be accessed at www.lithonia.com.
- 2 Tested to current IES and NEMA standards under stabilized laboratory conditions. Various operating factors can cause differences between laboratory data and actual field measurements. Dimensions and specifications on this sheet based on the most current available data and are subject to change without notice.
- 3 For electrical characteristics, consult outdoor technical data specification sheets on www.lithonia.com.

Mounting Height Correction Factor

(Multiply the fc level by the correction factor)

10' mounting height	20' mounting height
15 ft. = .44	10 ft. = .4
20 ft. = .25	15 ft. = 1.78
25 ft. = .16	25 ft. = .64

$$\left(\frac{\text{Existing Mounting Height}}{\text{New Mounting Height}} \right)^2 = \text{Correction Factor}$$