

**READ AND FOLLOW ALL SAFETY INSTRUCTIONS!  
SAVE THESE INSTRUCTIONS AND DELIVER TO OWNER AFTER INSTALLATION**

**IMPORTANT SAFETY INSTRUCTIONS**

**▲WARNING**

To reduce the risk of death, injury or property damage from fire, electric shock, cuts, abrasions, falling parts, and other hazards:

- Service of the equipment must be performed by qualified service personnel.
- Installation and maintenance must be performed by a person familiar with the construction and operation of this product and any hazards involved. All applicable codes and ordinances must be followed.
- Read this document before installing, servicing, or maintaining this equipment or installing a lamp. These instructions do not cover all installation, service, and maintenance situations. If your situation is not covered, or if you do not understand these instructions or additional information is required, contact *Lithonia Lighting* or your local *Lithonia Lighting* Distributor.
- Read and follow all warnings and instructions provided by the lamp manufacturer.

**▲WARNING**

Before installing, servicing, or maintaining this equipment, follow these general precautions.

To reduce the risk of electrocution:

- Make sure the equipment is properly grounded.
- Always de-energize the circuit and/or equipment before connecting to, disconnecting from, or servicing the equipment.

To reduce the risk of fire:

- Keep material away that can burn from hot lamp.
- Make sure lamps are correctly installed.
- Use supply conductors with a minimum installation temperature rating as specified on equipment.

To reduce the risk of personal injury from cuts, abrasions, or falling parts:

- Wear gloves to prevent cuts or abrasions from sharp edges when removing from carton, handling and maintaining this equipment.
- Do not use abrasive materials, glass cleaners or other solvents on reflector or lens. These substances may damage equipment and cause parts to eventually break and fall.
- Do not install a damaged fixture.

**▲CAUTION:** Observe lamp manufacturer's recommendations and restrictions on lamp operation, including but not limited to ballast type, burning position, replacement and cycling. Use only lamps that comply with applicable ANSI standards.

**NOTICE:** If lamp is marked  it contains mercury. Follow disposal laws. See [www.lamprecycle.org](http://www.lamprecycle.org)

*Lithonia Lighting*, a division of *Acuity Brands Lighting*, Inc., assumes no responsibility for claims arising out of improper or careless installation or handling of this product.

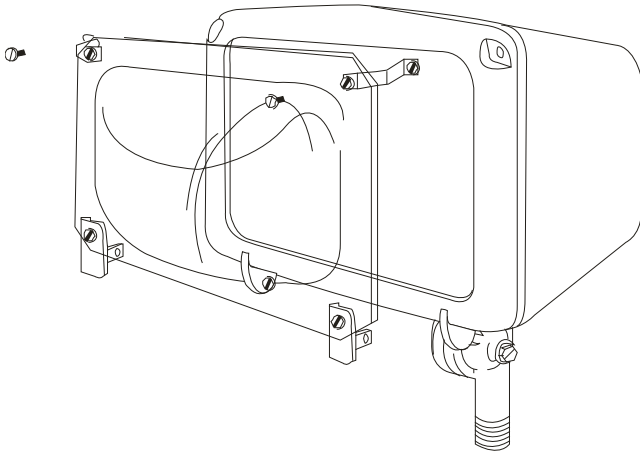
**SAVE THESE INSTRUCTIONS**

**Installation Instructions**  
**TFM Accessories**

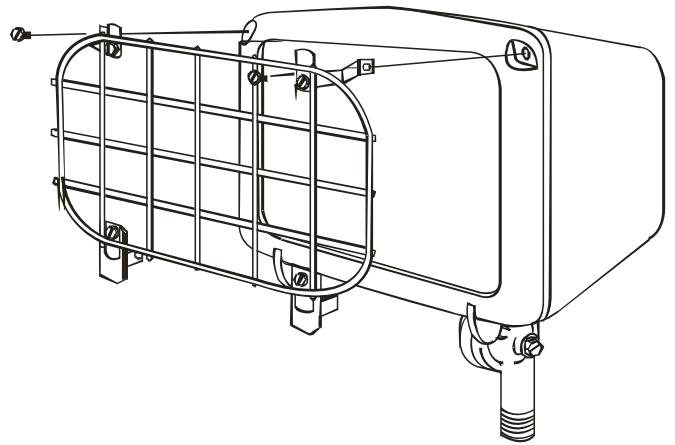
Delivery: Upon receipt of fixture and accessories (packed separately), thoroughly inspect for any freight damage. All damage should be reported to the delivery carrier. Compare the catalog description listed on the packing slip with the fixture label on the inside of the housing to be sure you have received the correct merchandise.

If your TFM did not come factory drilled to accept the side brackets, drill .140 diameter (9/64") holes. The inside of the front cover has locator holes to aid in drilling.

**TFMVG Polycarbonate Vandal Guard**

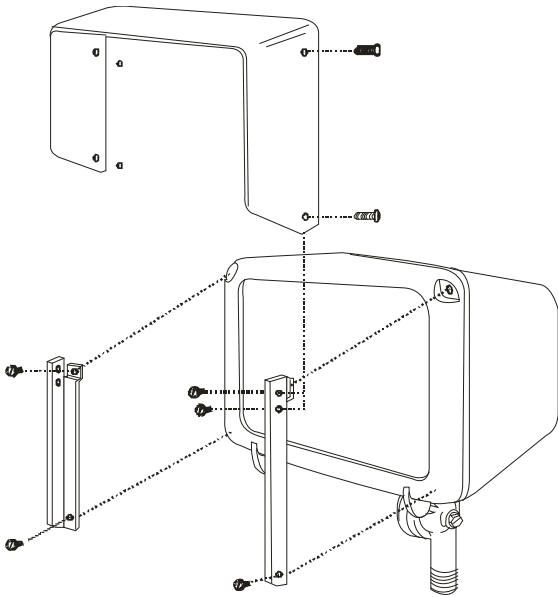


**TFMWG Wire Guard**



**Vandal Guard and Wire Guard**

1. Attach (2) top mounting brackets to the top of the guard and the (2) hinge brackets to the bottom of the guard using the (4) screws and nuts provided.
2. Slide hinge brackets over the hinge pins located at the bottom front of the fixture. Swing the guard over the front cover.
3. Remove the existing (2) closing screws from front cover. Retain these for reuse. Position top mounting bracket hole over the closing hole and reinstall the closing screw.
4. Re-tighten all screws once the guard has been secured to the front.

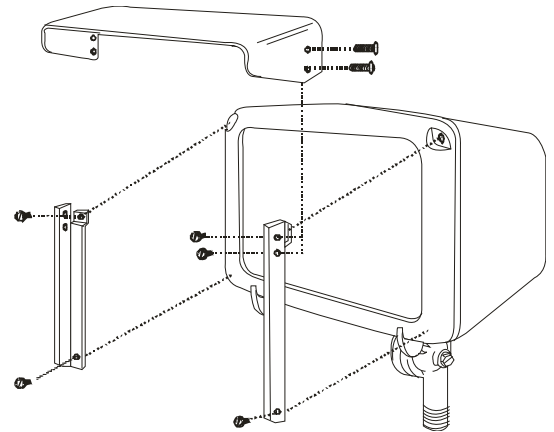


**TFMFV Full Visor**

**Full and Upper Visor**

1. Attach the visor to the (2) side brackets using (4) screws and nuts provided.
2. Remove (2) closing screws from the front cover.
3. Attach the side brackets to the front cover using (2) screws provided.
4. Line up side bracket holes to front cover holes and re-install front cover closing screws.

**TFMUV Upper Visor**



**NOTE: When using the upper visor or full visor with a vandal or wire guard, you must: 1) Attach visor first, then place guard on fixture; and 2) Use closing screws that are included in hardware bag.**