

FEATURES & SPECIFICATIONS

INTENDED USE

Provides general illumination in commercial and residential applications. Ideal for use in common areas, foyers, hallways, corridors, living rooms, bedrooms, offices, stairways and more.

CONSTRUCTION

The Aberdale Collection features a white acrylic diffuser with a cleanable linen fabric overlay for an updated traditional look.

OPTICS

The sconce produces up to 492 lumens and the flush mount produces up to 1,658 lumens at 50,000 hours (determined by fabric and color temp - see chart below).

ELECTRICAL

Fixture operates at 120 volts, 60Hz. Standard input = 24/9 watts (flush mount/sconce), 64 lumens per watt (flush mount).

Works with most standard incandescent dimmers (see list of approved dimmers).

INSTALLATION

All mounting hardware included for mounting to a standard junction box.

LISTINGS

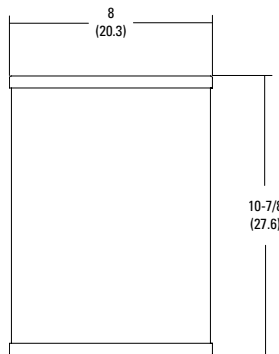
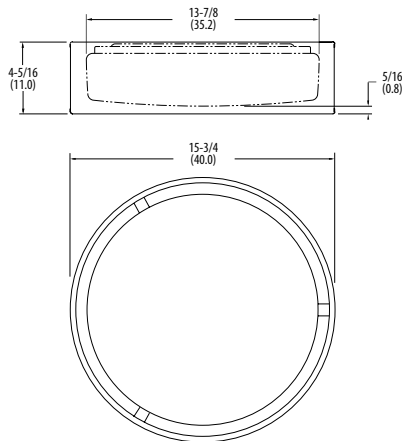
UL Listed to US and Canadian standards and suitable for damp locations. ENERGY STAR® certified. The FMABSL Sconce is ADA compliant.

WARRANTY

5-year limited warranty. Complete warranty terms located at: www.acuitybrands.com/CustomerResources/Terms_and_conditions.aspx

NOTE: Actual performance may differ as a result of end-user environment and application. All values are design or typical values, measured under laboratory conditions at 25°C. Specifications subject to change without notice.

Lumen Data				
		Brown (F20)	Tan (F21)	Lilac (F22)
Sconce/Flush Mount	3000K	267/1425	406/1658	290/1496
	4000K	290/1506	492/1609	330/1524



Specifications

Flush mount	Sconce
Depth: 4-5/16 (11.0)	Depth: 3-7/8 (9.9)
Diameter: 15-3/4 (40.0)	Width: 8 (20.3)
Weight: 3.25 lb (1.5 kg)	Length: 10-7/8 (27.6)
	Weight: 1.92 lbs (0.9 kg)

All dimensions are inches (centimeters) unless otherwise indicated.

Catalog Number
Notes
Type

Decorative Indoor

Aberdale Collection LED Flush Mount and Sconce



Brown



Tan



ORDERING INFORMATION

For shortest lead times, configure product using **bolded options**.

Example: FMABFL 16 20830 F21

Series	Module/CRI	Color temperature	Finish
FMABFL 16 LED flush mount, 16" diameter	208 >80	40 4000 K 35 3500 K ¹	F20 Brown F21 Tan
FMABSL 11² LED wall sconce, 11" tall	78 >80	30 3000 K 27 2700 K ¹	F22 Lilac

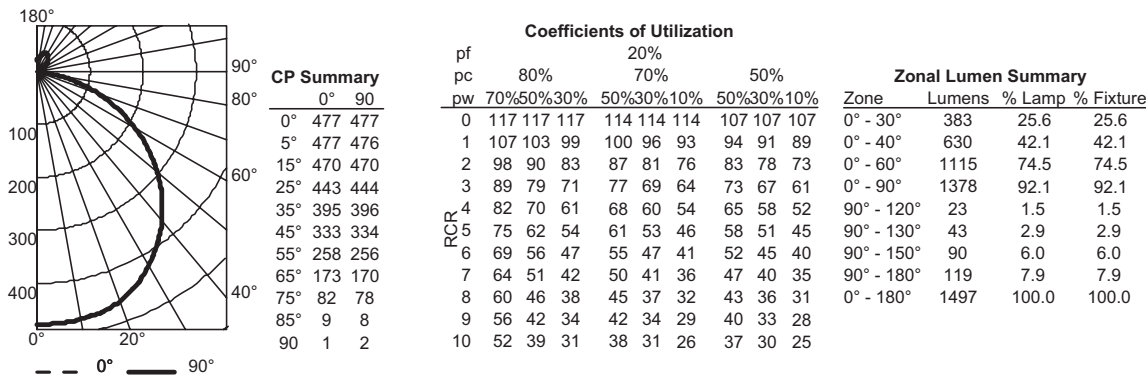
Notes

- Minimum 90-day lead time for non-standard color temperatures; minimum 50 order quantity.
- Sconce available in F20 (Brown) and F21 (Tan) finish only

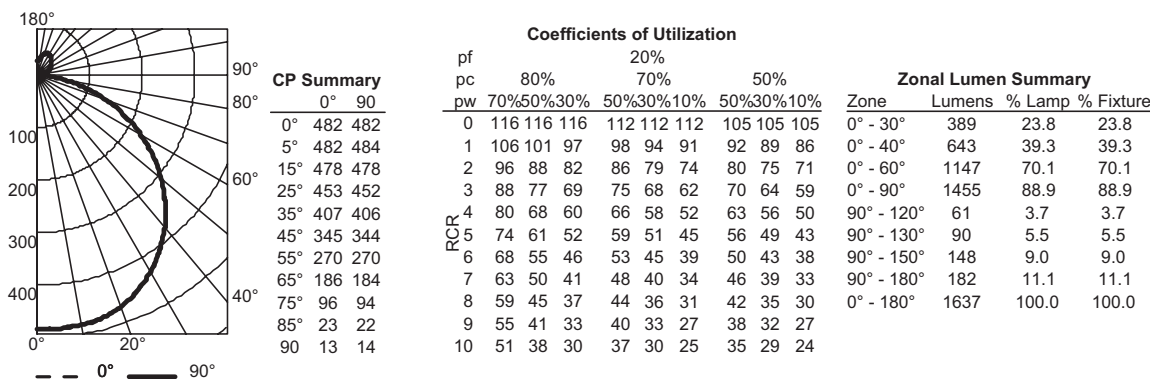
LED Flush Mount Aberdale Collection

PHOTOMETRICS

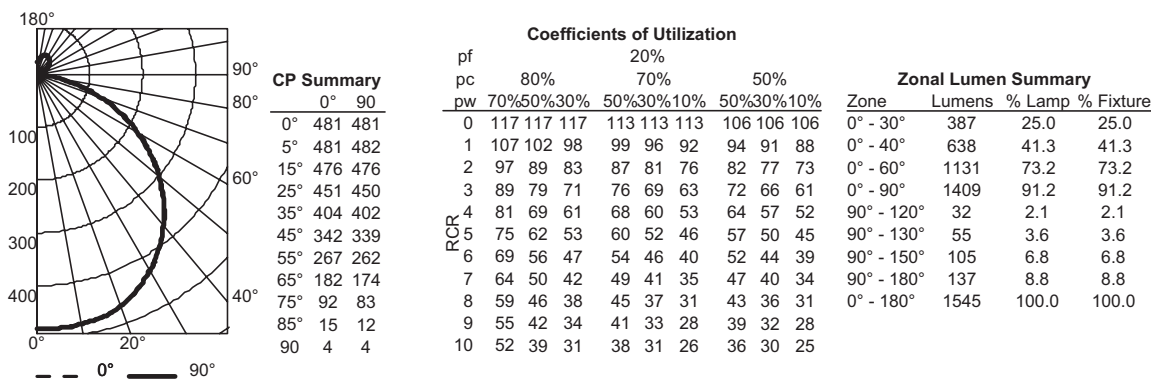
FMABFL 20830 F20, 1,497 delivered lumens, test no. LTL25731, tested in accordance to IESNA LM-79.



FMABFL 20830 F21, 1,637 delivered lumens, test no. LTL25729, tested in accordance to IESNA LM-79.



FMABFL 20830 F22, 1,545 delivered lumens, test no. LTL25730, tested in accordance to IESNA LM-79.



ADDITIONAL INFORMATION

SUGGESTED DIMMERS

The Aberdale Collection is designed to operate with most standard Triac Based dimmers and is not compatible with 0-10v dimming systems. The following is a list of dimmers tested and does not imply any guarantee or warranty of compatibility with a particular application. Unlisted dimmers do not imply non-compatibility.

Manufacturer	Part number(s)	Manufacturer	Part number(s)
Leviton	6633P	Lutron	DVELV 300P
	IPL06		Skylark 300P
	6674P		NTELV 300
	IPE04		NLV 600
	Trimatron 600W	Synergy	ISD 600 I 120