

## Passive Ceiling-Mount Telecommunications Enclosure

### APPLICATION

The Leviton Passive Ceiling-Mount Telecommunications Enclosure mounts in standard drop ceilings. The enclosure accommodates removable 19-inch rack-mount patch panels and wire management for use in zone cabling applications. Edge-protected cable access ports with fire-rated foam sealing kits make this enclosure ideal for use in plenum spaces.



### SPECIFICATION

The Passive Ceiling-Mount Telecommunications Enclosures shall be plenum rated and suitable for installation in air-handling spaces, and shall fit standard drop ceiling tile sizes. Fire-rated foam sealing kit shall be included. Units shall accommodate removable 19-inch rack-mount assemblies with space for passive devices, patch panels, and wire management for consolidation points or other zone cabling applications.

### FEATURES

- Fully-hinged drop-down doors support installed equipment and open to provide safe, easy access
- Enclosure installs flush with the drop ceiling for a clean look
- Includes two edge-protected cable access ports with fire-rated foam sealing kit
- 2' x 2' enclosure houses one removable rack-mount assembly with a total of 5RU of space
- Plenum-rated

### DESIGN CONSIDERATIONS

- Use for zone cabling applications such as consolidation points
- Use 3/8-inch threaded rods and hardware (sold separately) to support the enclosure within the drop ceiling
- Use #12-24 equipment mounting screws to attach patch panels (included with all Leviton patch panels)

### STANDARDS COMPLIANCE

- UL Listed

### PHYSICAL SPECIFICATIONS

Dimensions: See page two  
Weight: Unit weight: 38 lbs  
Door weight capacity: 25 lbs  
Maximum unit weight capacity: 75 lbs  
Materials: Enclosure is manufactured from .06" sheet aluminum with riveted construction  
Foam sealing kit is a polychloroprene compound

### COUNTRY OF ORIGIN

USA

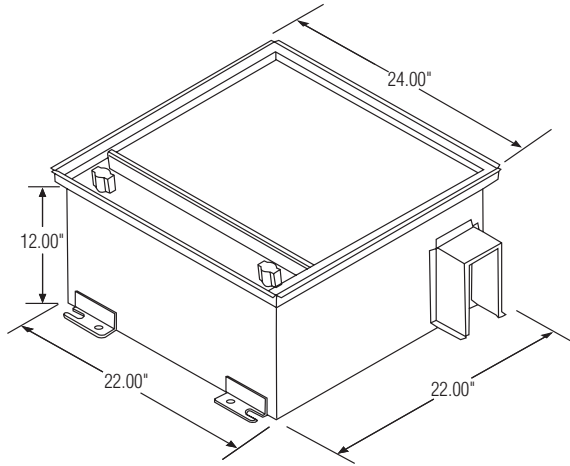
### WARRANTY INFORMATION

For a copy of Leviton product warranties, visit [www.leviton.com/warranty](http://www.leviton.com/warranty).

Z1000-PC2

**ELECTRONIC FILES**

For CAD files, typical specs, or technical drawings (.DXF, .DWG), visit [www.leviton.com](http://www.leviton.com).



**Z1000-PC2**

**PART NUMBERS**

Description	Part No.
Passive Ceiling-Mount Telecommunications Enclosure	Z1000-PC2



**Leviton Network Solutions**  
2222 - 222nd St. SE  
Bothell, WA 98021-4416

**Asia / Pacific**  
T +1.631.812.6228  
E [infoasean@leviton.com](mailto:infoasean@leviton.com)

**Canada**  
T +1.514.954.1840  
E [pcservice@leviton.com](mailto:pcservice@leviton.com)

**Caribbean**  
T +1.954.593.1896  
E [infocaribbean@leviton.com](mailto:infocaribbean@leviton.com)

**China**  
T +852.2774.9876  
E [infochina@leviton.com](mailto:infochina@leviton.com)

**Colombia**  
T +57.1.743.6045  
E [infocolombia@leviton.com](mailto:infocolombia@leviton.com)

tel 1-800-824-3005  
tel +1-425-486-2222  
[appeng@leviton.com](mailto:appeng@leviton.com)  
[www.leviton.com](http://www.leviton.com)

**Europe**  
T +33.6.8869.1380  
E [infoeurope@leviton.com](mailto:infoeurope@leviton.com)

**India / SAARC**  
T +971.4.886.4722  
E [infoindia@leviton.com](mailto:infoindia@leviton.com)

**Mexico**  
T +52.55.5082.1040  
E [lsamarketing@leviton.com](mailto:lsamarketing@leviton.com)

**Middle East & Africa**  
T +971.4.886.4722  
E [lmeinfo@leviton.com](mailto:lmeinfo@leviton.com)

**South Korea**  
T +82.2.3273.9963  
E [infokorea@leviton.com](mailto:infokorea@leviton.com)